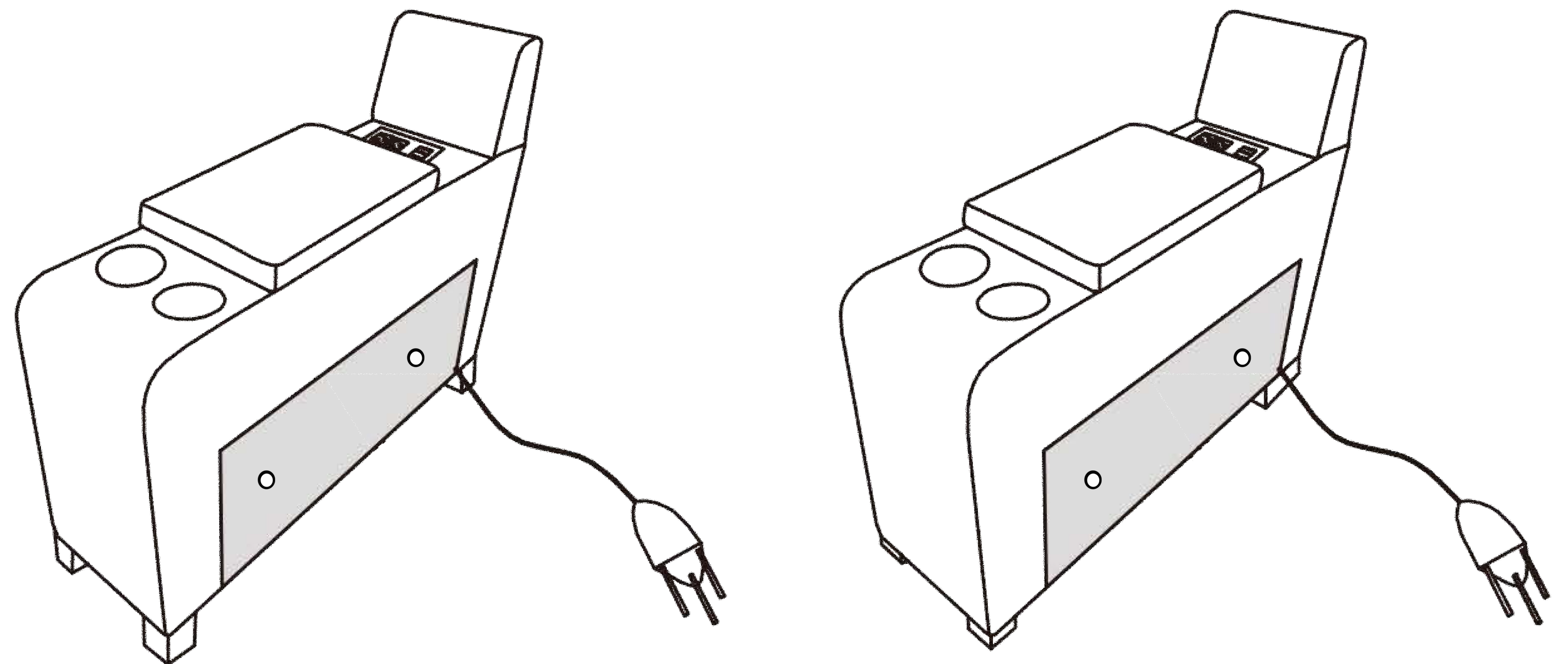


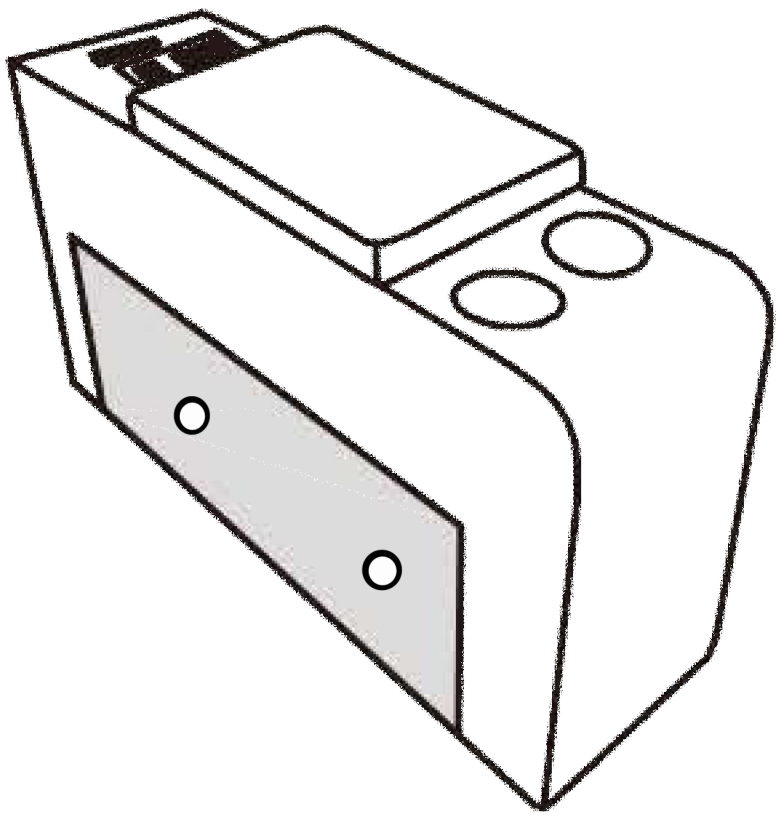
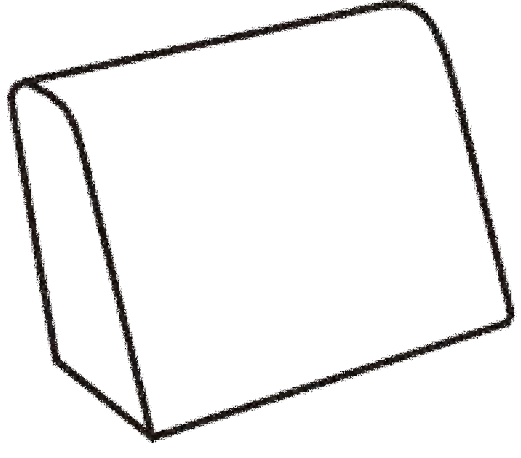
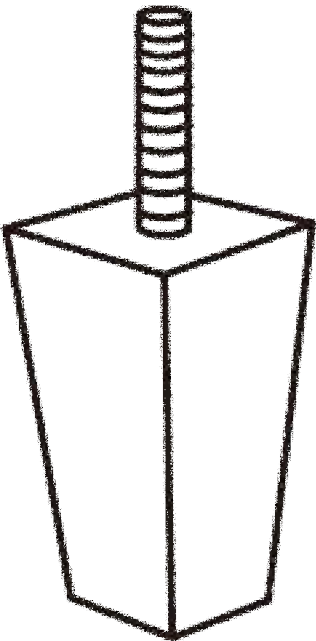
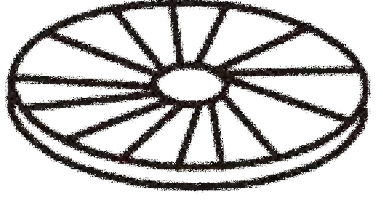
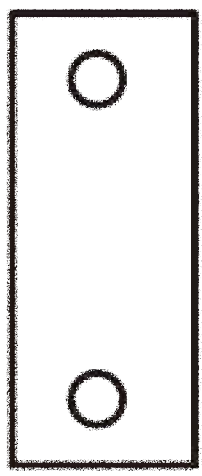
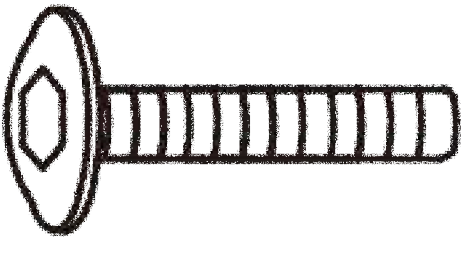

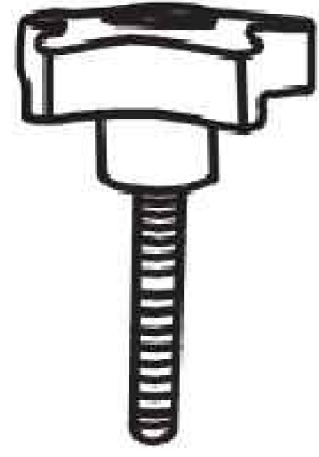
Note: You can choose different feet (High /Short style).

89420-CE/89425-CE ASSEMBLY INSTRUCTION

Console

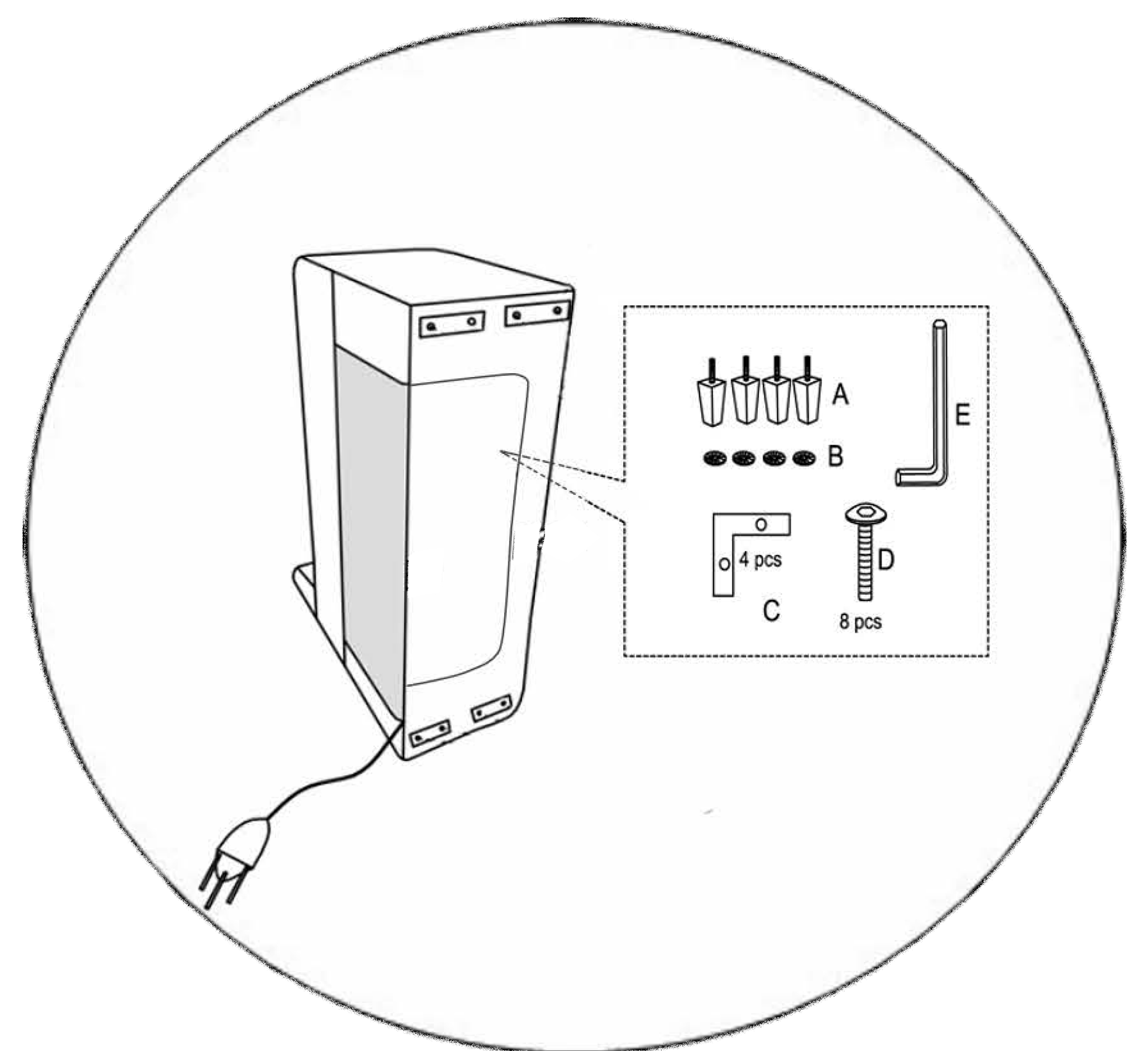
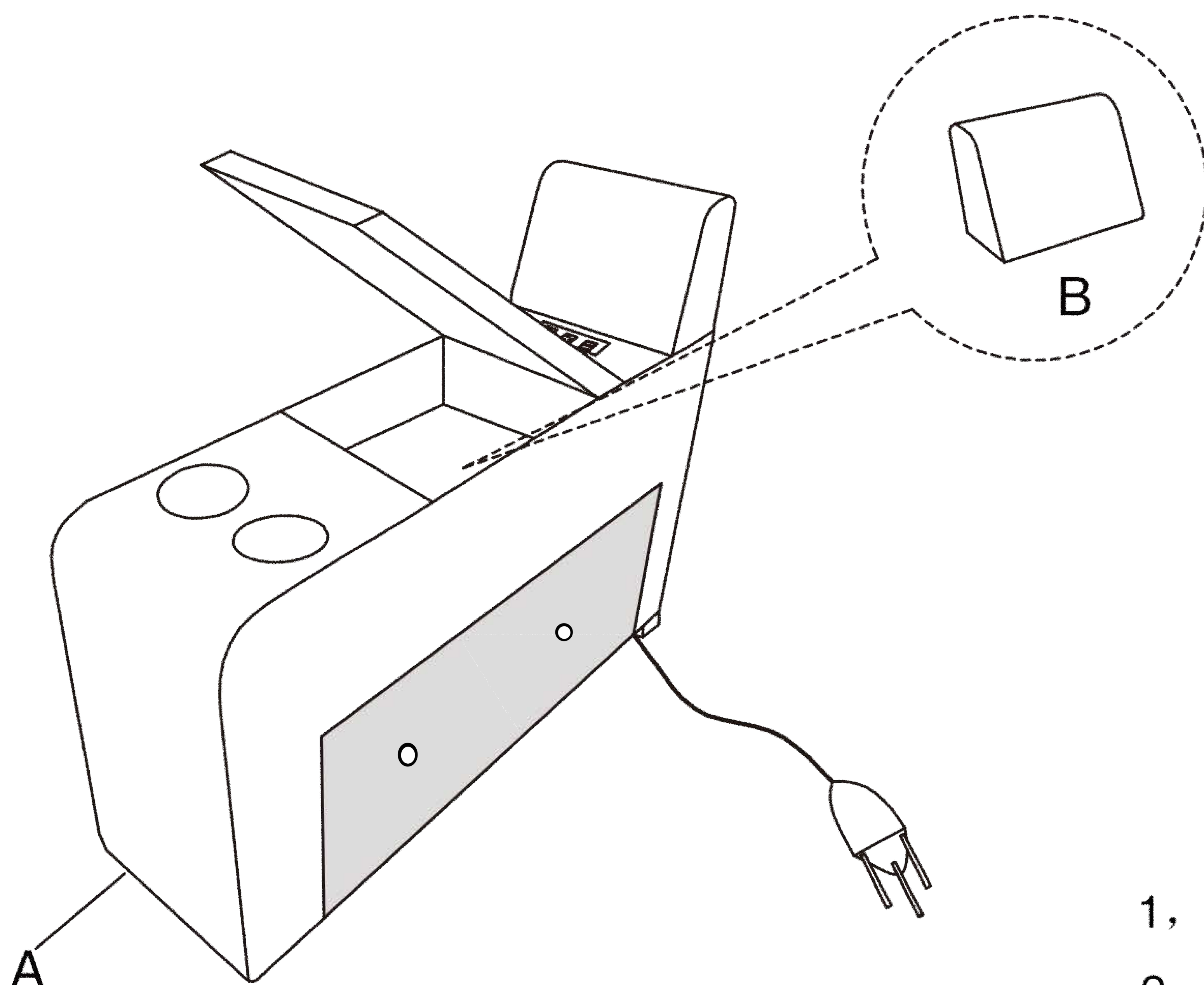


PARTS LIST

<p>Ax1</p>  <p>box</p>	<p>Bx1</p>  <p>back</p>	<p>Cx4</p>  <p>high foot</p>	<p>Dx4</p>  <p>washer</p>
<p>Ex4</p>  <p>short foot</p>	<p>Fx8</p>  <p>M6x35mm bolt</p>	<p>Gx1</p> 	<p>Hx4</p> 

ASSEMBLY

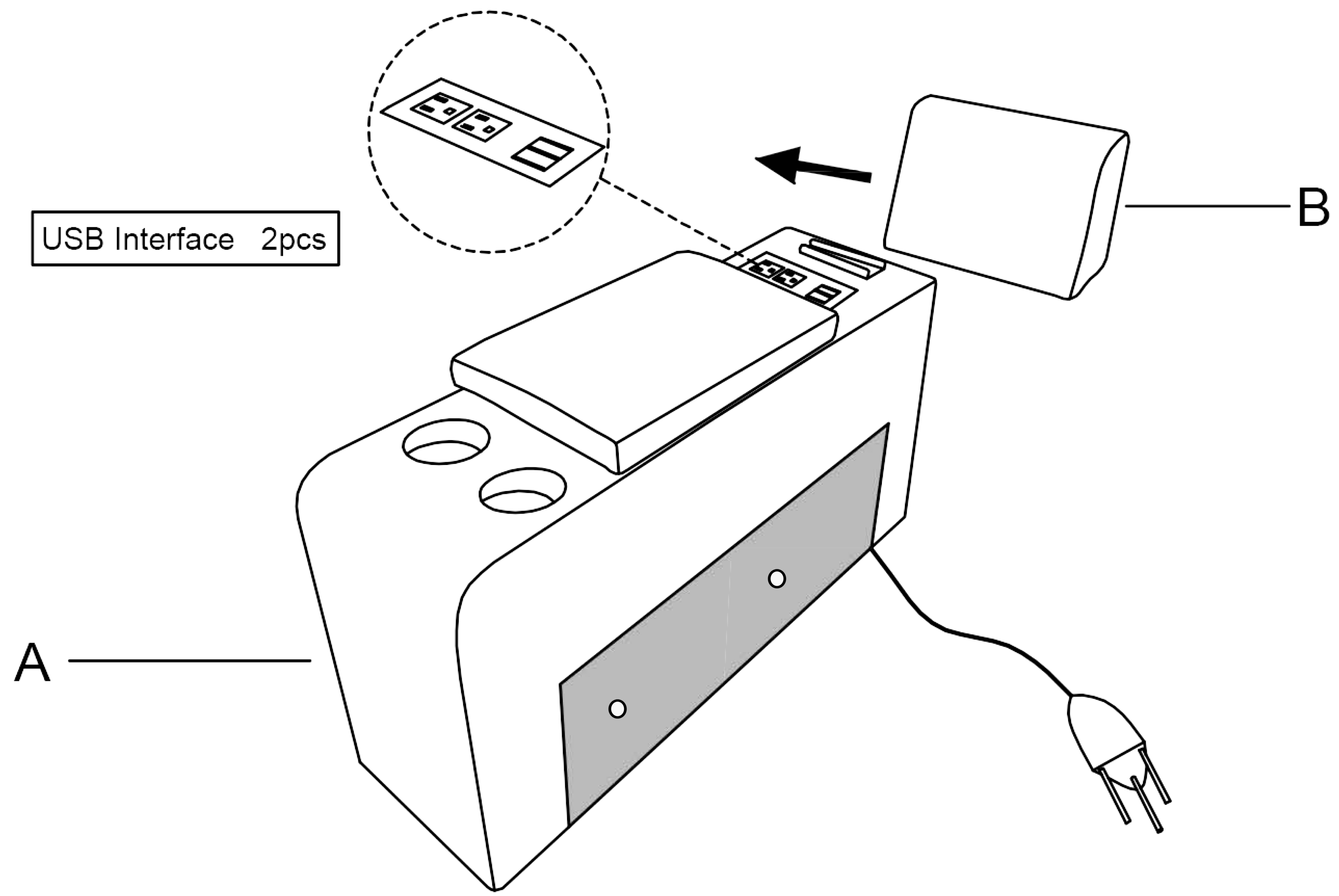
Step 1



IMPORTANT

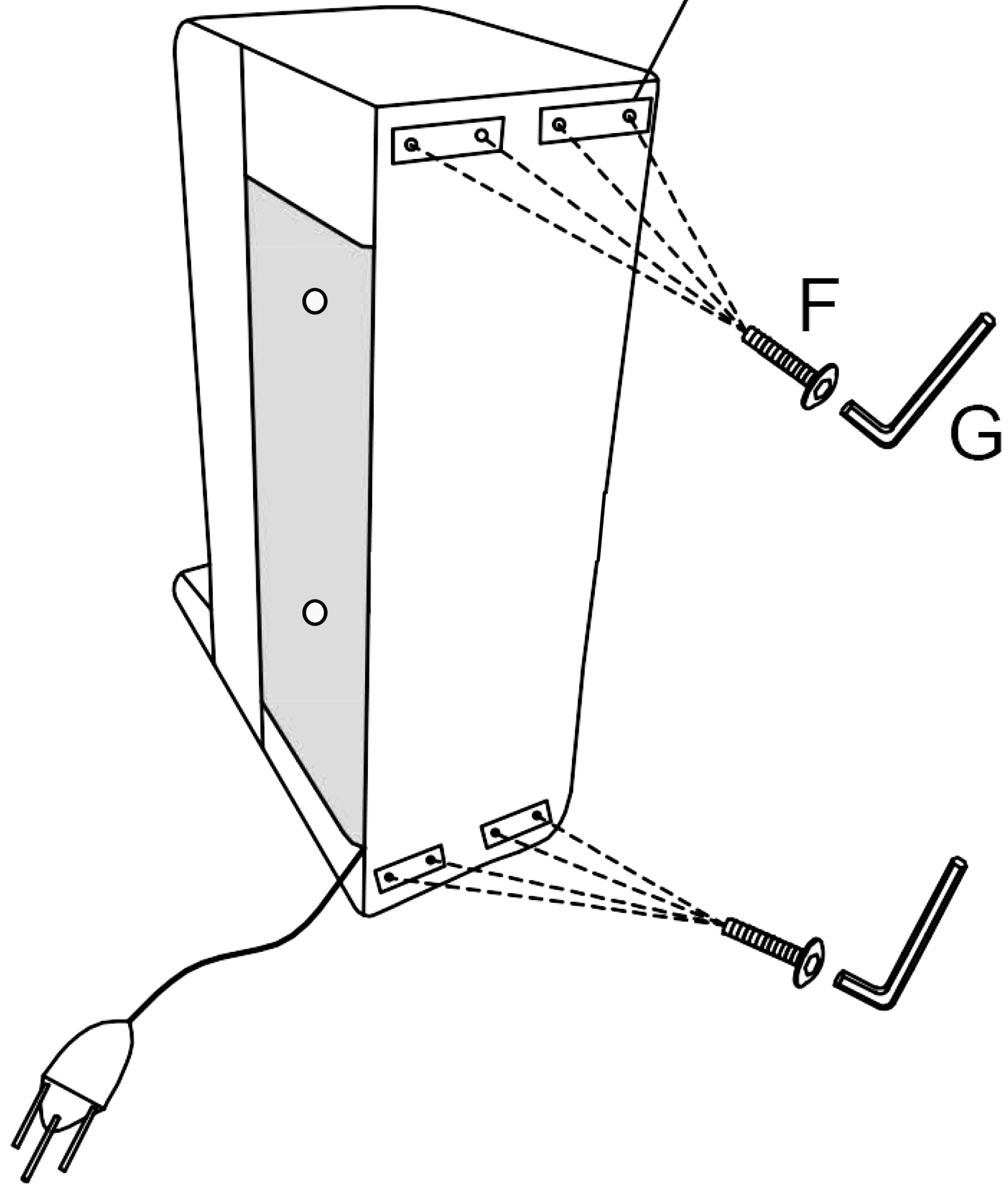
- 1, You can choose High/Short feet to assemble.
- 2, Open the cover of console and take the back.

Step 2



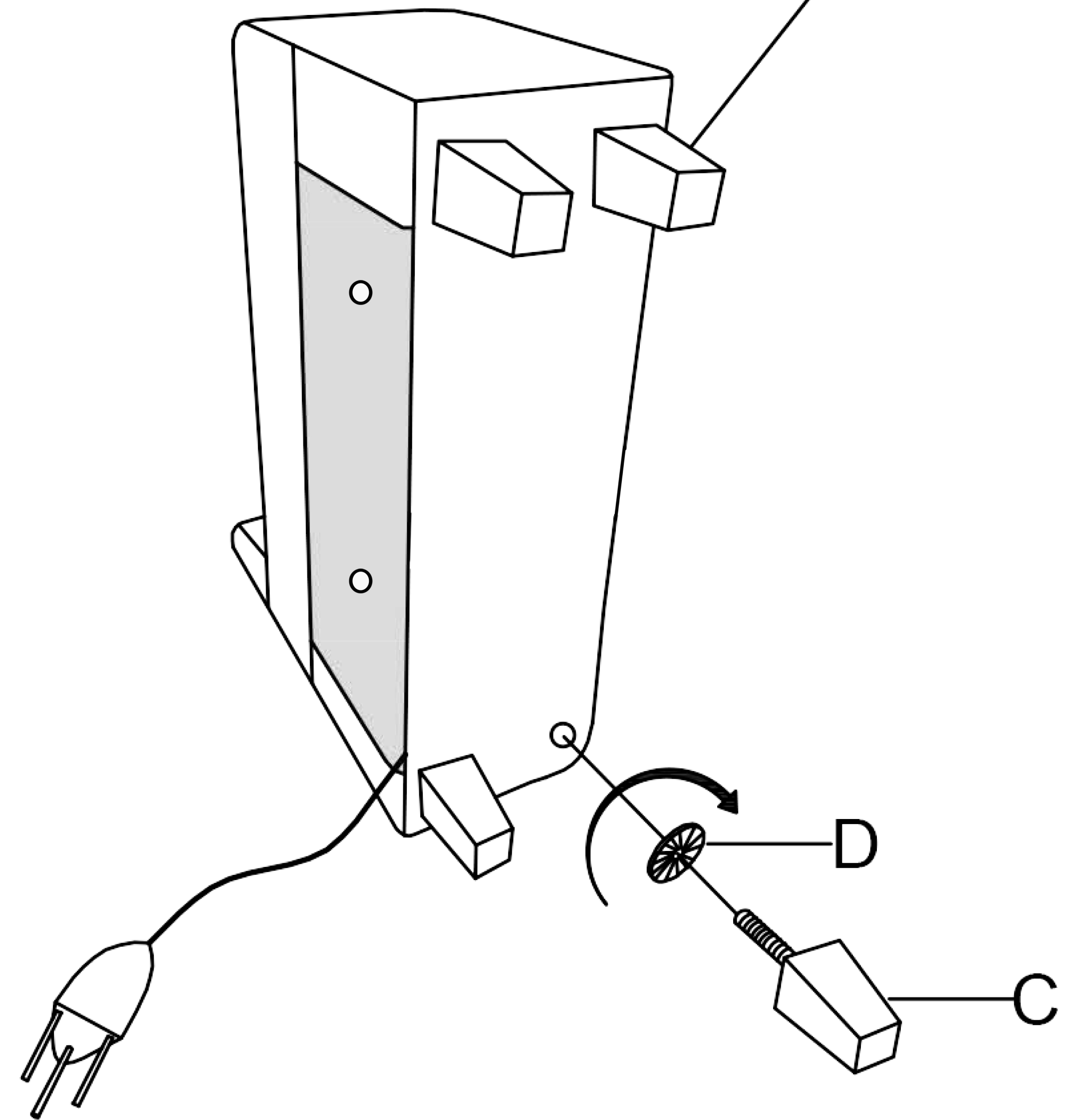
Step 3

short foot style

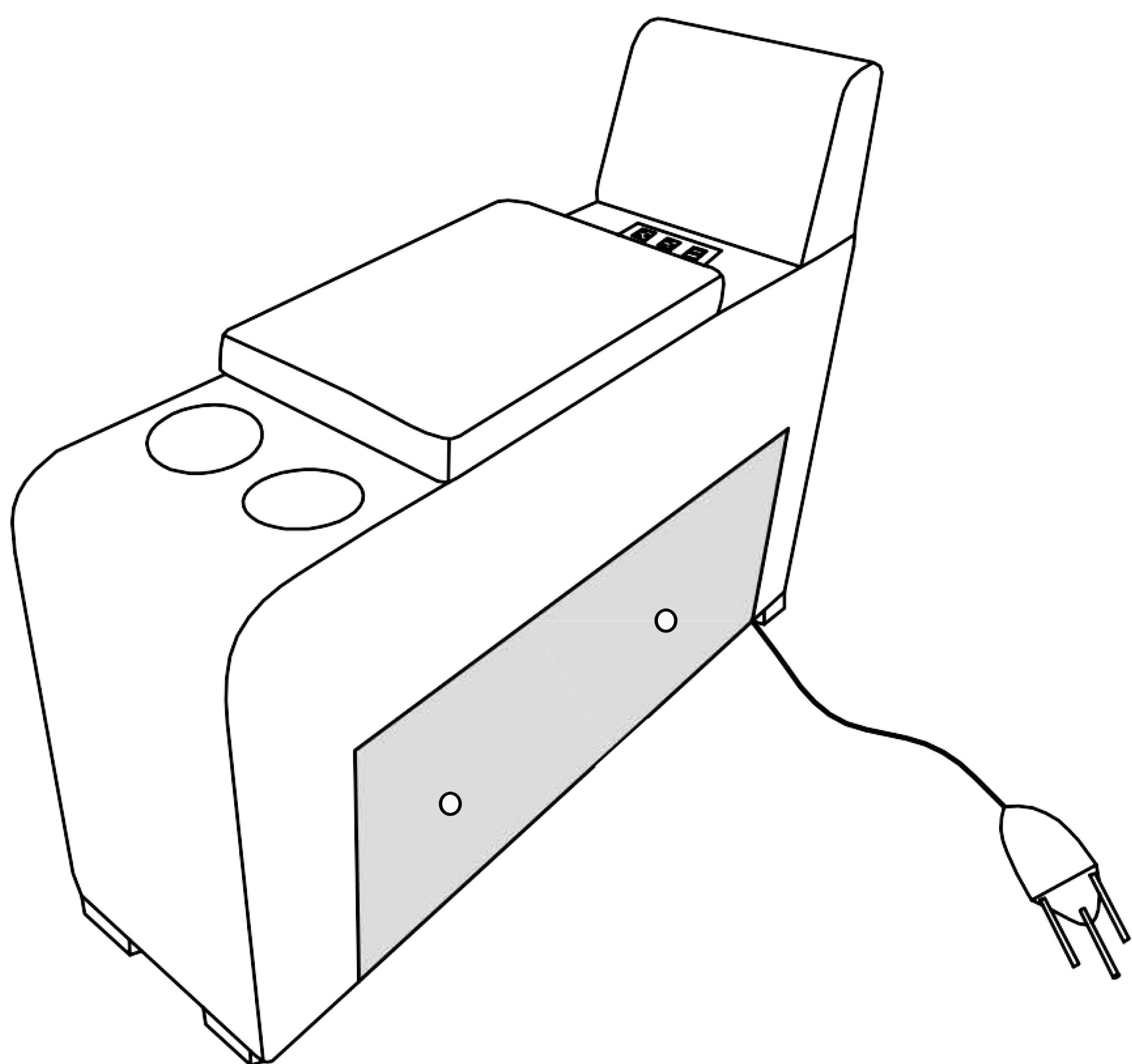


Step 3

high foot style



Step 4



Step 4

