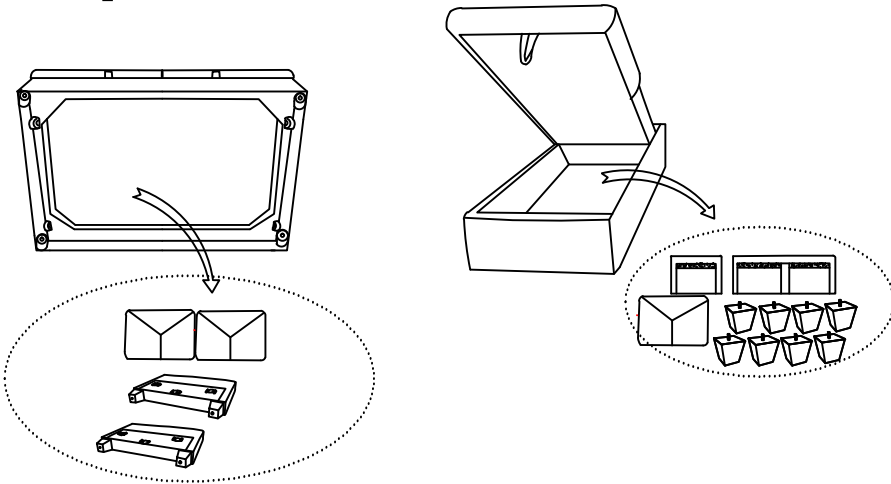
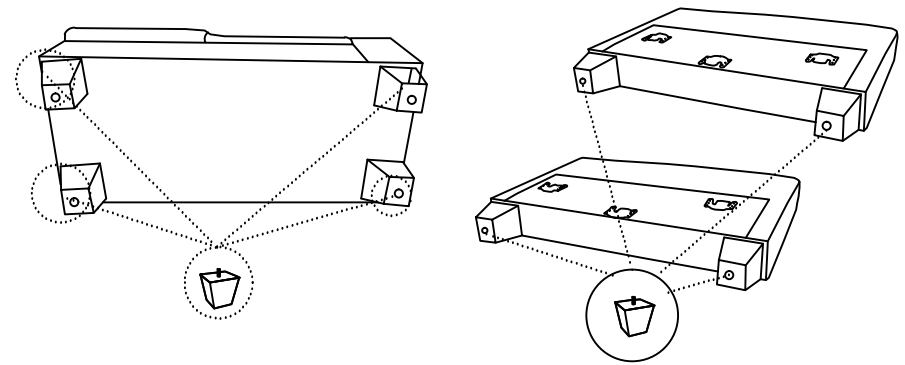


ASSEMBLY INSTRUCTION

step1

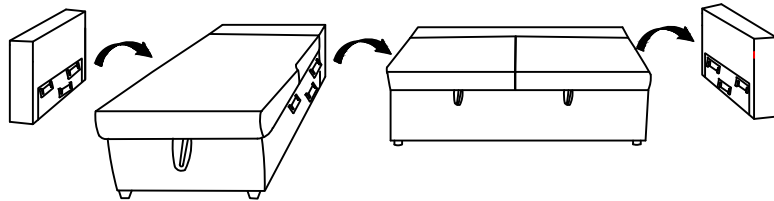
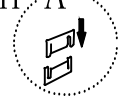


step2

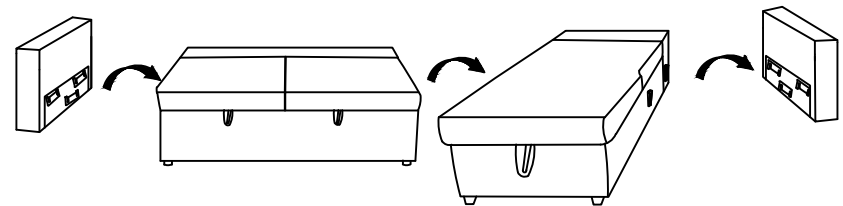


step3

Option A

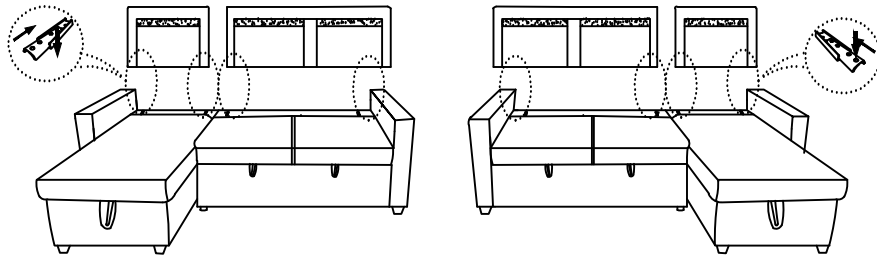


Option B

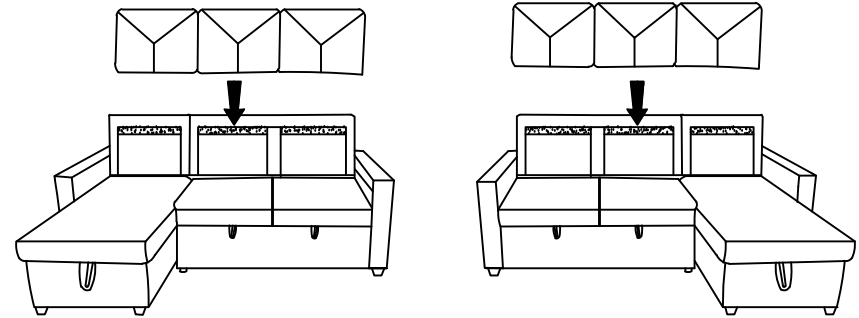


ASSEMBLY INSTRUCTION

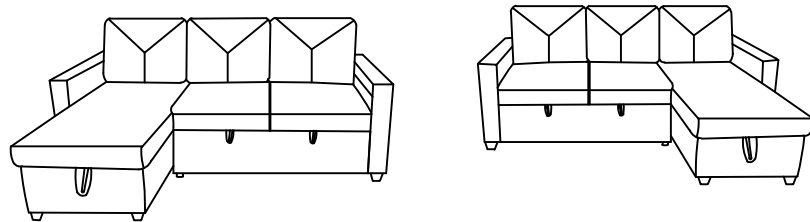
step4



step5



step6



step7

