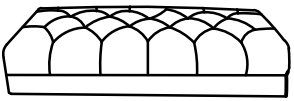
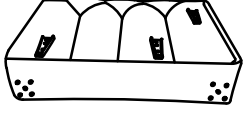
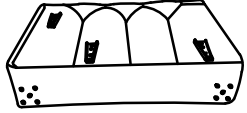
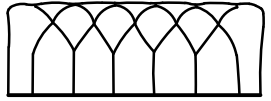
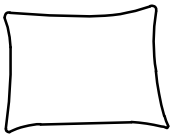





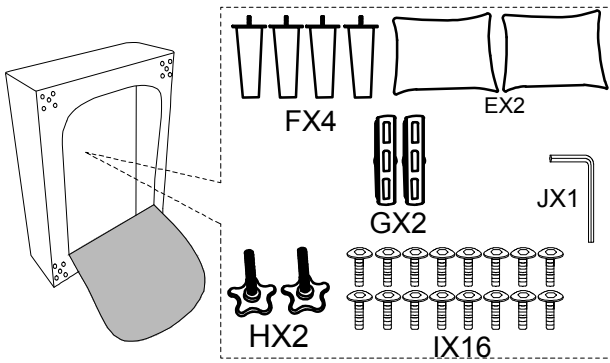


# Assembly Instruction

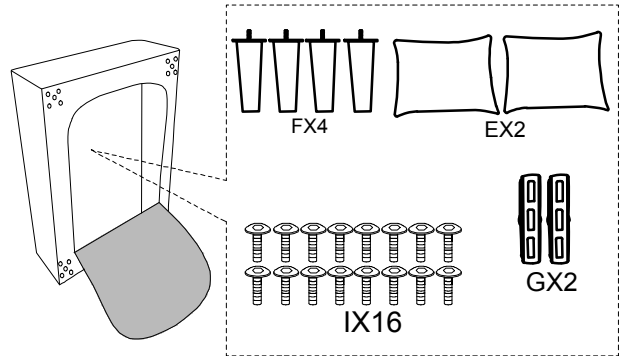
## PARTS LIST

<p>Ax2</p>  <p>seat</p>	<p>Bx1</p>  <p>in other carton</p> <p>left Arm</p>	<p>Cx1</p>  <p>in other carton</p> <p>right Arm</p>	<p>Dx2</p>  <p>in other carton</p> <p>back frame</p>		
<p>Ex4</p>  <p>pillow</p>	<p>Fx8</p>  <p>Middle foot</p>	<p>Gx4</p>  <p>Plug in connector</p>	<p>Hx2</p>  <p>screw</p>	<p>Ix32</p>  <p>screw</p>	<p>Jx1</p>  <p>Allen Key</p>

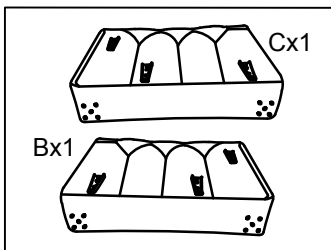
① left parts inside open here



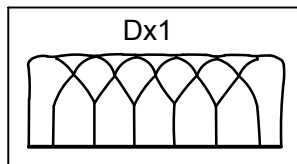
② right parts inside open here



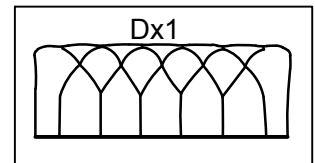
③ in other carton



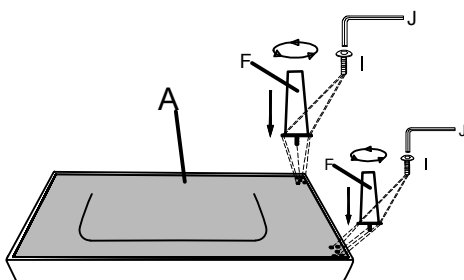
④ in other carton



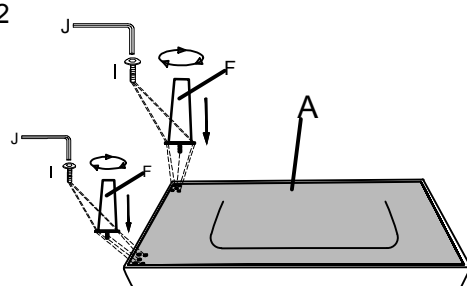
⑤ in other carton



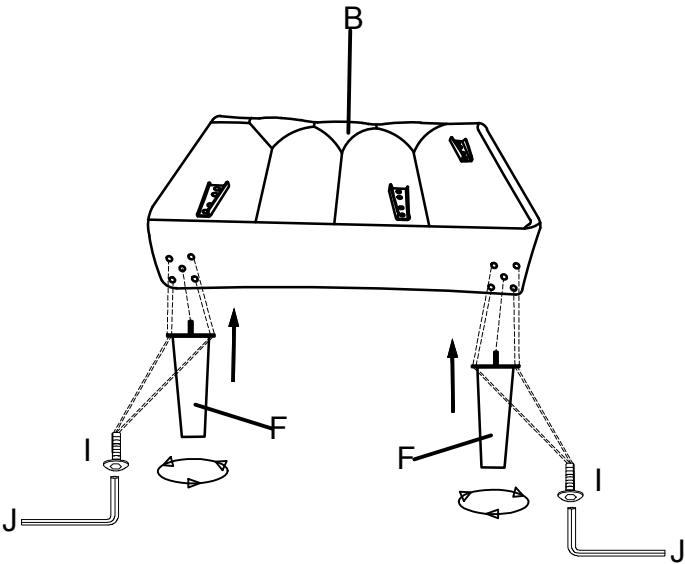
Step 1



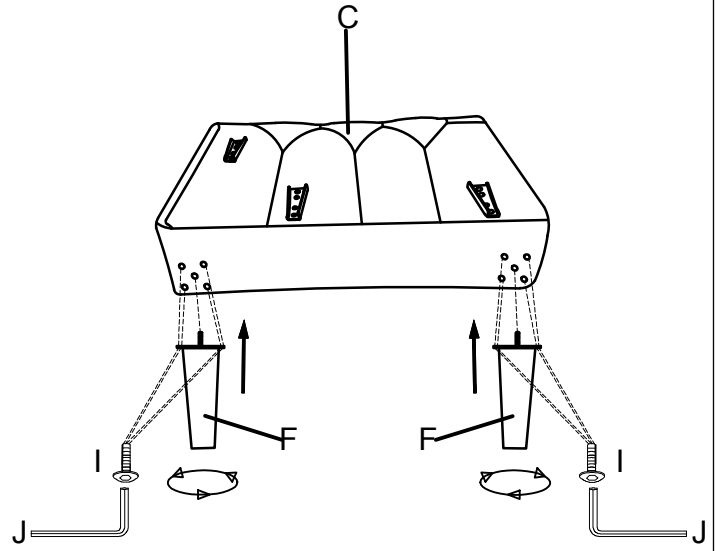
Step 2



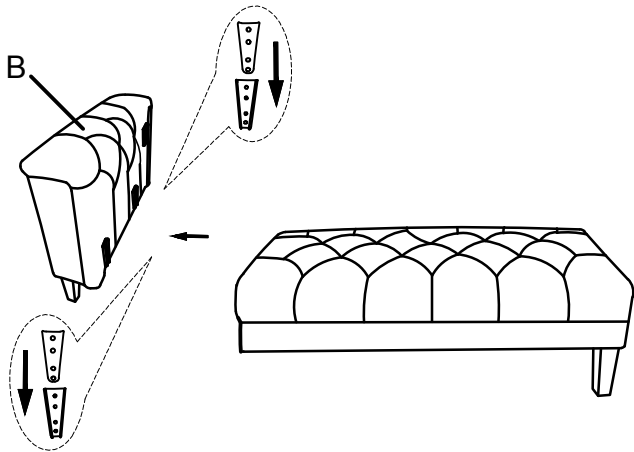
Step 3



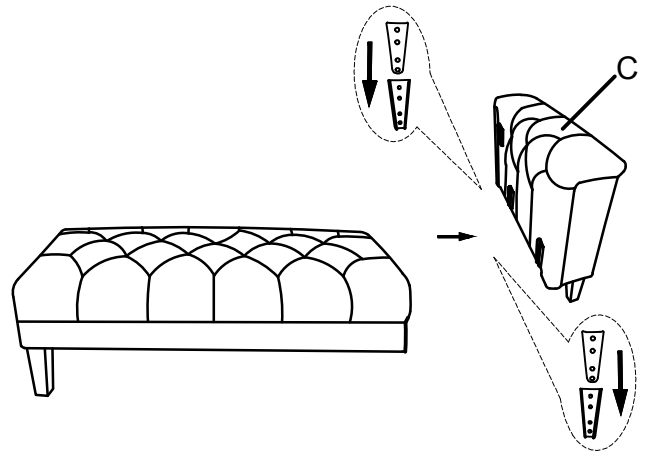
Step 4



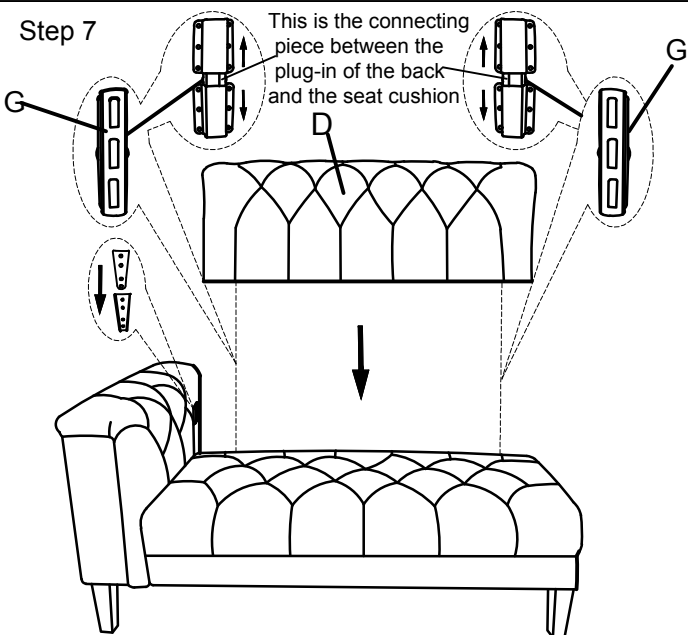
Step 5



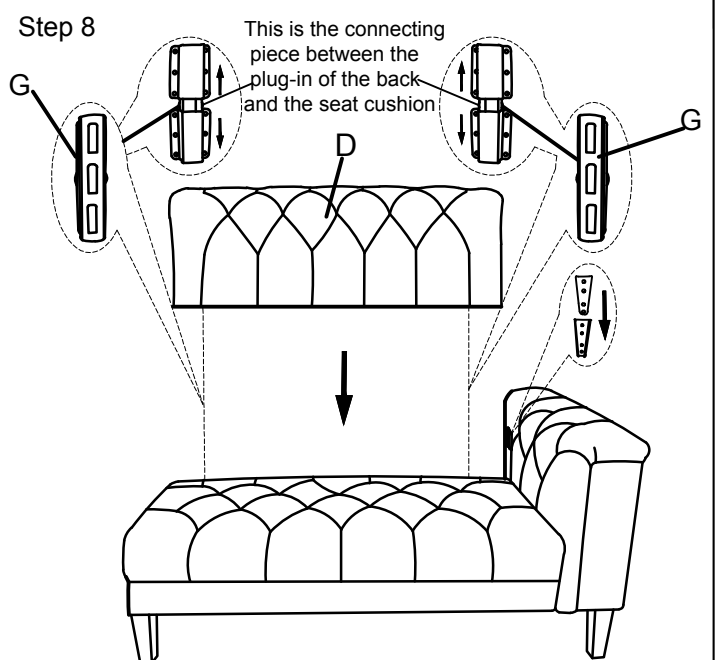
Step 6



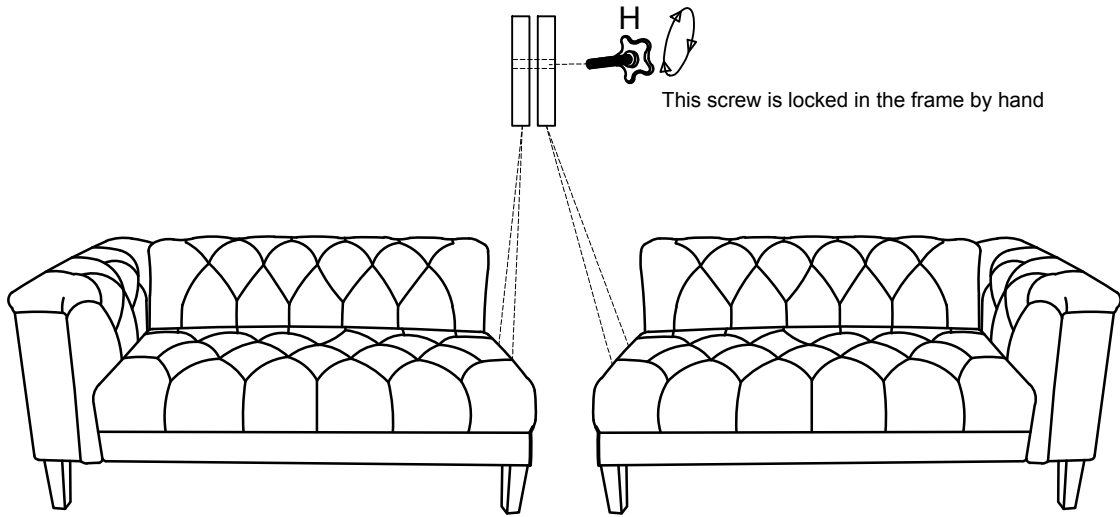
Step 7



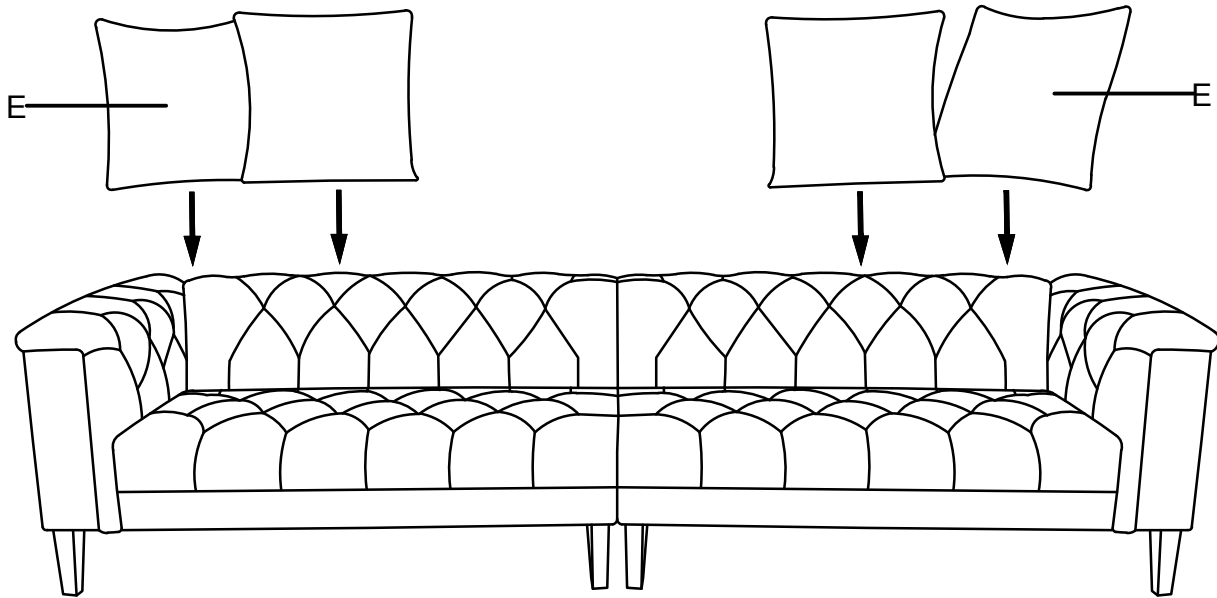
Step 8



Step 9



Step 10



Step 11

