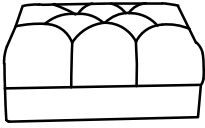


Assembly Instruction

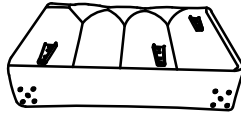
PART LIST

Ax1



seat

Bx1



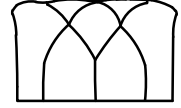
in other carton
left Arm

Cx1



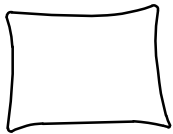
in other carton
right Arm

Dx1



back frame

Ex1



pillow

Fx4



Middle foot

Gx2



Plug in connector

Hx16



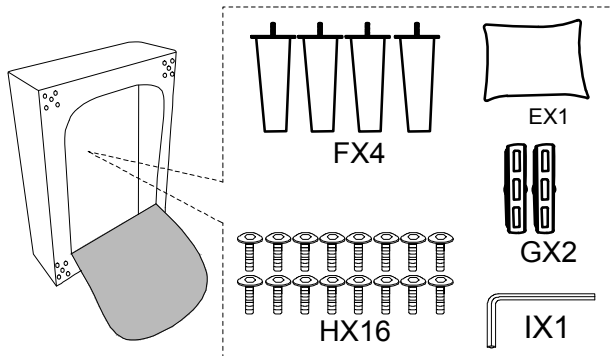
screw

Ix1

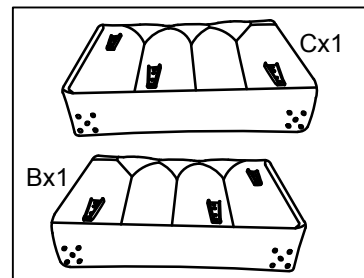


Allen Key

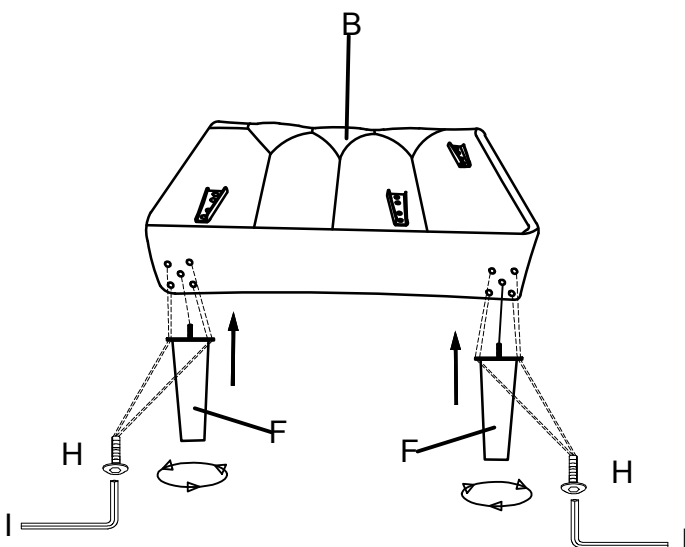
① parts inside open here



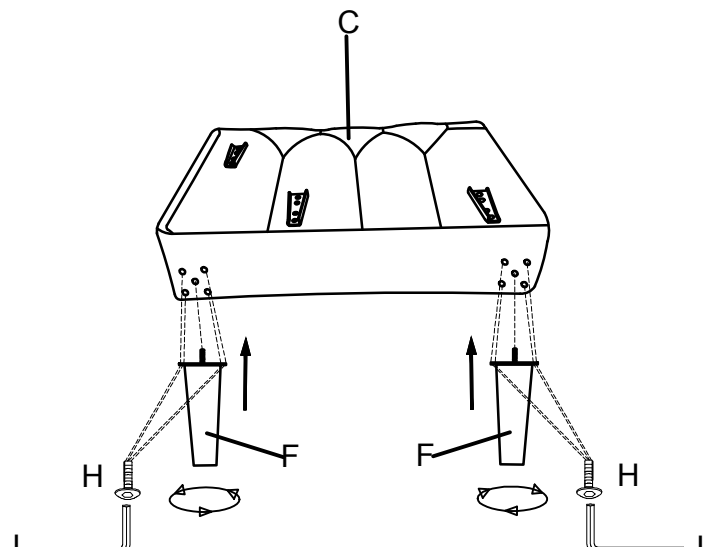
② in other carton



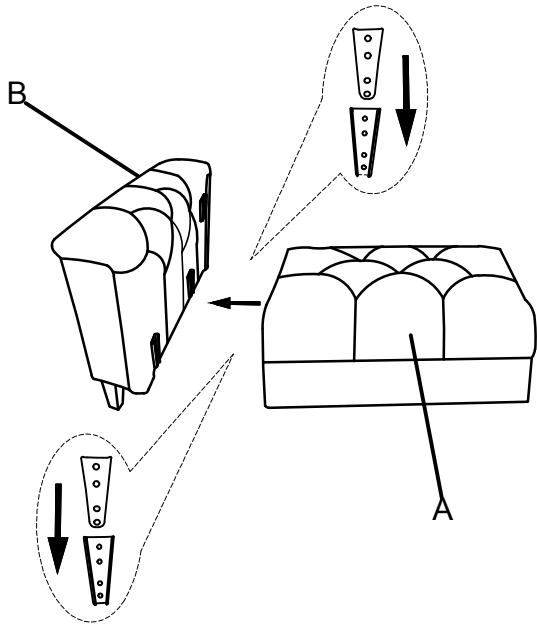
Step 1



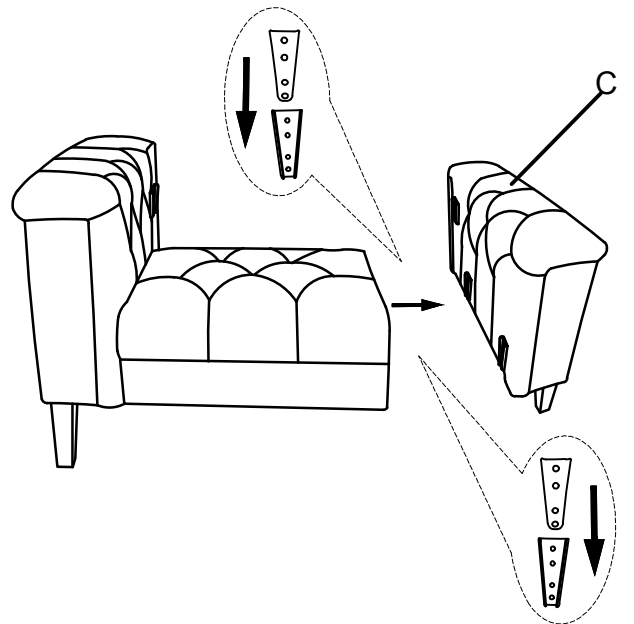
Step 2



Step 3

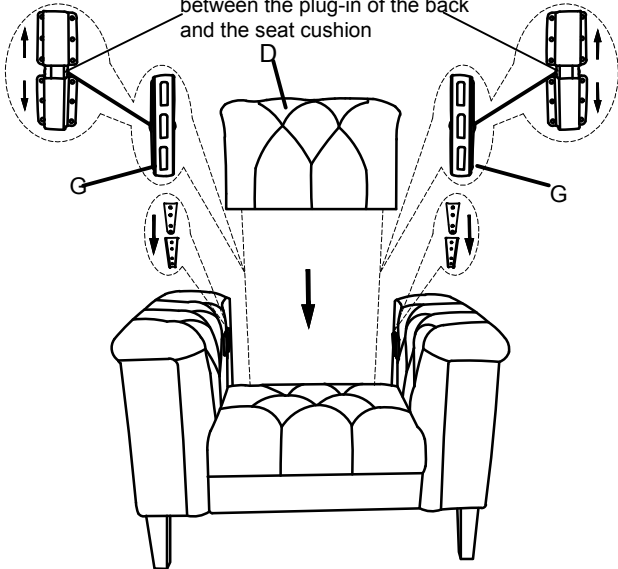


Step 4

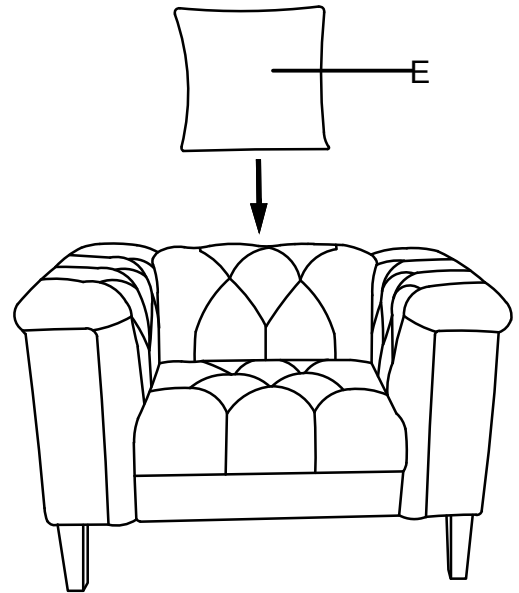


Step 5

This is the connecting piece between the plug-in of the back and the seat cushion



Step 6



Step 7

