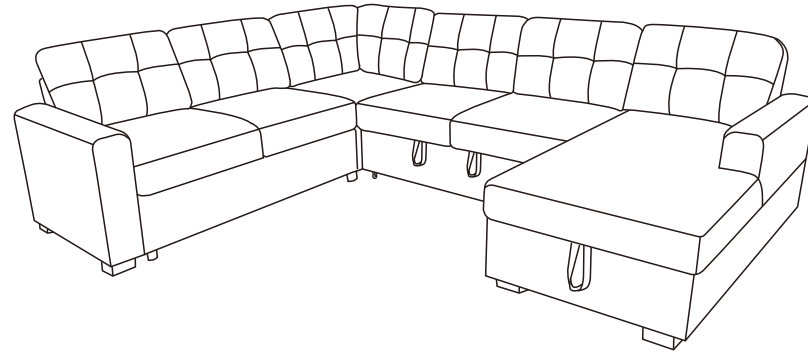
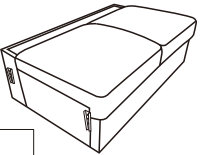
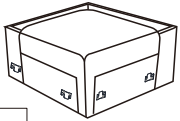
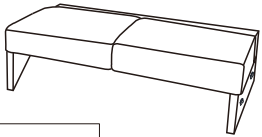
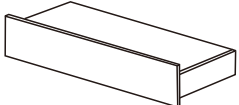
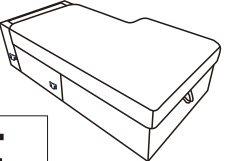
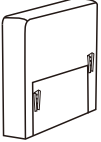
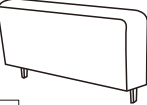
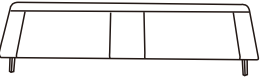
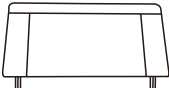
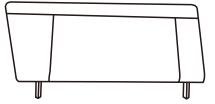
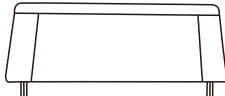
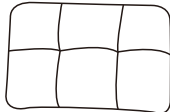
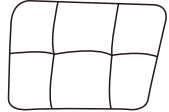
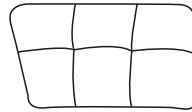


ASSEMBLY INSTRUCTION

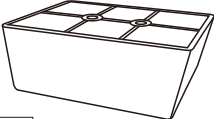



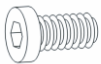
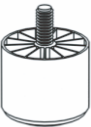
ITEM NO: 89128/89129

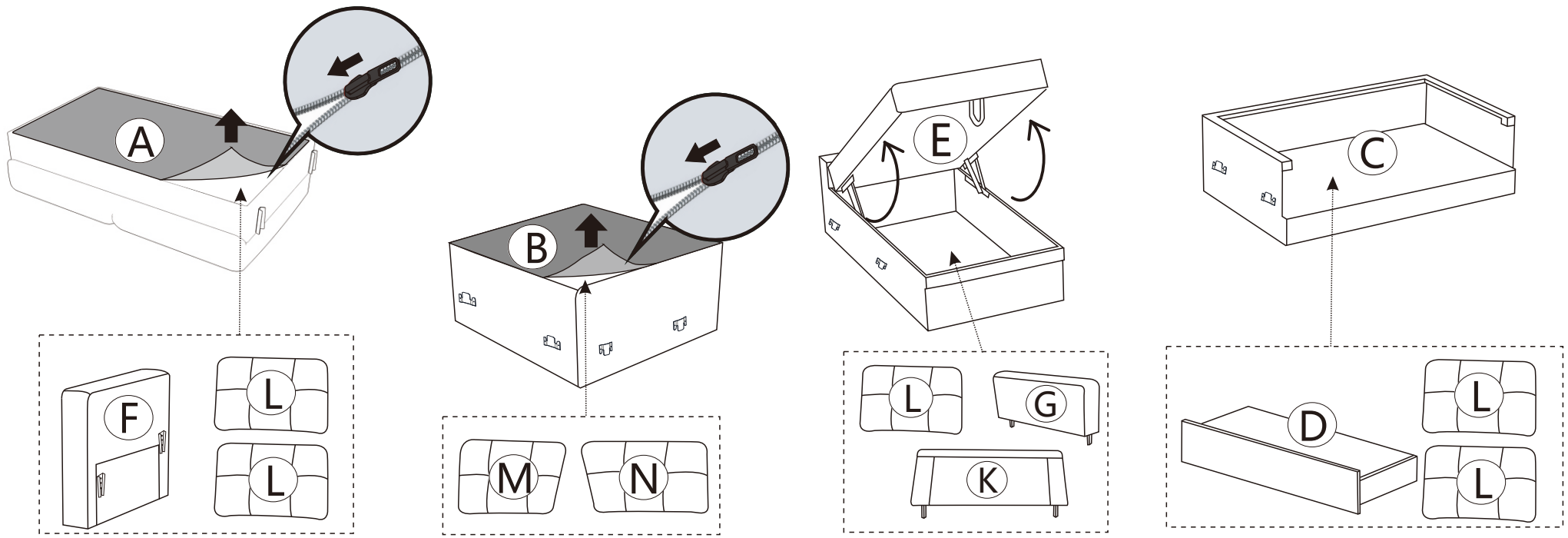


PARTS LIST

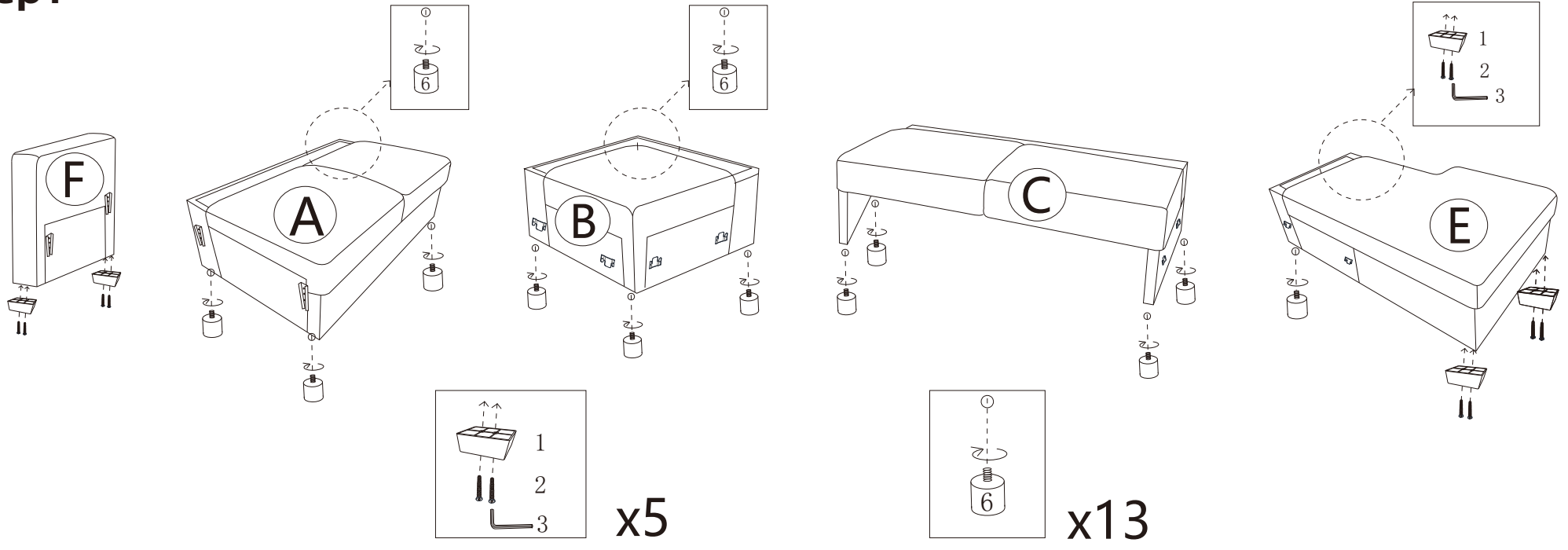
						
A x1	B x1	C x1	D x1	E x1	F x1	G x1
						
H x2	I x1	J x2	K x1	L x5	M x1	N x1

HARDWARE LIST

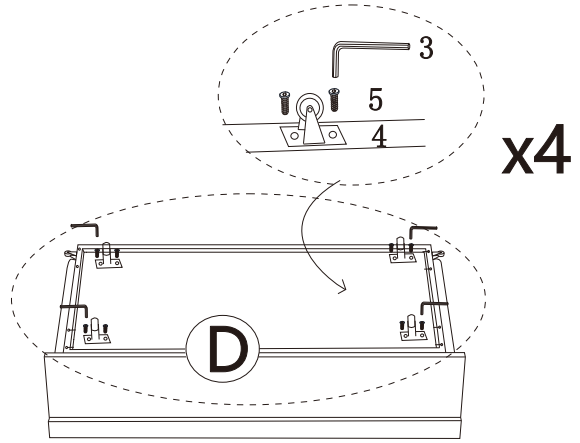
					
1 x5	2 x10	3 x1	4 x4	5 x8	6 x13



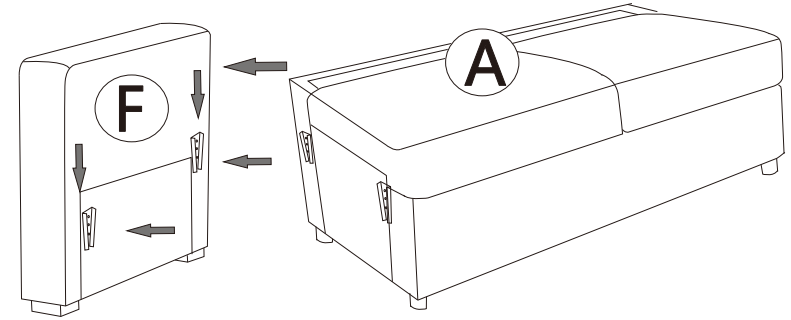
Step 1



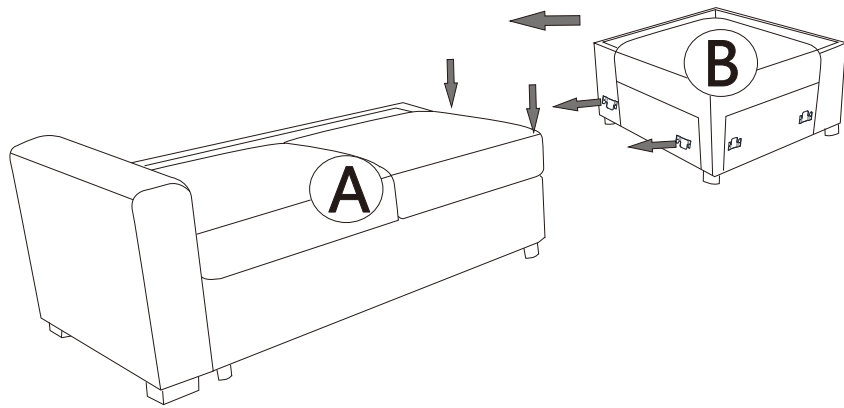
Step2



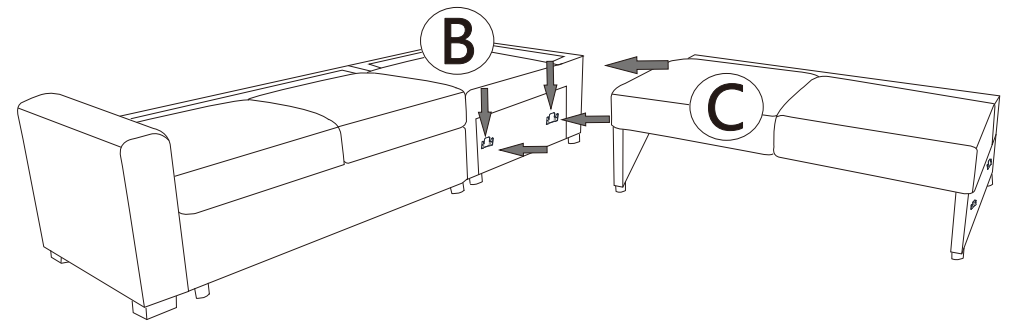
Step3



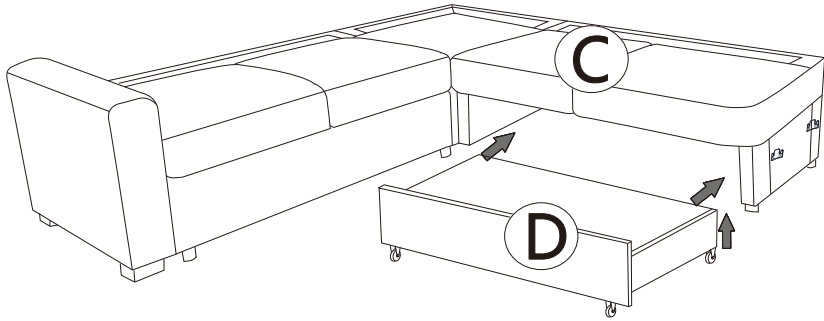
Step4



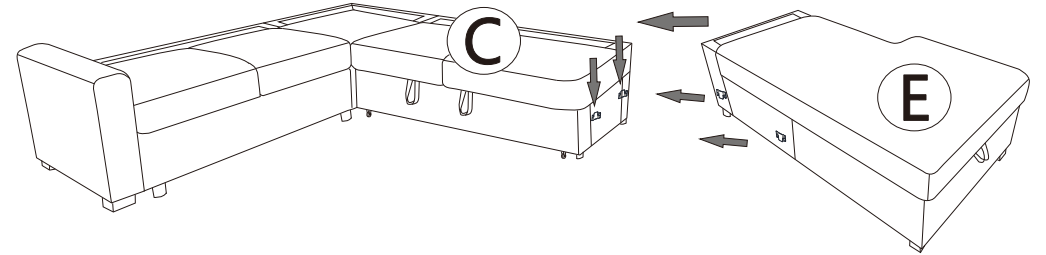
Step5



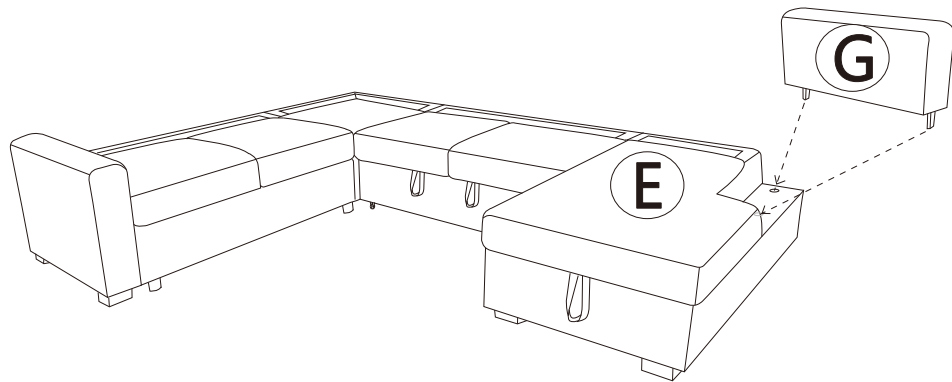
Step6



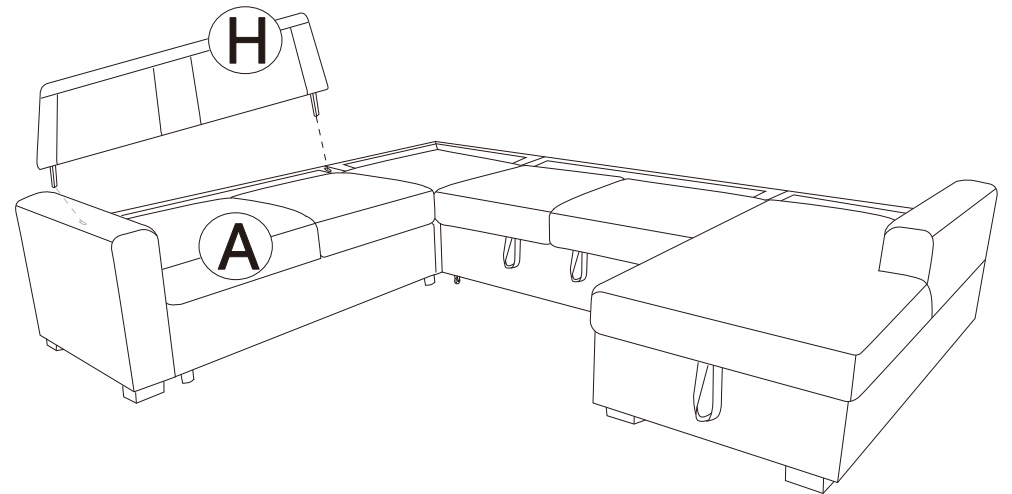
Step7



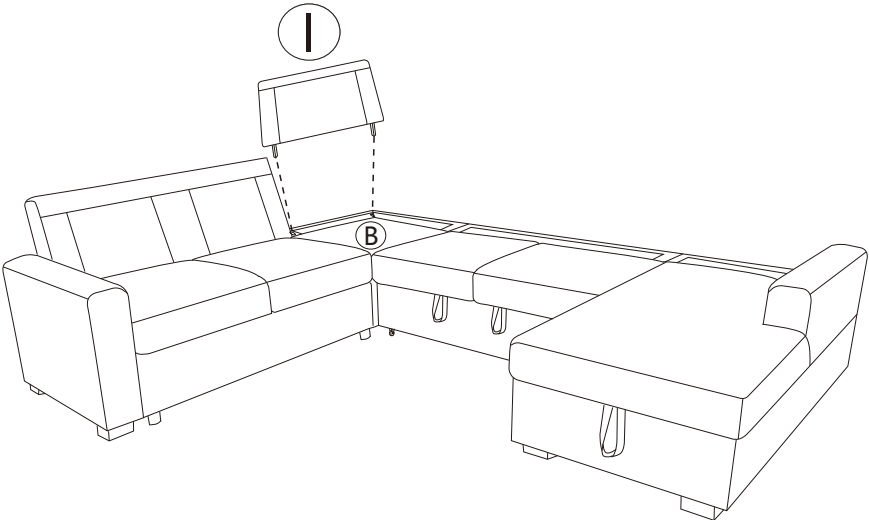
Step8



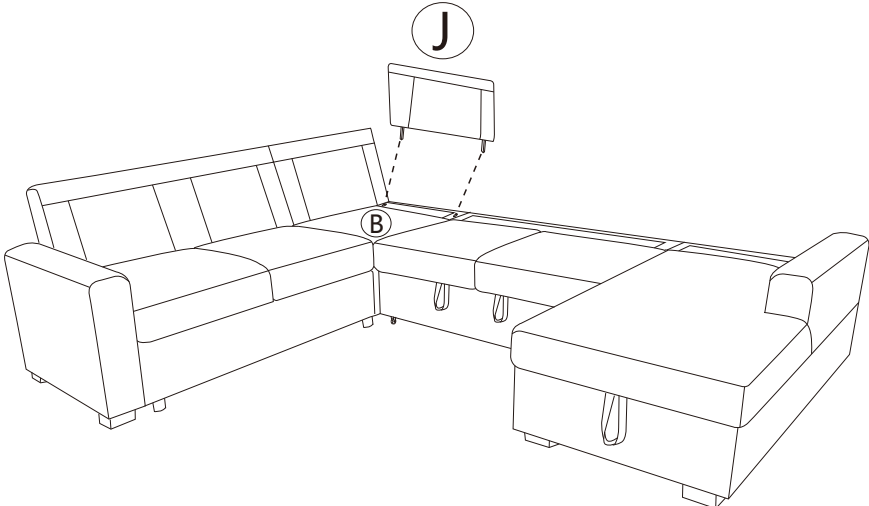
Step9



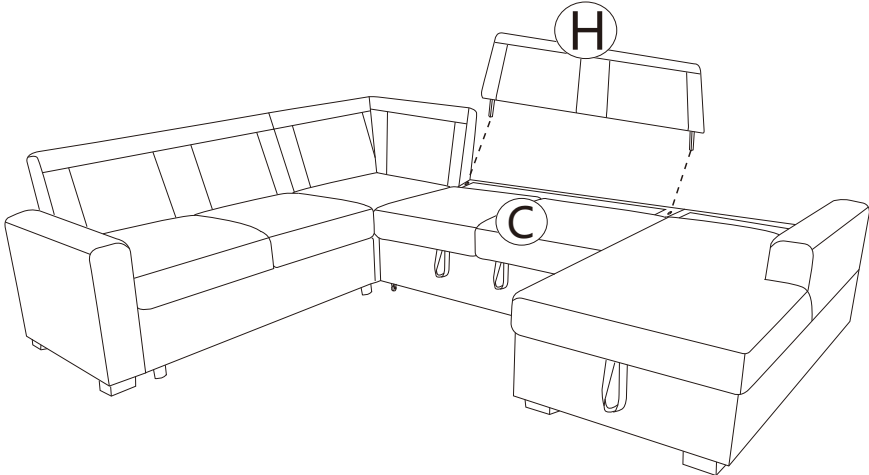
Step10



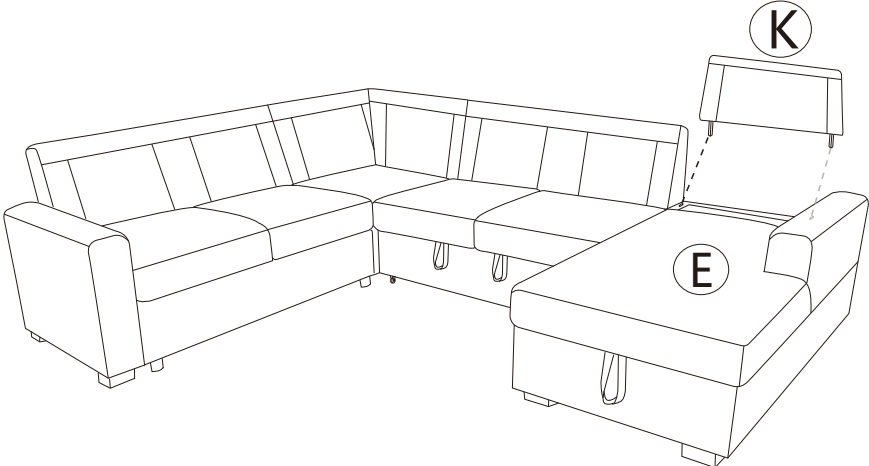
Step11



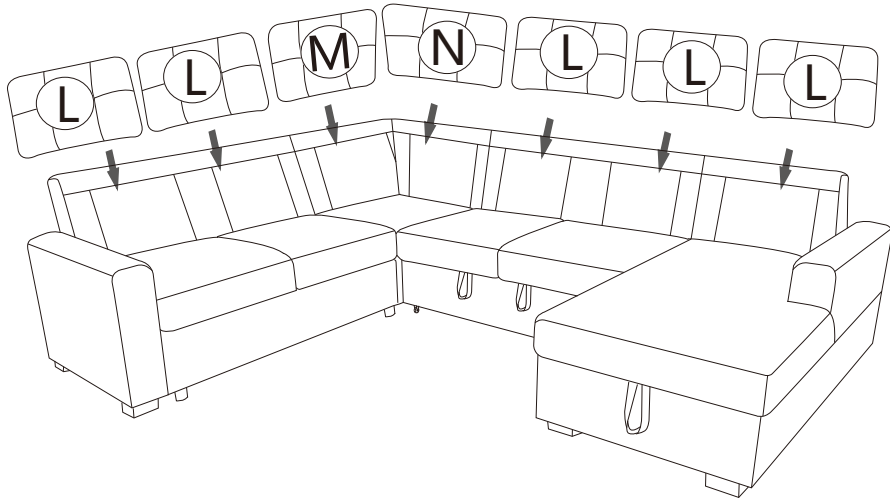
Step12



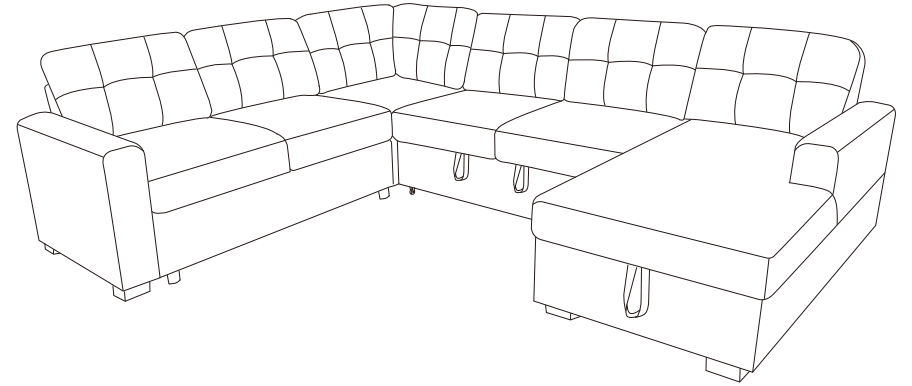
Step13



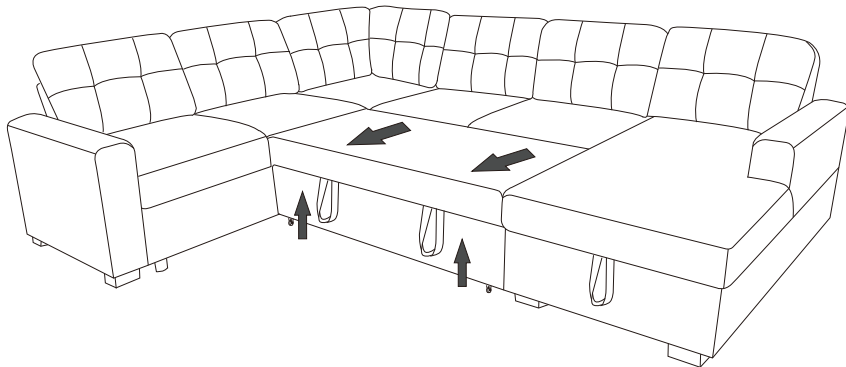
Step14



Step15



Step16



Step17

