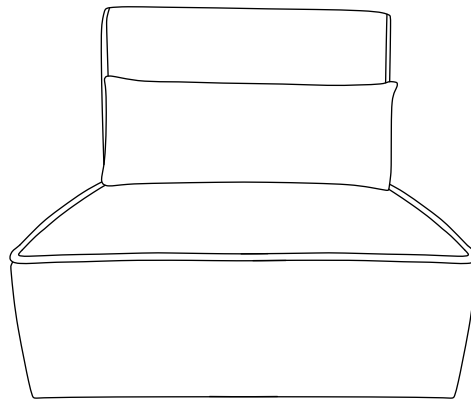


ASSEMBLY INSTRUCTION

ITEM NO: 89118-C1/ 89119-C1



PARTS IDENTIFICATION

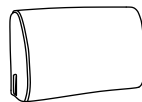
CHAIR WITH 1 PILLOW (Item 89118-C1/ 89119-C1)

A CHAIR
SEAT FRAME



1PC

B BACKREST



1PC

C PILLOW



1PC

D LEG



4PCS

HARDWARE PACK

1 FLAT WASHER
(2MM-BLK)



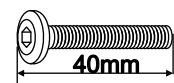
8PCS

2 LOCK WASHER
(2MM-BLK)



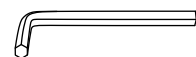
8PCS

3 BOLT
(40MM-BLK)



4PCS

4 HEXAGON
WRENCH
(75MM-BLK)



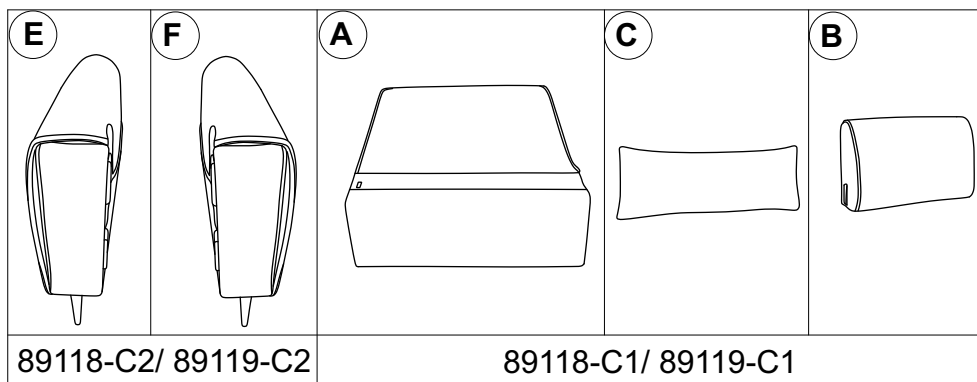
1PC

ASSEMBLY INSTRUCTION

ITEM NO.: 89118-C1/ 89119-C1

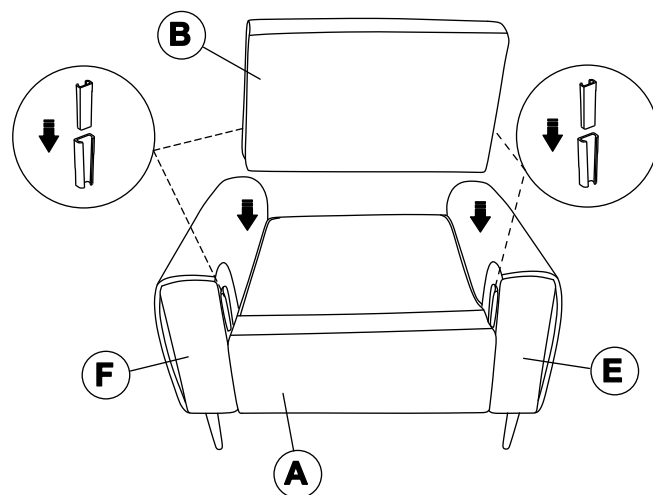
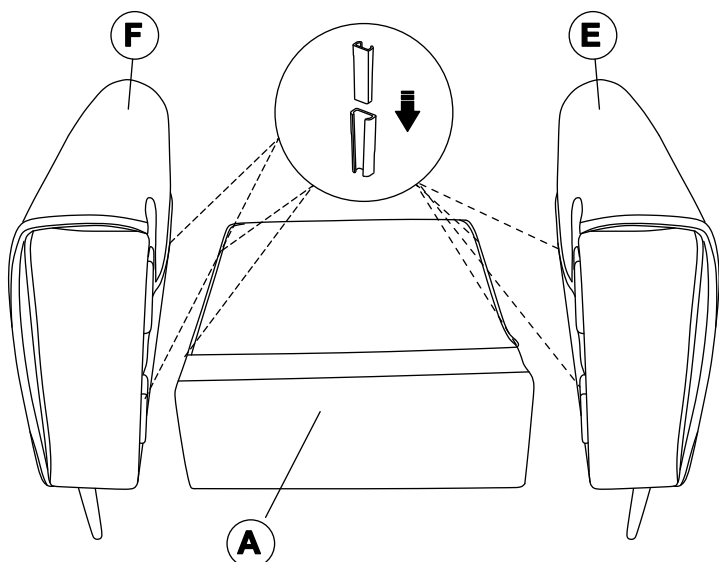
GENERAL ASSEMBLY STEPS

PARTS LIST:

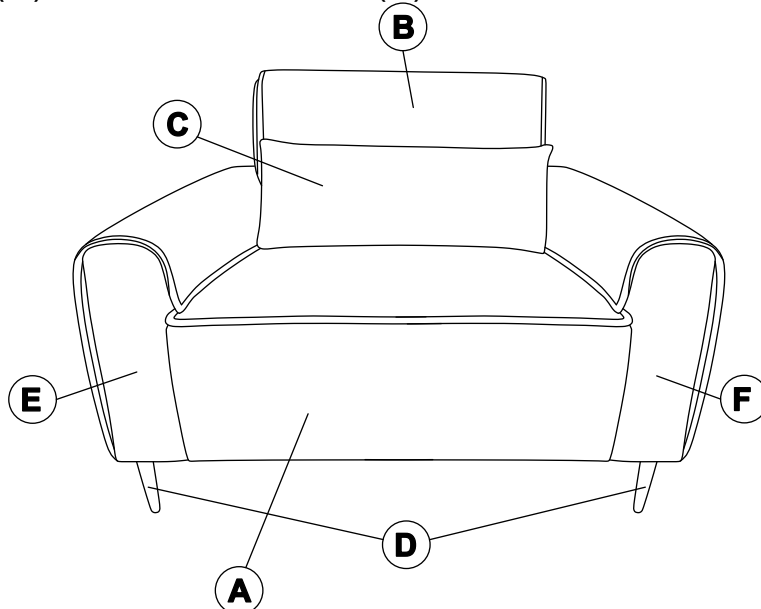


STEP 1: Attach Left (E) and Right Arm (F) to Seat Frame (A).

STEP 2: Attach Backrest (B) to Left (E) and Right Arm (F).

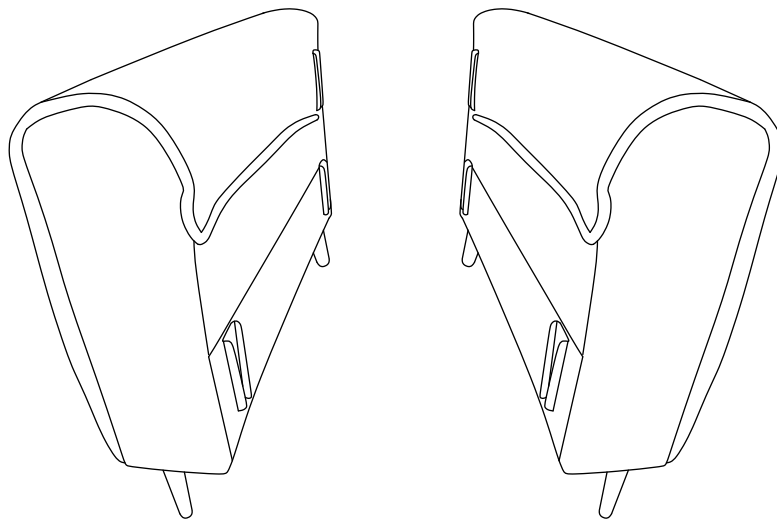


STEP 3: Put Pillow (C) on the Seat Frame (A).



ASSEMBLY INSTRUCTION

ITEM NO.: 89118-C2/ 89119-C2



PARTS IDENTIFICATION

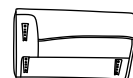
CHAIR ARM IN PAIRS (Item 89118-C2/ 89119-C2)

G CHAIR LEFT ARM



1PC

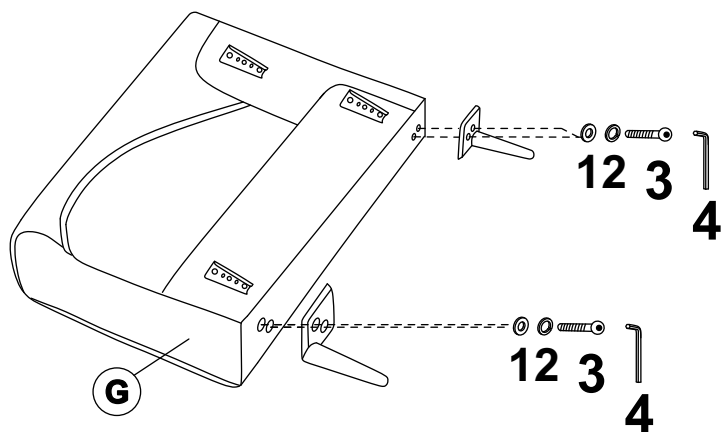
H CHAIR RIGHT ARM



1PC

NOTE: You can take legs, washers, bolts and hexagon wrench when unboxing chair box (Item 89118-C1/ 89119-C1).

STEP 1: Attach the Legs (D) to Left Arm (G).



STEP 2: Attach the Legs (D) to Right Arm (H).

