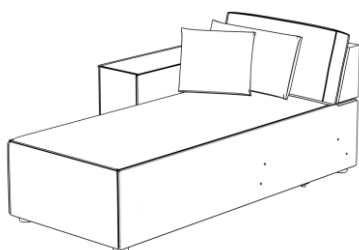


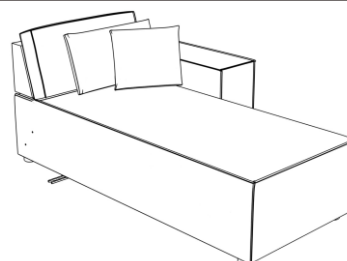
Please note that 89116- ARM / 89117- ARM and 89116-CH / 89117-CH can be assembled on the left or on the right.  
 Assemble (89116-CH / 89117-CH) LEFT and (89116-CH / 89117-CH) RIGHT according to the serial numbers of the products purchased.

# ASSEMBLY INSTRUCTION

ITEM NO.:89116-CH/89117-CH



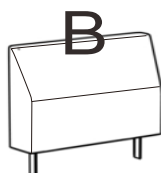
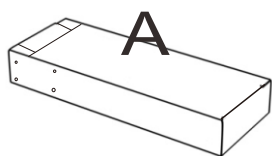
(89116-CH/89117-CH) LEFT



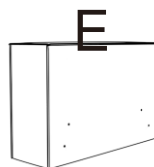
(89116-CH/89117-CH) Right

## PARTS LIST

BOX:89116-CH/89117-CH



BOX:89116-ARM/89117-ARM



BackPillow



Pillow

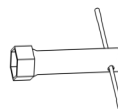


x2

x2

x2

## HARDWARE LIST INSIDE BOX-89116-ARM/89117-ARM



1

x8

2

x8

3

x8

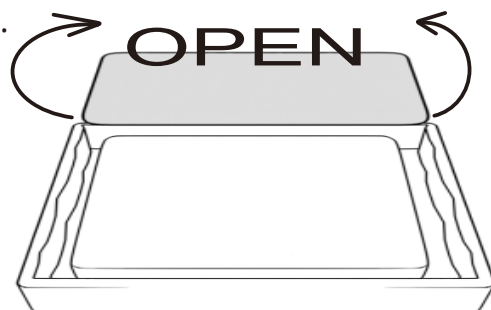
4

x1

D

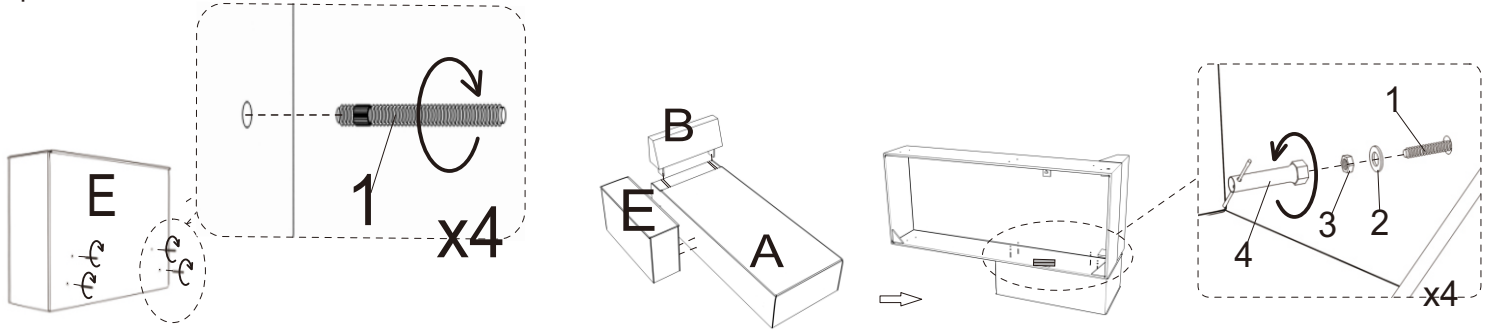
x4

Open up Velcro of Non-Woven Fabric cover on the bottom of the seat frame to remove legs, backrest and pillow.



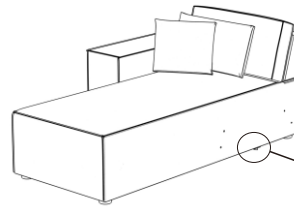
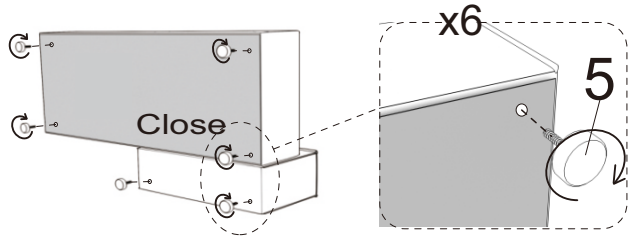
# LEFT ASSEMBLY INSTRUCTION

Step1



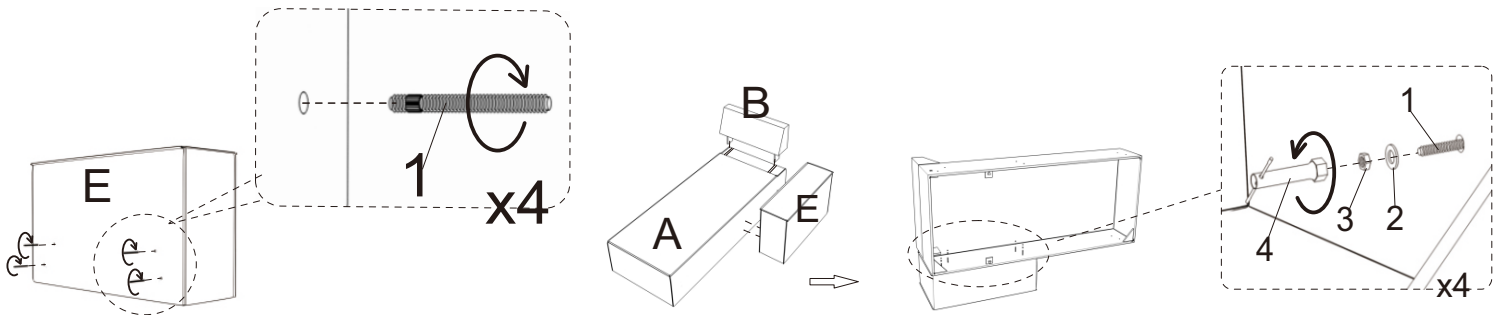
Step2

(89116-CH/89117-CH) LFET

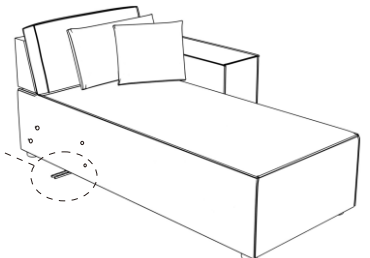
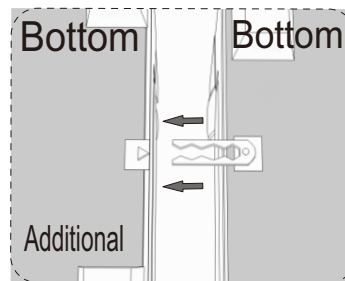
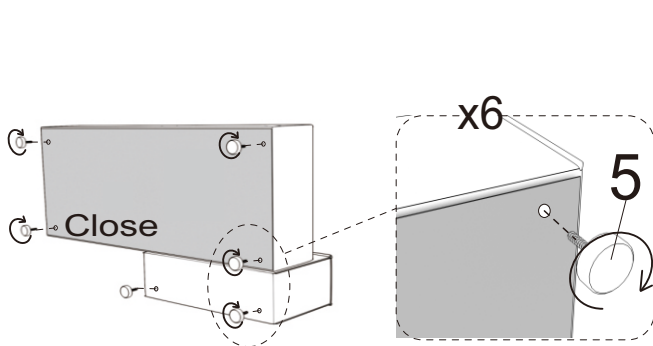


# RIGHT ASSEMBLY INSTRUCTION

Step1



Step2



(89116-CH/89117-CH) RIGHT