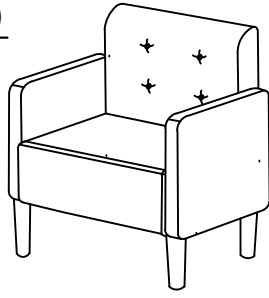
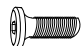



**MODEL:89005BK/GY/GN(6003A)**

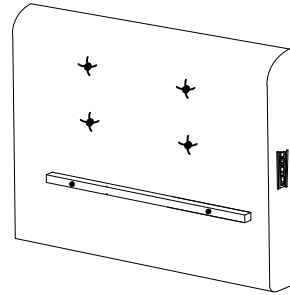


**HARDWARE**

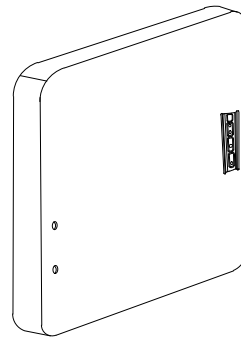
CODE	DESCRIPTION	QTY
1	 M8 x 30MM JCBB BOLT	4
2	 M5 ALLEN KEY	1

# Parts supplied for assembly

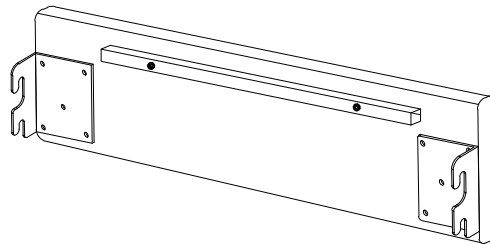
SOFA BACK PANEL  
(A) 1 PC



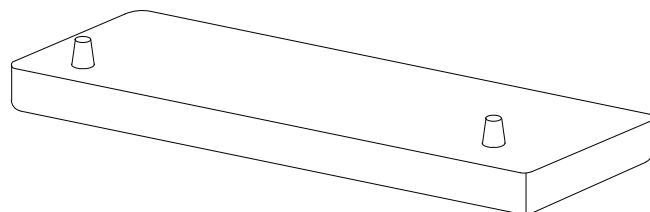
SOFA SIDE PANEL  
(B) 2 PCS



SOFA FRONT PANEL  
(C) 1 PC



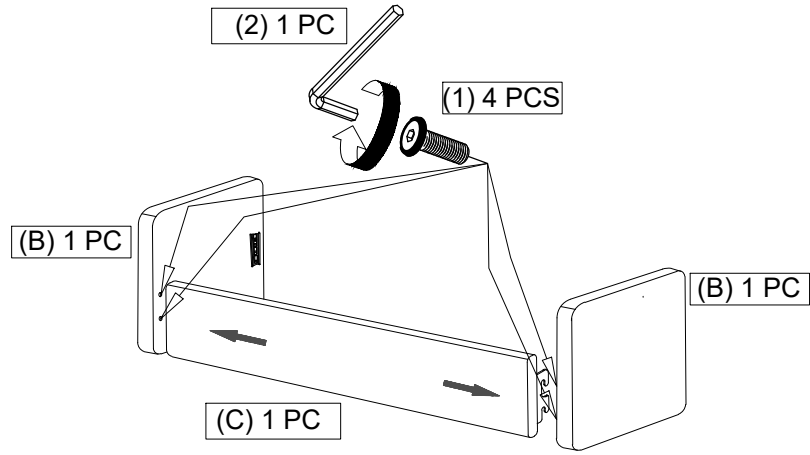
SOFA SEAT  
(D) 1 PC



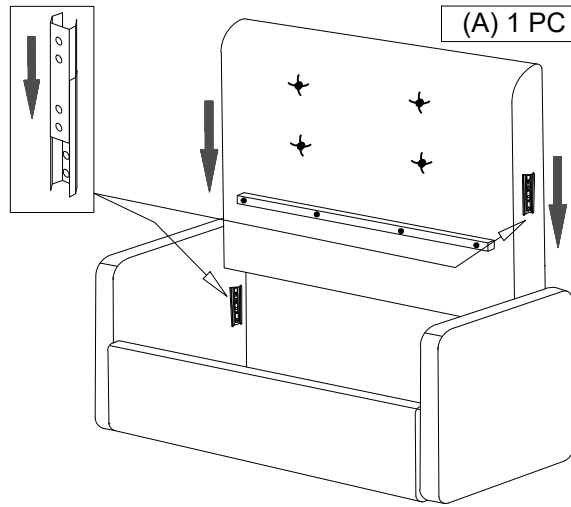
SOFA SEAT LEG  
(E) 4 PCS



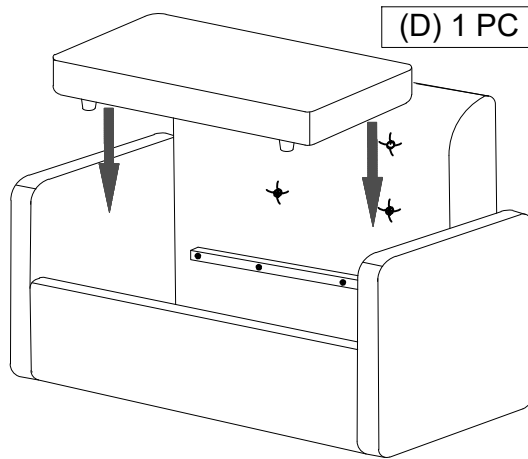
# STEP 1



# STEP 2



# STEP 3



# STEP 4

