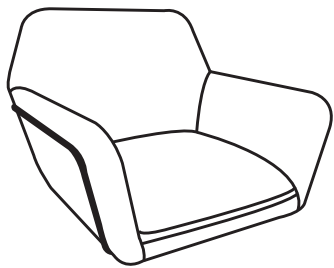
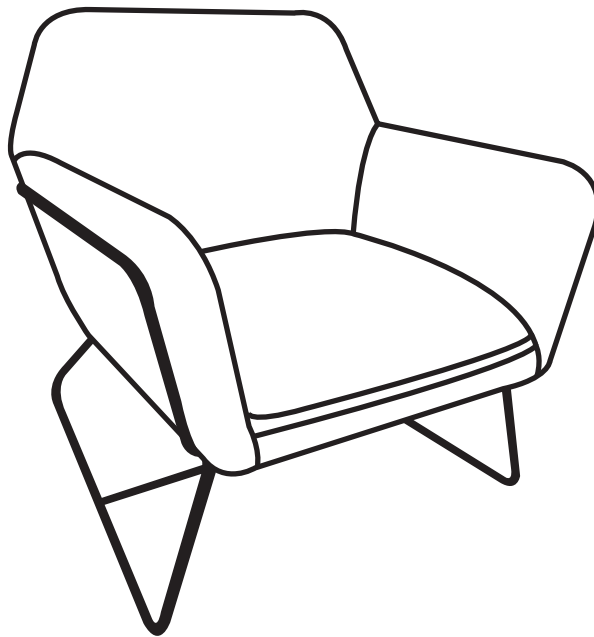
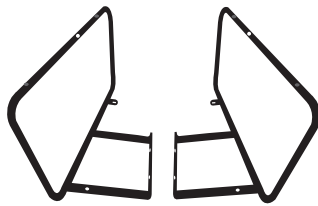


ASSEMBLY INSTRUCTIONS



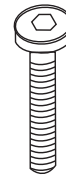
A*1PC



B*2PCS



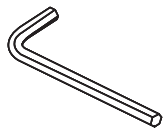
C*1PCS



D*6PCS

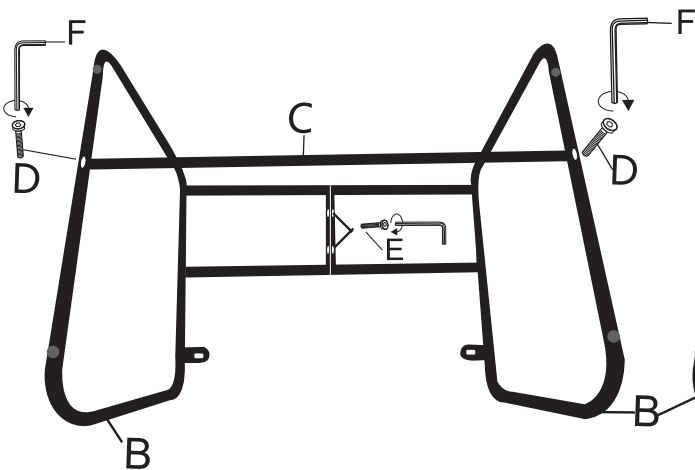


E*2PCS



F*1PC

①



②

