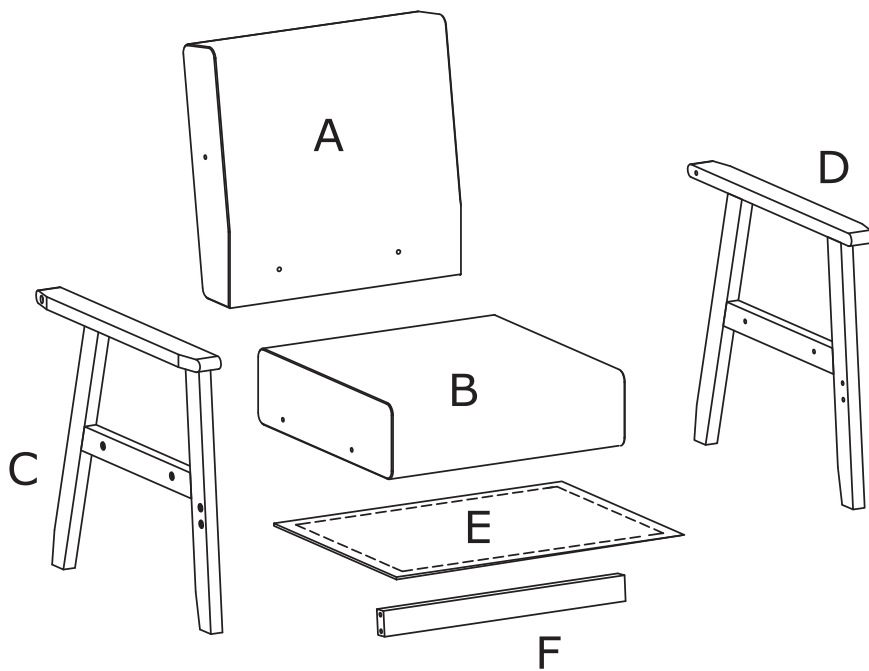
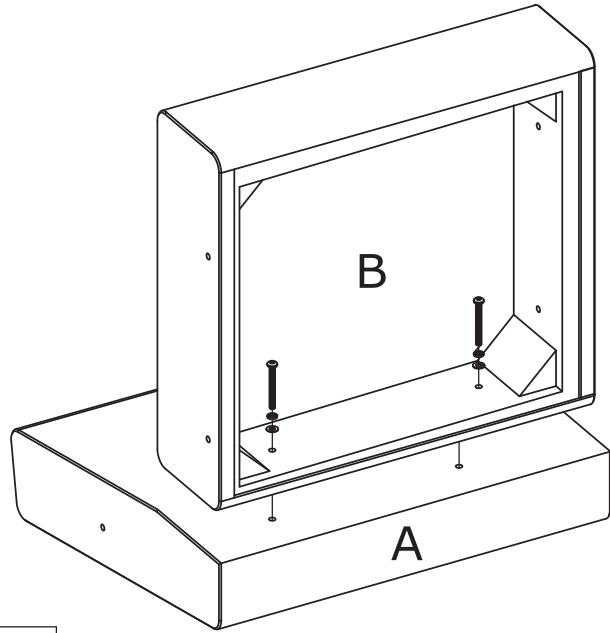
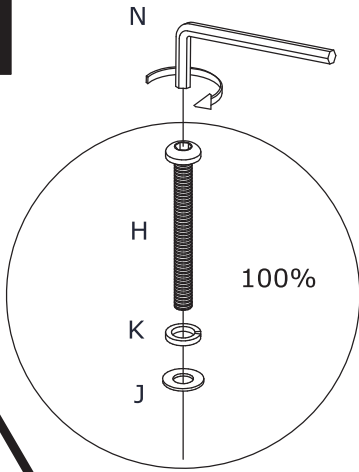


A		x1		B		x1		C		x1		D		x1																	
E		x1		F		x1																									
G		x4		H		x12		I		x4		J		x2		K		x12		L		x4		M		x1		N		x1	


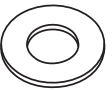


	40MIN		
--	--------------	--	--



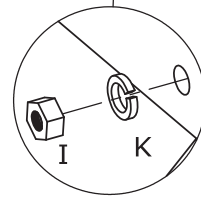
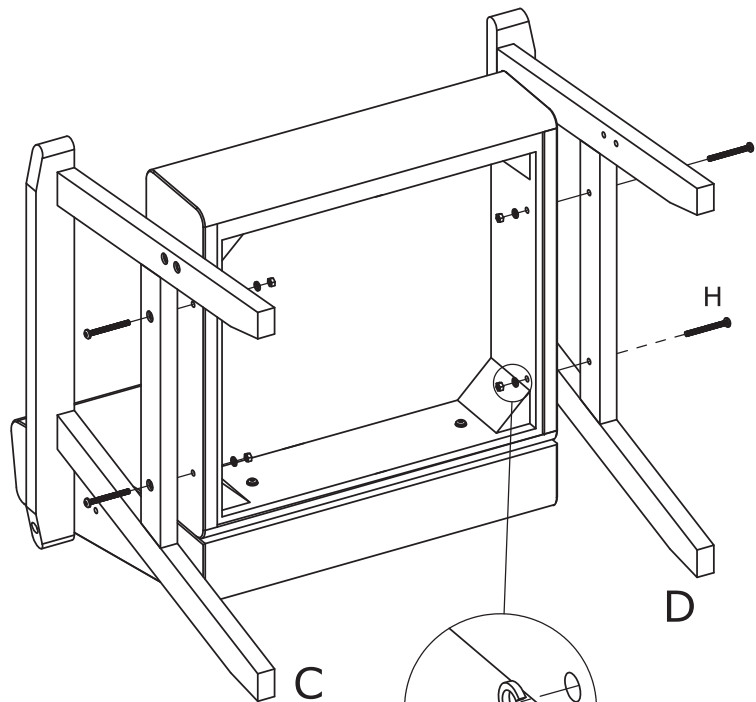
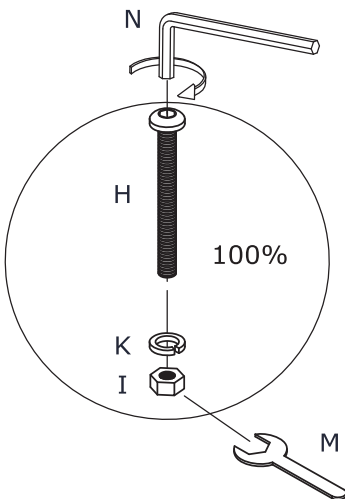
1



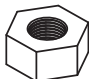




1. Insert 4 sets hardware into position first.
2. Tighten them in the same time then.

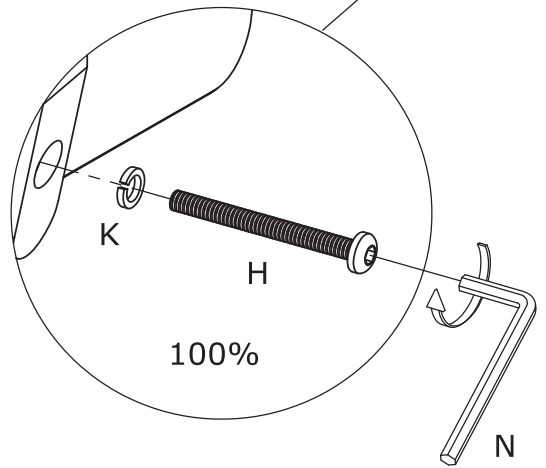
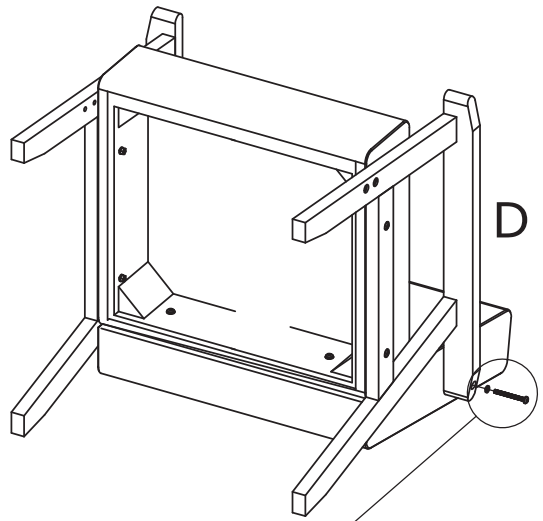
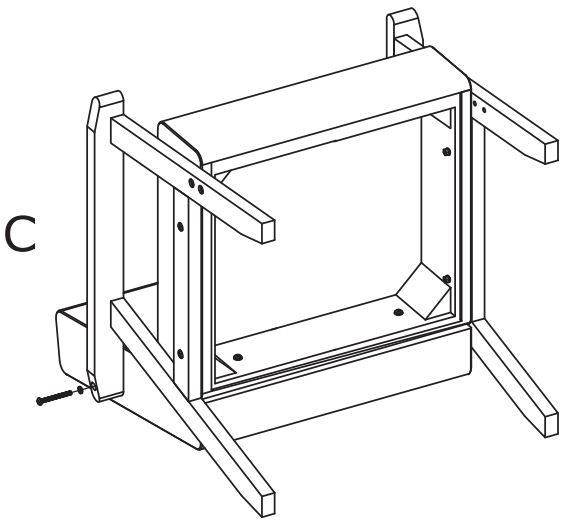
H	x2	J	x2	K	x2	N	x1
							




2



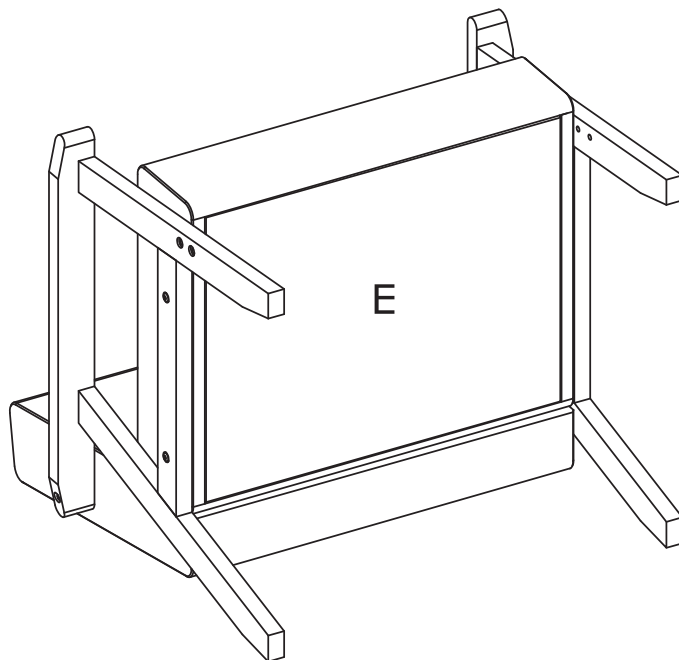
H	x4	K	x4	I	x4	M	x1	N	x1
									

3

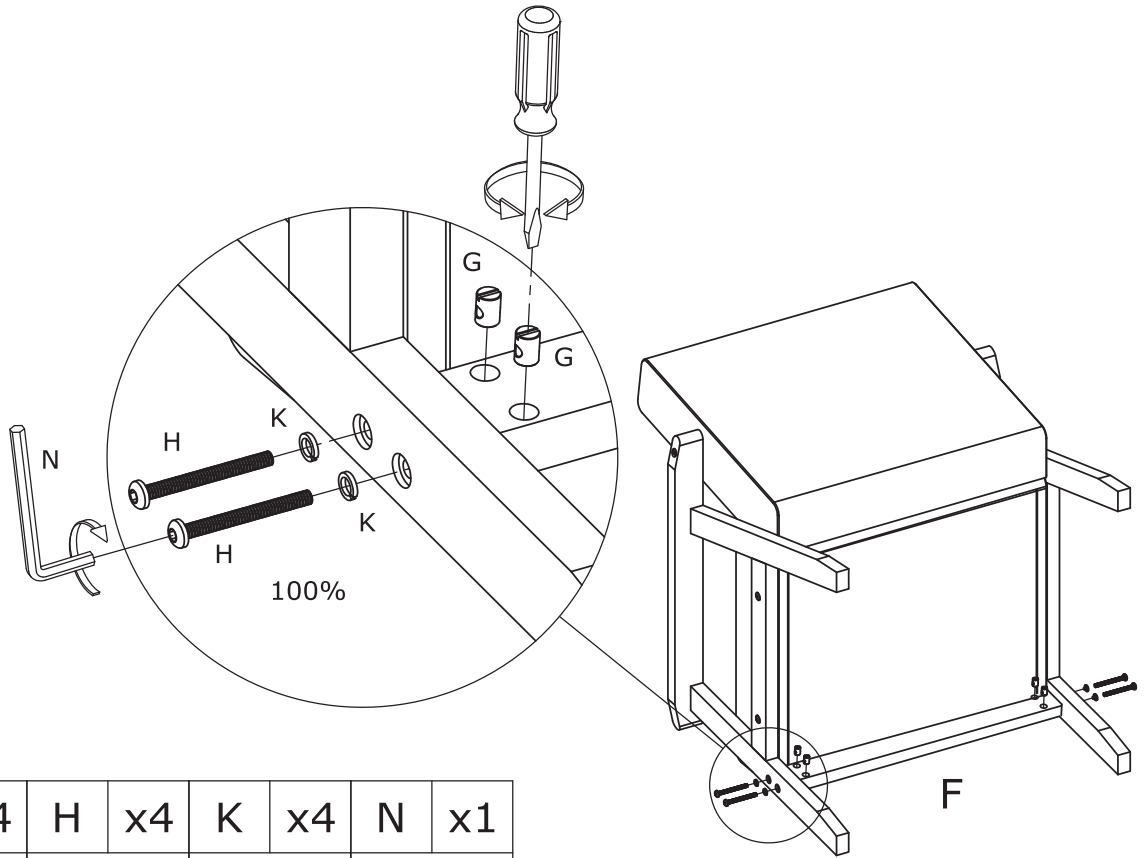





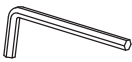
H	x2	K	x2	N	x1
	M8x60				

4

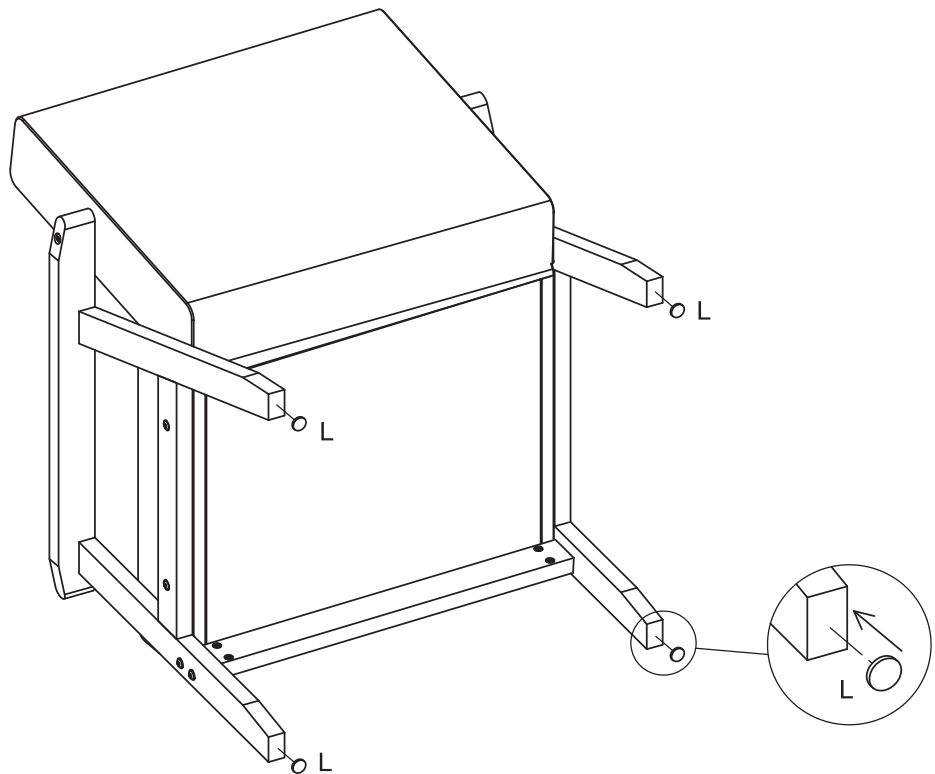


5



G	x4	H	x4	K	x4	N	x1
		 M8x60					

6



L	x4
