


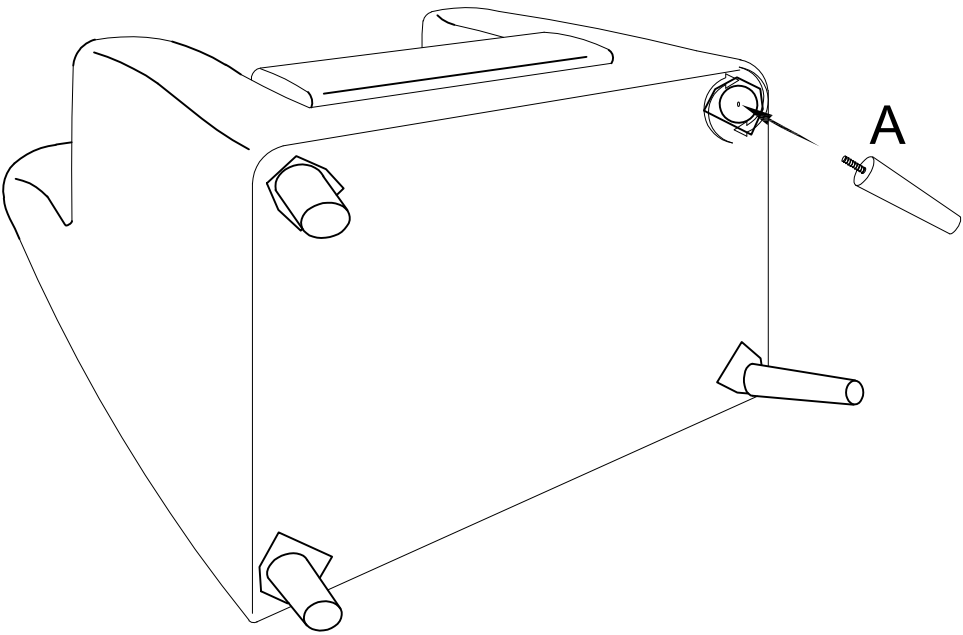
Assembly Instruction

Model: 88868

Assembly Part Description		Chair
A		4 pcs

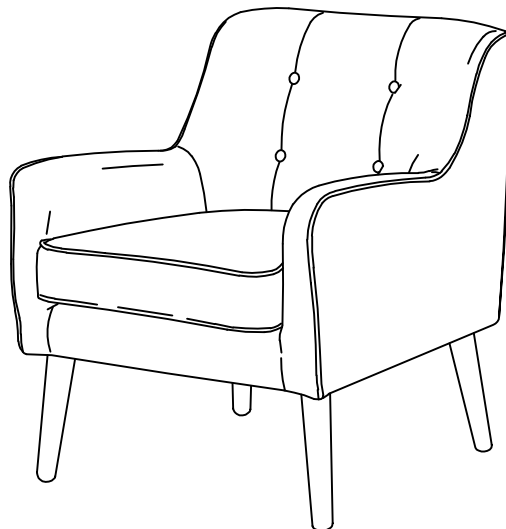


- Do not use power tools.
- Do not over-tight.
- Keep the packing materials and small parts out of reach of children.



STEP 1 :
Place (A) the wooden leg on the bottom of the sofa. Make sure the hole at the wooden leg line up with the hole on the bottom of the sofa. Tighten the wooden leg with clockwise direction. Repeat the same method until all the wooden legs are assembled.

Complete



FOR LEATHER AND P.U (Code"X")

Clean by lightly brushing and vacuuming only to remove dust and particles buildup.

Water-based foam cleaner or solvent based cleaning agents of any kind may cause excessive shrinking, staining or distortion of the surface pile and, therefore, should not be used.

FOR FABRIC (Code"WW")

-Use water-based agents only.

-Do not use solvents.

-Gently remove stains by blotting or hang washing.

-Do not use excessive brushing or rubbing.