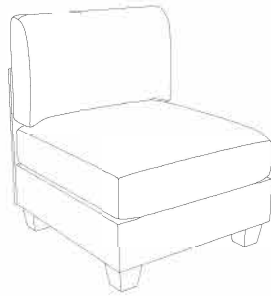


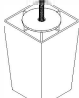







# ASSEMBLY INSTRUCTION

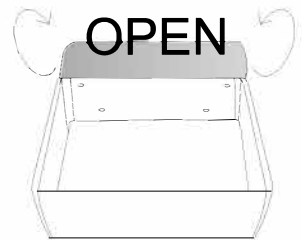
ITEM NO: 88019-A



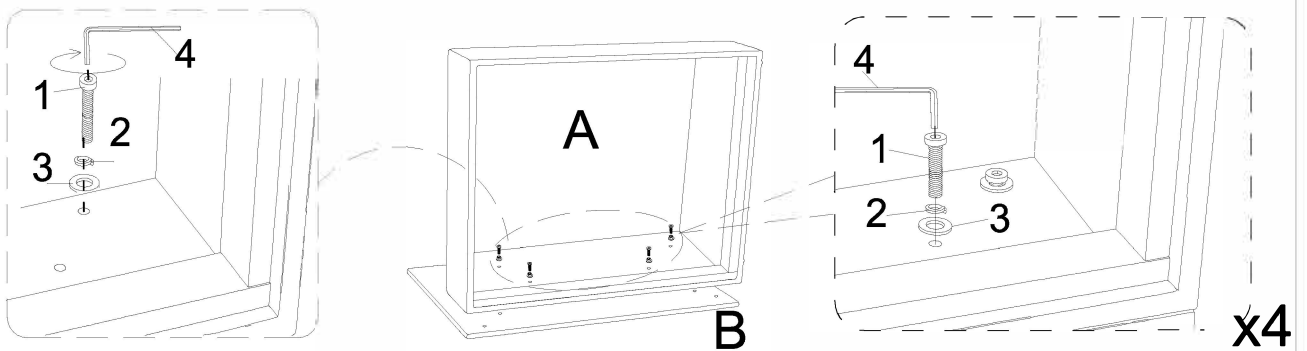
## PARTS LIST

	x1		x1		Leg x4		x4		x4		x4		x1		x2
<b>A</b>		<b>B</b>		<b>C</b>		<b>1</b>		<b>2</b>		<b>3</b>		<b>4</b>		<b>5</b>	

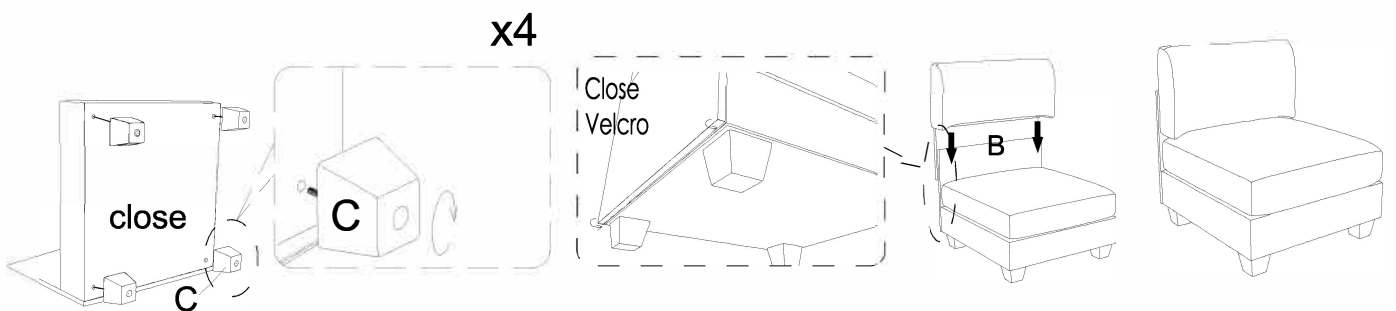
Open up Velcro of Non-Woven Fabric cover on the bottom of the to remove HARDWARE and legs.



Step1

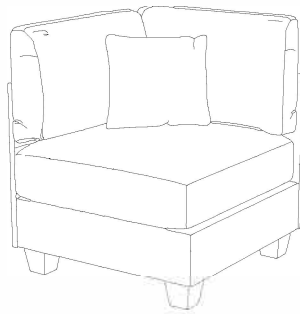


Step2

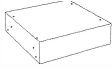









# ASSEMBLY INSTRUCTION

ITEM NO.:88019-C



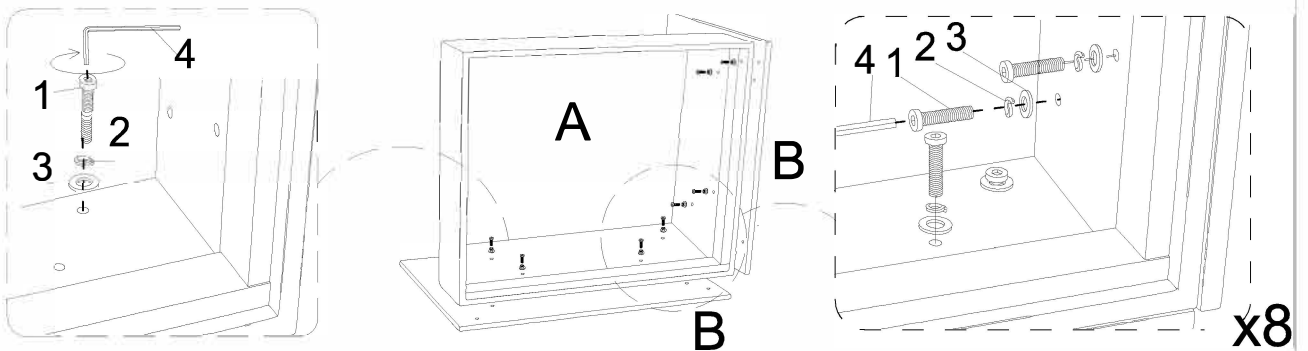
## PARTS LIST

	x1		x2		Leg x4		x1		x1		x1		x1		x1
<b>A</b>		<b>B</b>		<b>C</b>		<b>1</b>		<b>2</b>		<b>3</b>		<b>4</b>		<b>5</b>	

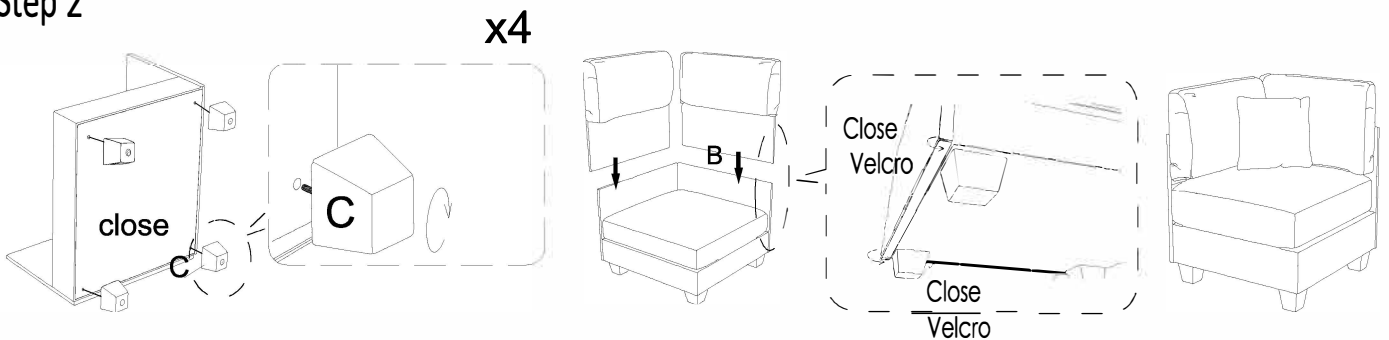
Open up Velcro of Non-Woven Fabric cover on the bottom of the to remove HARDWARE and legs.



Step 1

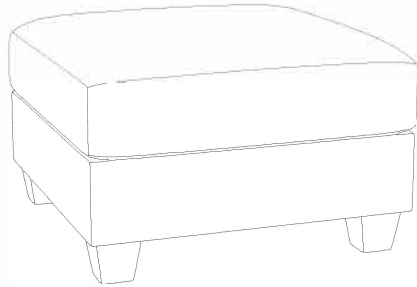


Step 2






# ASSEMBLY INSTRUCTION

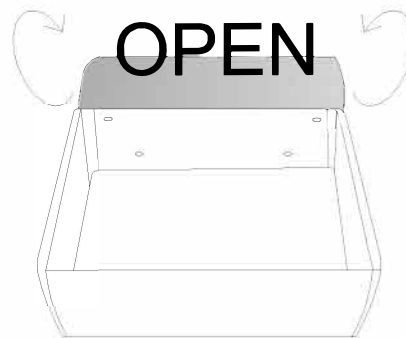
ITEM NO.:88019-O



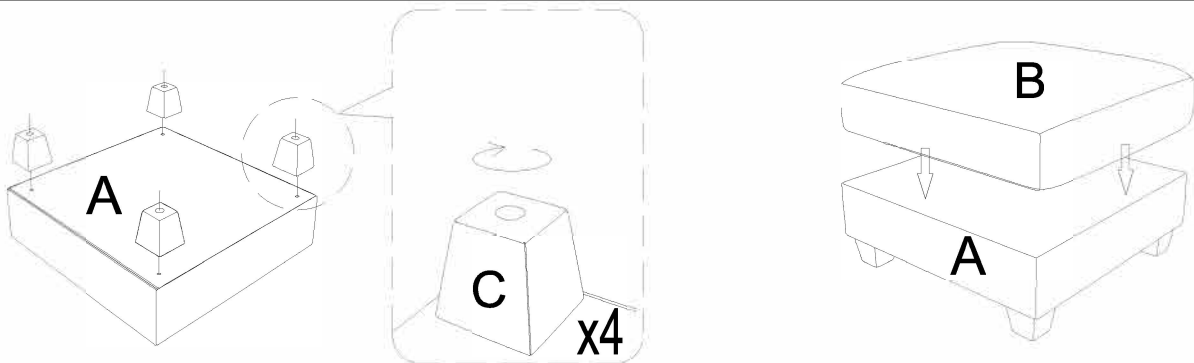
## PARTS LIST

	x1		x1		Leg	x4
<b>A</b>		<b>B</b>		<b>C</b>		

Open up Velcro of Non-Woven Fabric cover on the bottom of the to remove legs.



Step 1



Step 2

