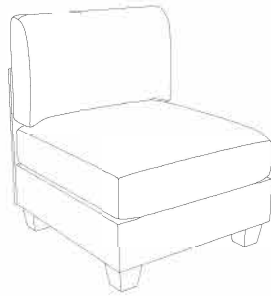


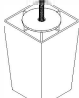







ASSEMBLY INSTRUCTION

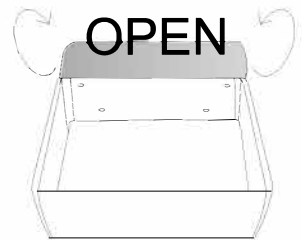
ITEM NO: 88019-A



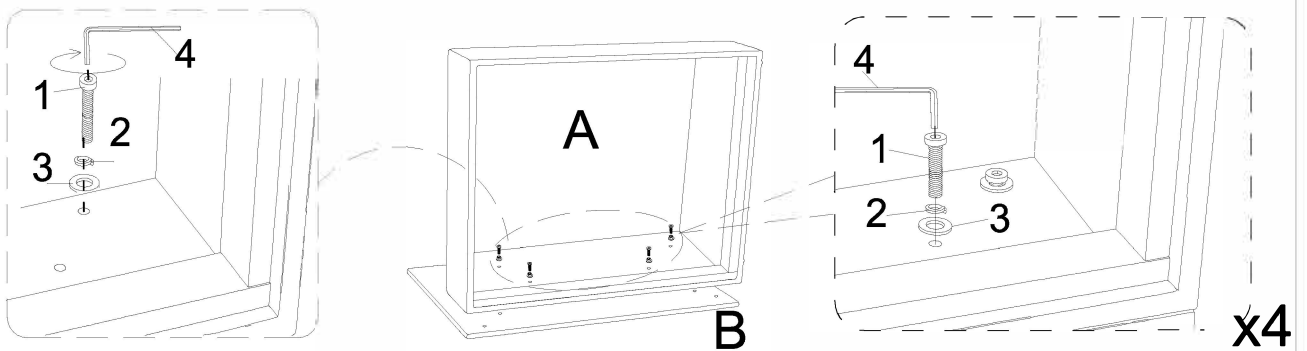
PARTS LIST

	x1		x1		Leg x4		x4		x4		x4		x1		x2
A		B		C		1		2		3		4		5	

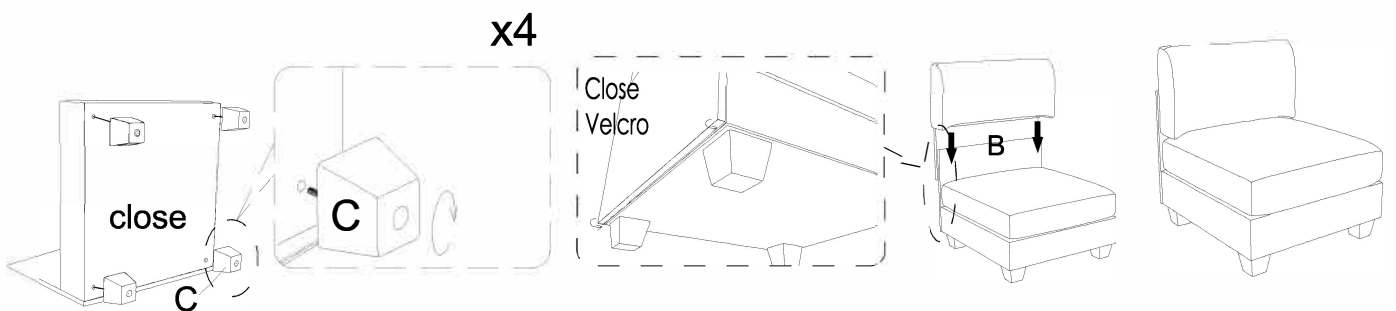
Open up Velcro of Non-Woven Fabric cover on the bottom of the to remove HARDWARE and legs.



Step1

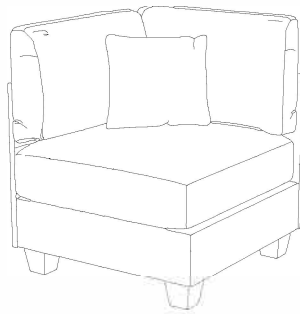


Step2

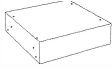













ASSEMBLY INSTRUCTION

ITEM NO.:88019-C



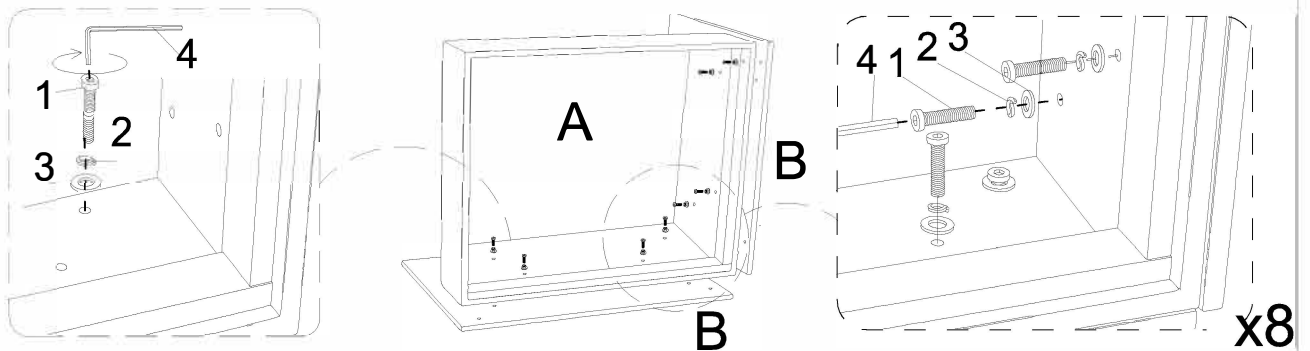
PARTS LIST

	x1		x2		Leg x4		x1		x1		x1		x1
	x8		x8		x8		x1		x1				

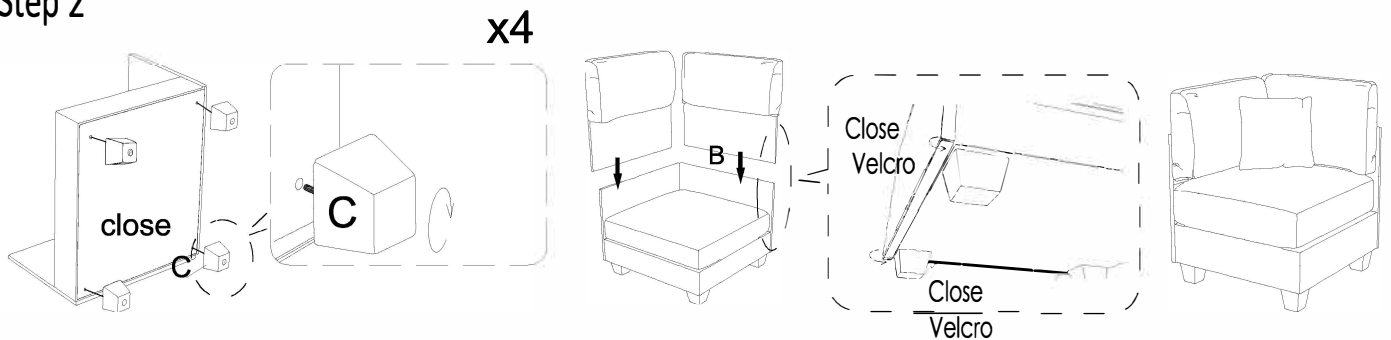


Open up Velcro of Non-Woven Fabric cover on the bottom of the to remove HARDWARE and legs.

Step 1

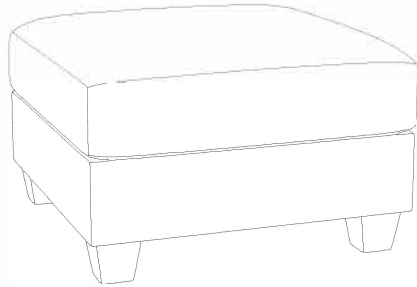


Step 2






ASSEMBLY INSTRUCTION

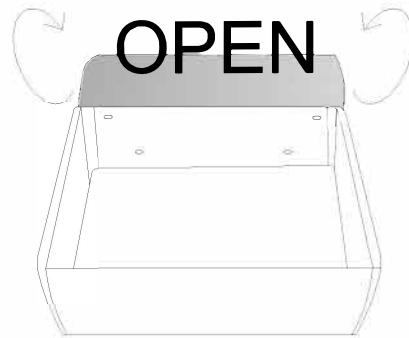
ITEM NO.:88019-O



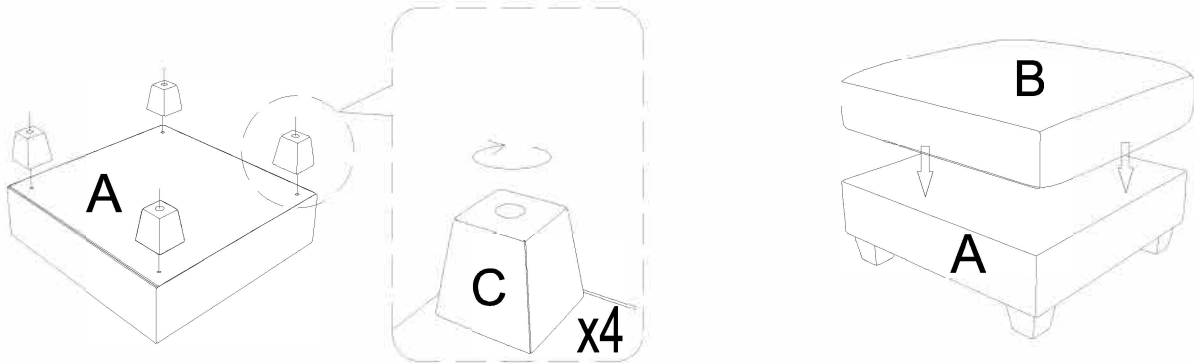
PARTS LIST

	x1		x1		Leg	x4
A		B		C		

Open up Velcro of Non-Woven Fabric cover on the bottom of the to remove legs.



Step 1



Step 2

