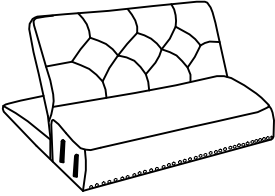
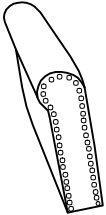
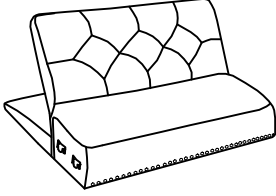
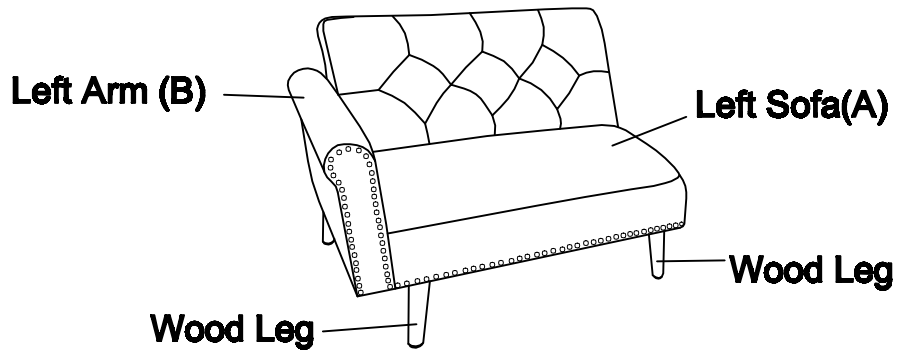


# Assembly Instructions

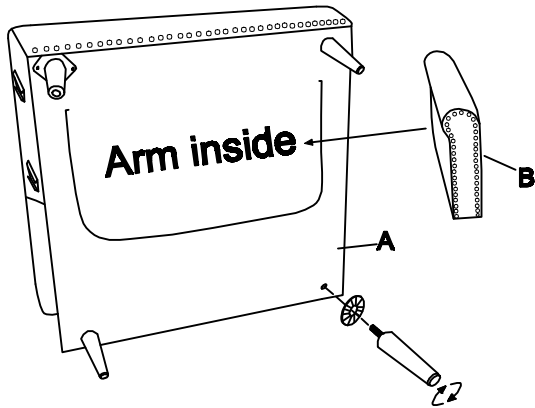
## Parts List

| Label | Picture   | Description | QTY |
|-------|---|-------------|-----|
| A     |    | Left Sofa   | 1   |
| B     |   | Left Arm    | 1   |
| C     |  | Middle Sofa | 1   |

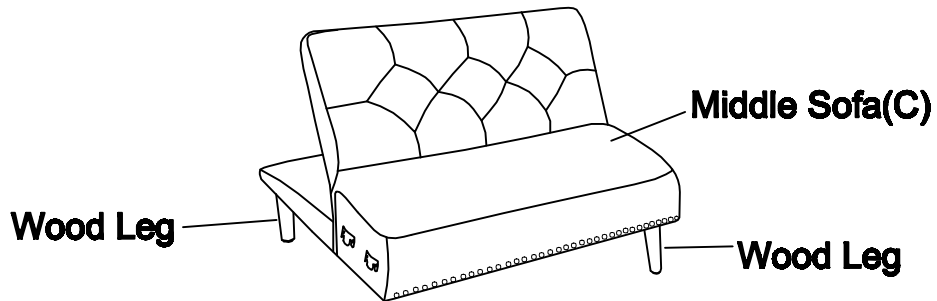
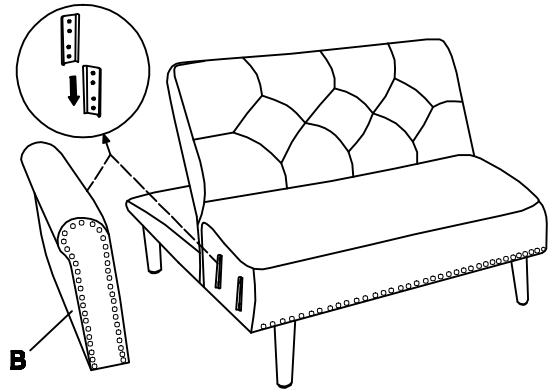
# Assembly Steps



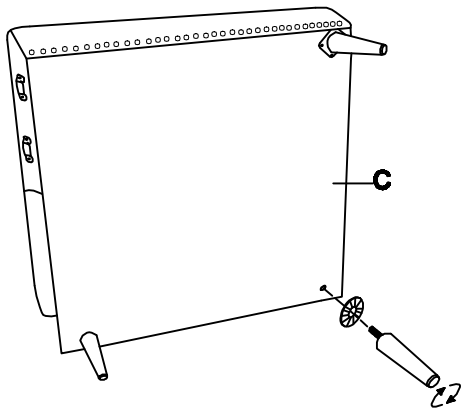
1



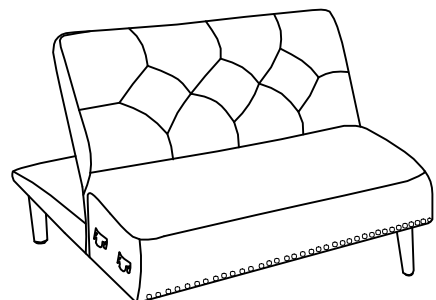
2



1

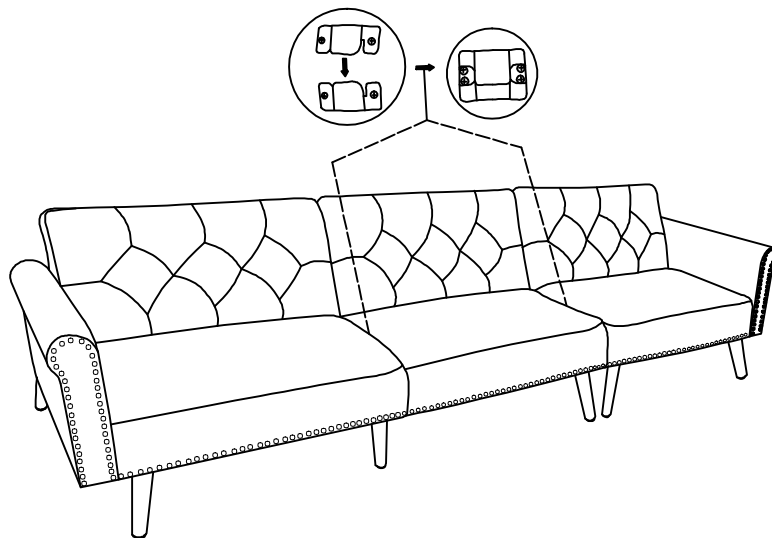


2

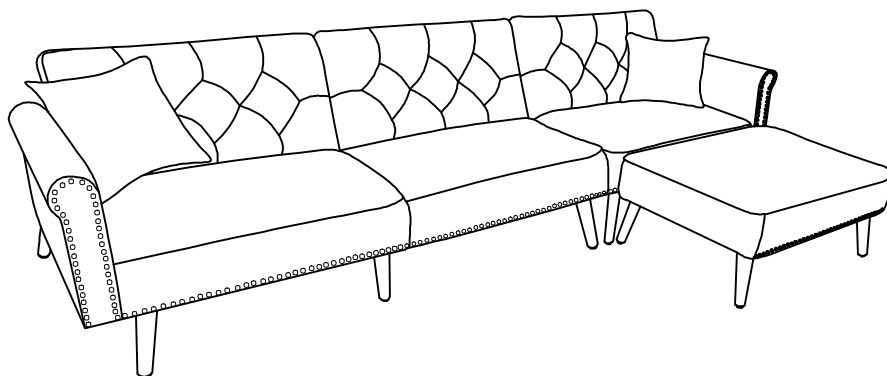


# Assembly Steps

1



2



3

