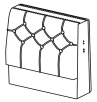
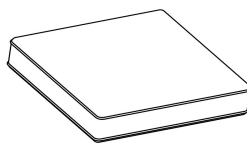
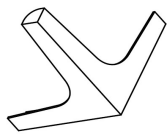
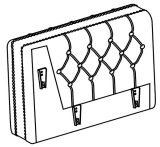
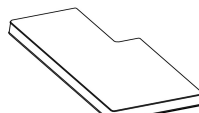
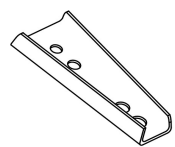
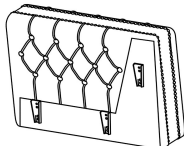
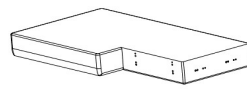
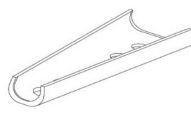
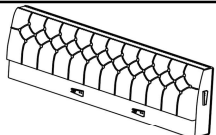


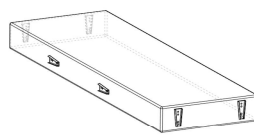



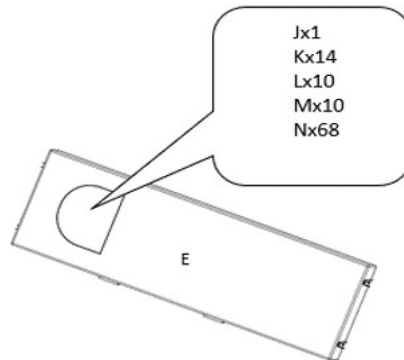
# Assembly Instructions

## PARTS LIST

ITEM	PIC	QTY	ITEM	PIC	QTY	ITEM	PIC	QTY
A	 1PCS IN THE CARTON 1/6 1PCS IN THE CARTON 6/6	2	F	 IN THE CARTON 3/6	3	K	 IN THE CARTON 2/6	14
B	 IN THE CARTON 1/6	1	G	 1PCS IN THE CARTON 4/6 1PCS IN THE CARTON 5/6	2	L	 IN THE CARTON 2/6	10
C	 IN THE CARTON 1/6	1	H	 1PCS IN THE CARTON 4/6 1PCS IN THE CARTON 5/6	2	M	 IN THE CARTON 2/6	10
D	 IN THE CARTON 2/6	1	I	 2PCS IN THE CARTON 3/6 2PCS IN THE CARTON 4/6 1PCS IN THE CARTON 5/6	5	N	 IN THE CARTON 2/6  M6*25mm	68
E	 IN THE CARTON 2/6	1	J	 IN THE CARTON 2/6	1			

## ASSEMBLY

### STEP 1

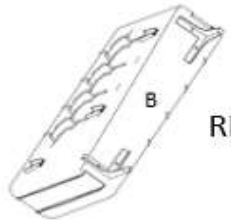


ALL THESE PARTS ARE INSIDE  
THE SEAT

STEP 2



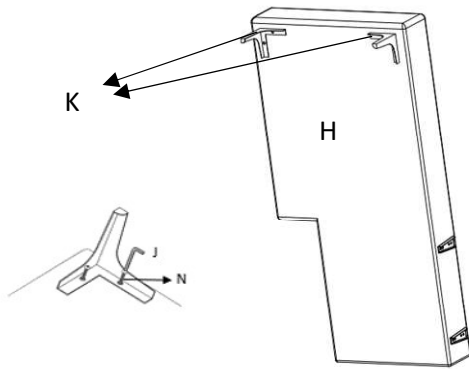
LEFT ARM



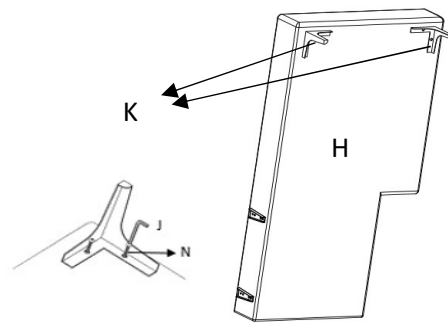
RIGHT ARM



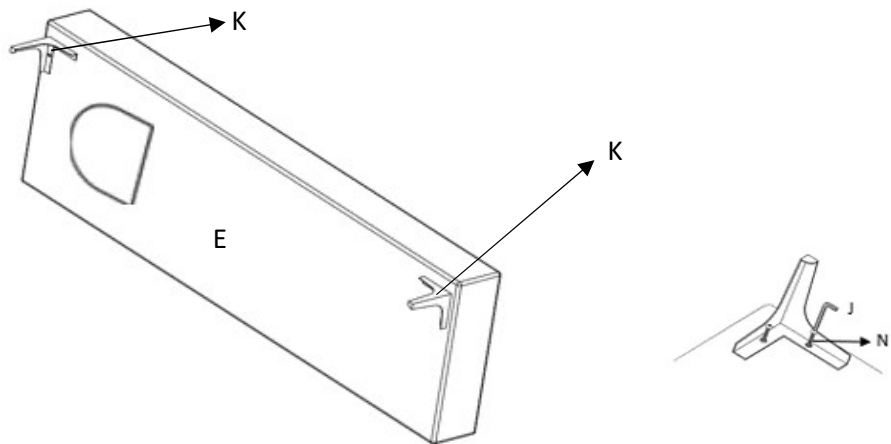
STEP 3



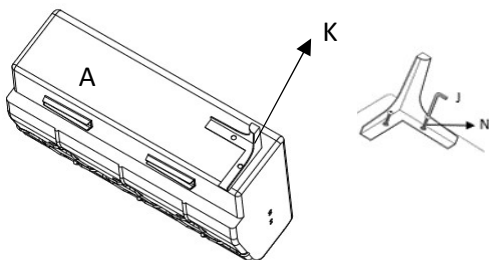
STEP 3



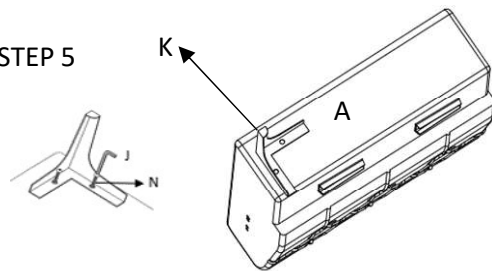
STEP 4



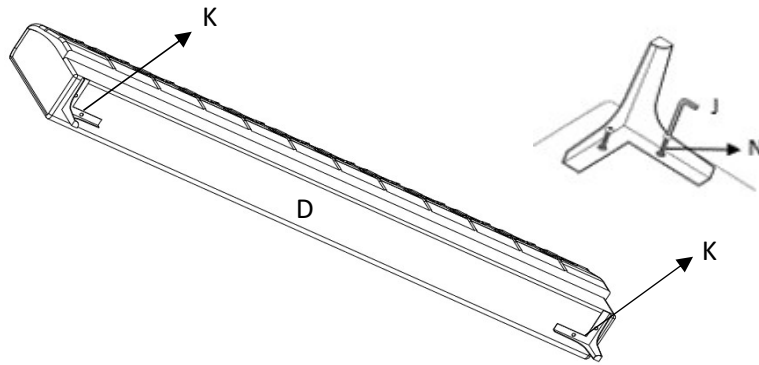
STEP 5



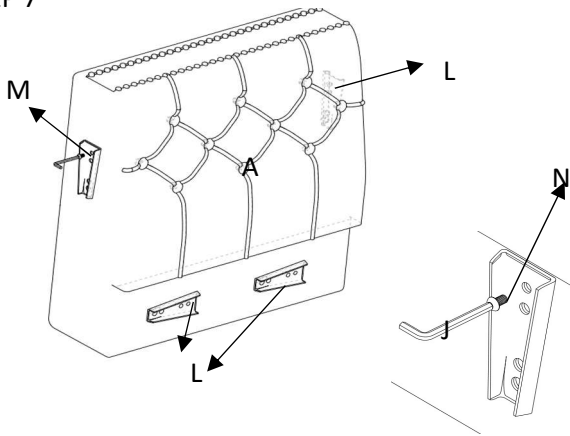
STEP 5



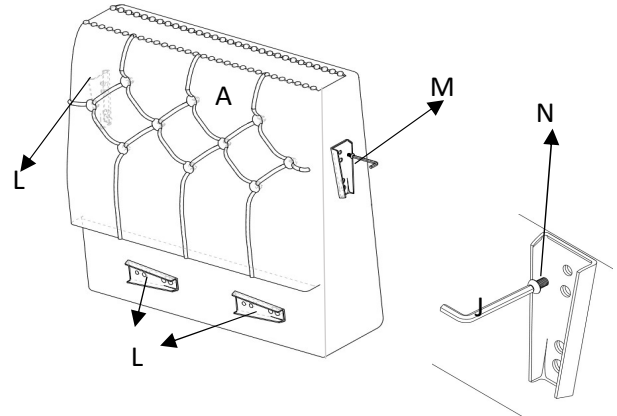
STEP 6



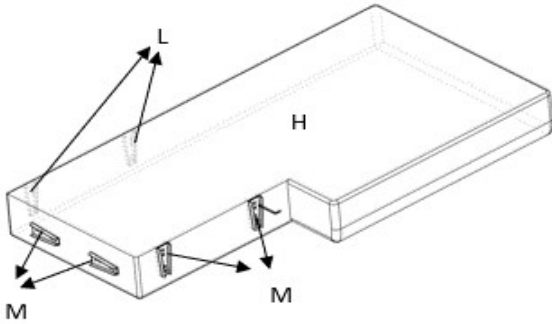
STEP 7



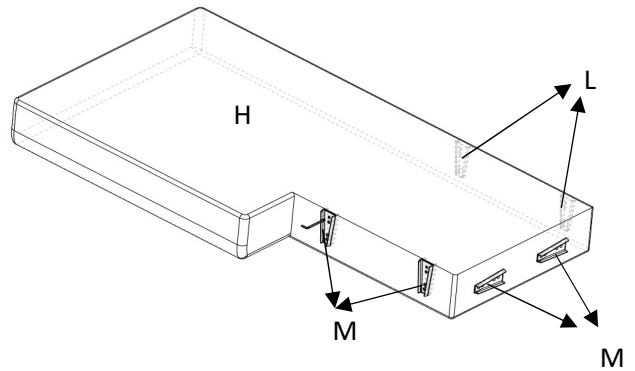
STEP 7



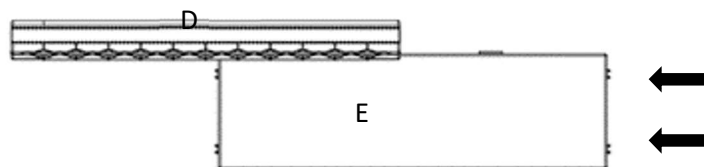
STEP 8



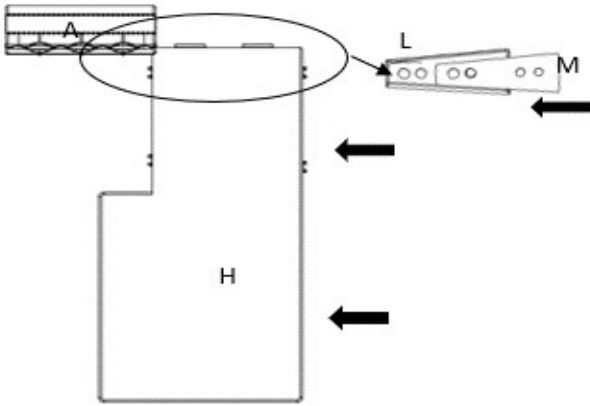
STEP 8



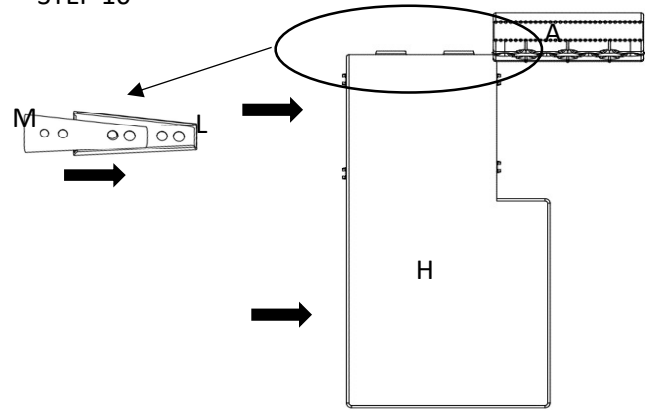
STEP 9



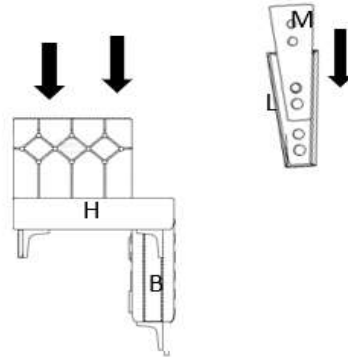
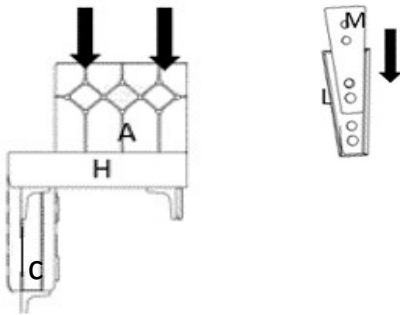
STEP 10



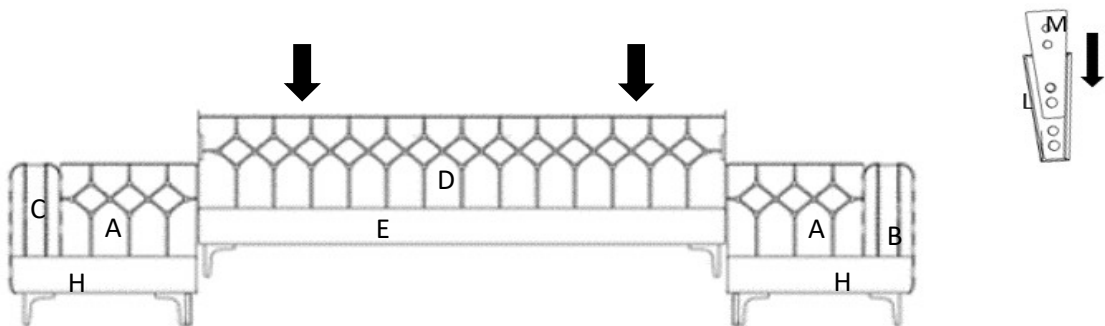
STEP 10



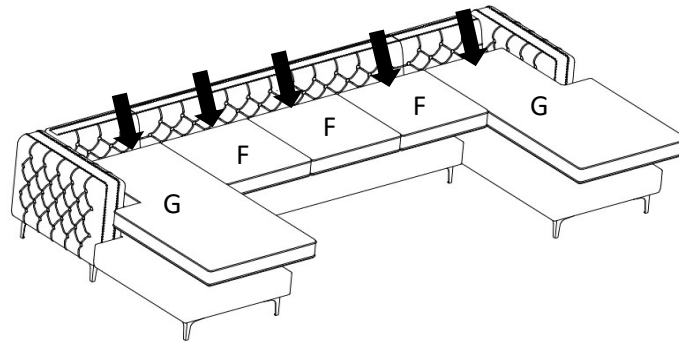
STEP 11



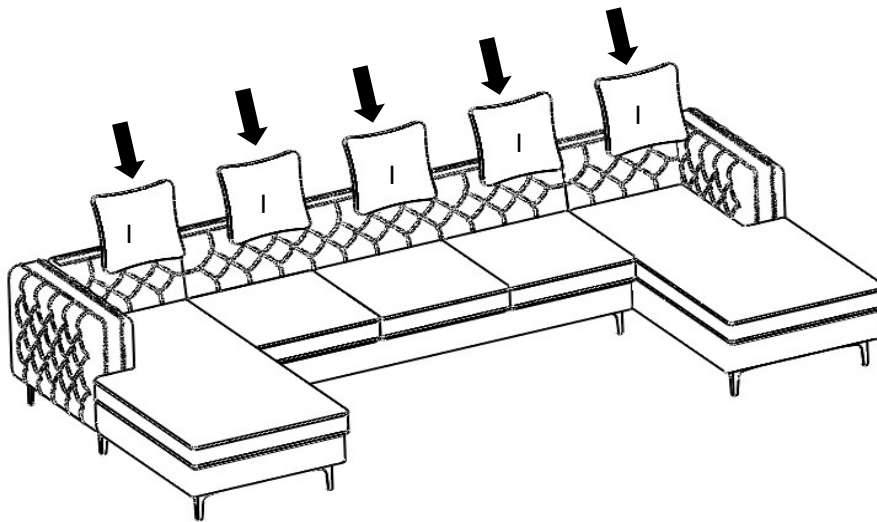
STEP 12



STEP 13



STEP 14



STEP 14

