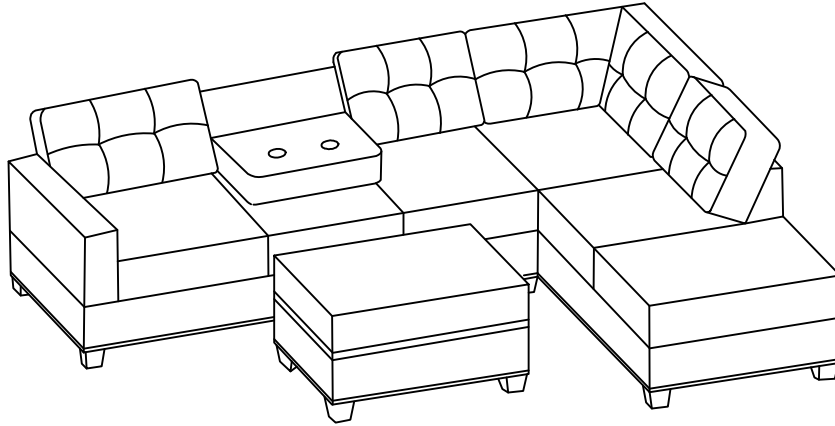


ASSEMBLY INSTRUCTION

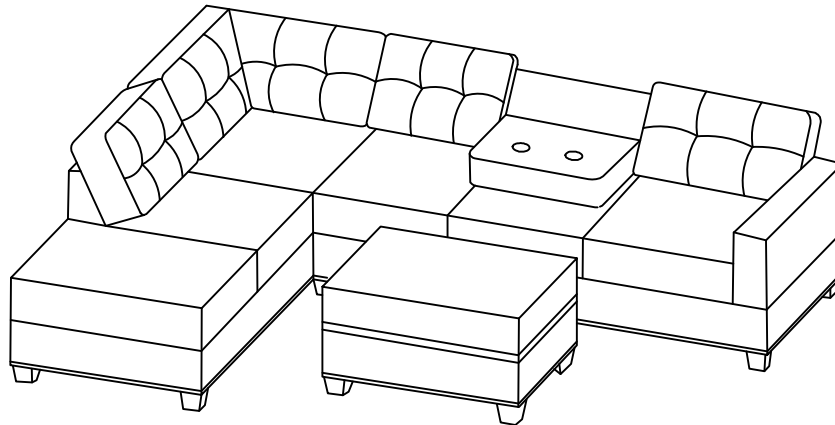
ITEM NO.: 87720-S/ 87720-C/ 87720-O/ 87721-S/ 87721-C/ 87721-O

Sectional can be assembled with right side facing chaise (configuration #1) or a left side facing chaise (configuration #2). See instructions below.

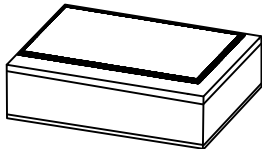
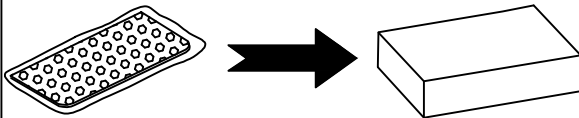
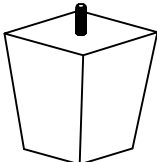
Configuration #1






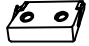












Configuration #2















OTTOMAN COMPONENT LIST

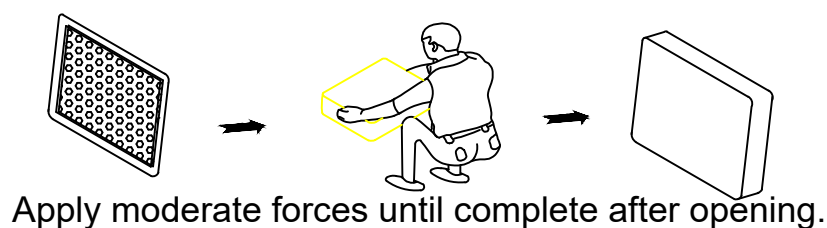
NO.	DRAWING	QTY	DESCRIPTION
X		1	STORAGE
Y		1	SEAT CUSHION
G		4	WOOD LEGS

CHAISE COMPONENT LIST

NO.	DRAWING	QTY	DESCRIPTION
A		1	CHAISE SEAT
B		1	CHAISE BACK REST
C		1	CHAISE BACK CORNER
R		1	SOFA MIDDLE BACK CUSHION
D		1	CHAISE BACK REST
E1		1	CHAISE BACK REST
E2		1	MIDDLE SEAT CUSHION
E3		1	FRONT SEAT CUSHION
F1		1	FRONT BACK CUSHION
F2		1	MIDDLE BACK CUSHION
F3		1	REAR BACK CUSHION
G		4	WOOD LEGS
H		6	PLAT WASHER Ø5/16' X 22MM
I		6	NUT Ø5/16" X 12MM
J		6	BOLT Ø5/16" X 50MM
T		1	ALLEN KEY

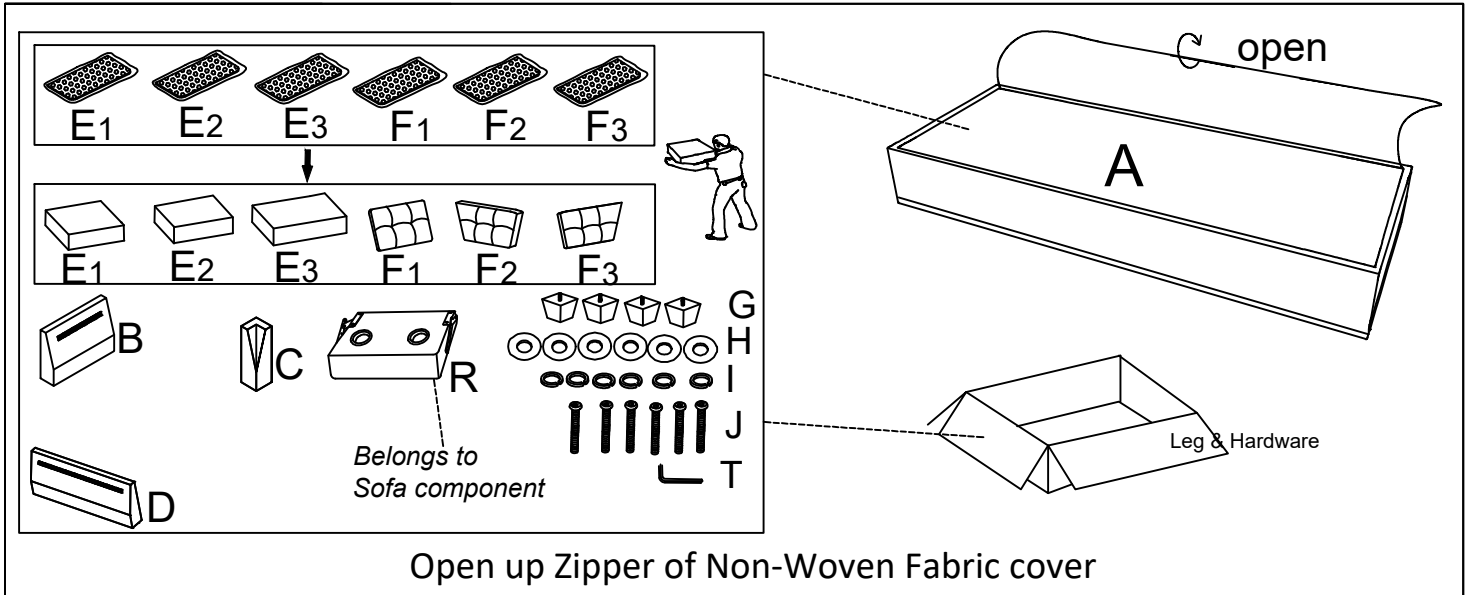
SOFA COMPONENT LIST

NO.	DRAWING	QTY	DESCRIPTION
M		1	SOFA SEAT
N		1	SOFA BACK REST
O		1	ARM
P		3	SOFA SEAT CUSHION
Q		2	SOFA BACK CUSHION
G		4	WOOD LEG
H		5	PLAT WASHER Ø5/16' X 22MM
I		5	NUT Ø5/16" X 12MM
J		5	BOLT Ø5/16" X 50MM
L		2	METAL CONNECTOR L100MM
S		4	BOLT Ø1/4" x 20MM
T		1	ALLEN KEY

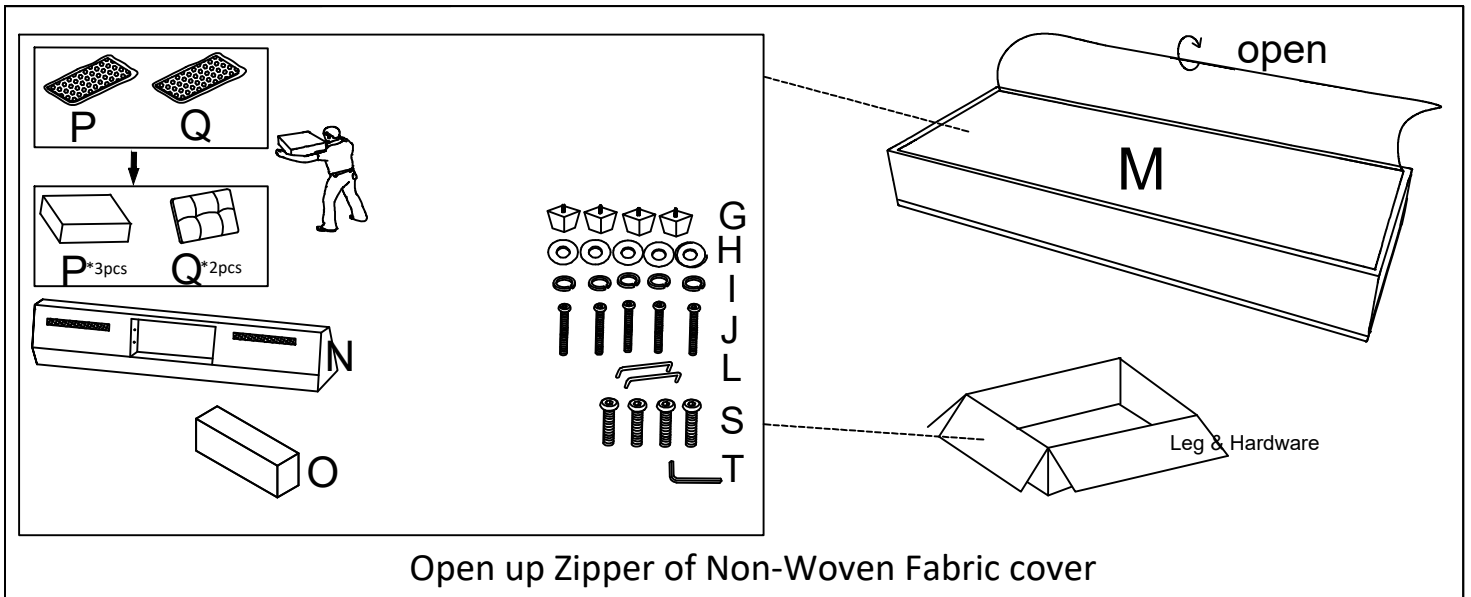


Please allow at least 24 hours for the cushions to recover to its natural state after removing from the package.

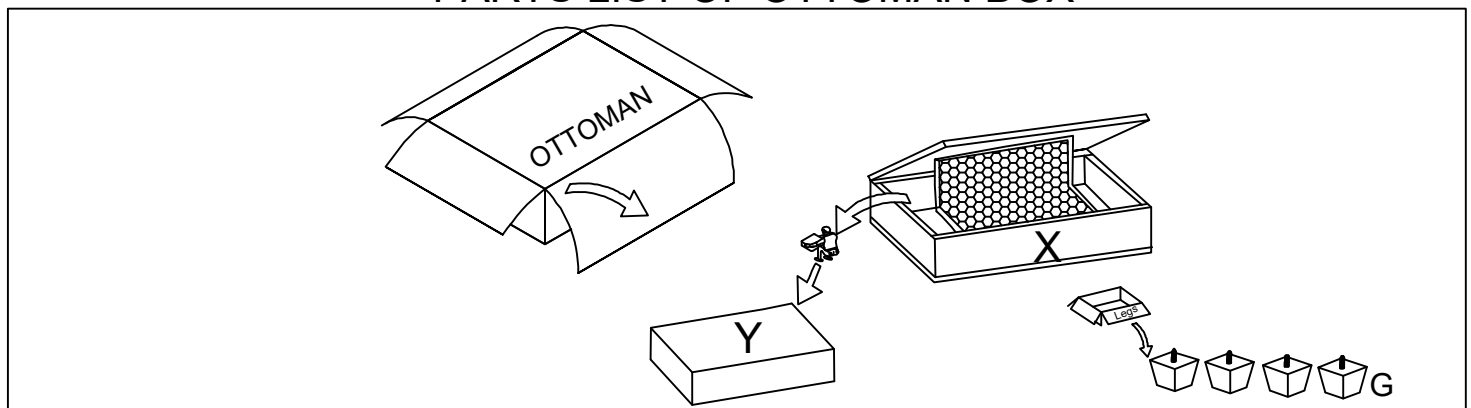
PARTS LIST OF CHAISE BOX



PARTS LIST OF SOFA BOX

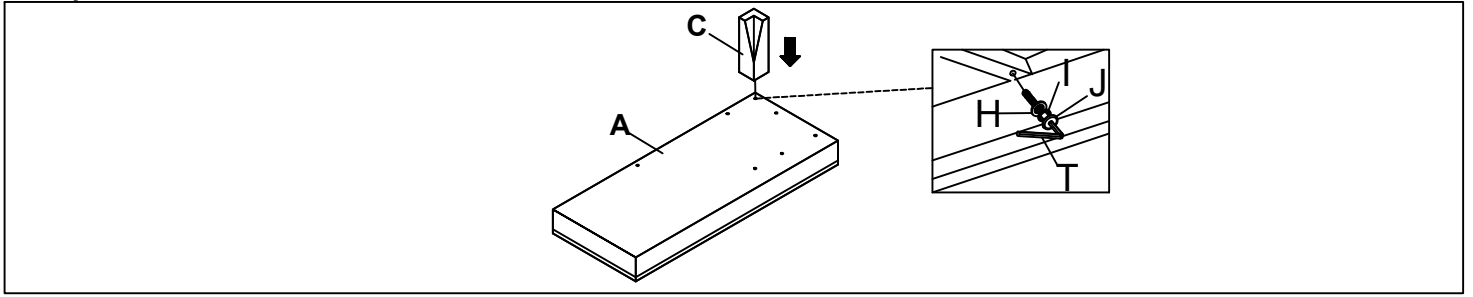


PARTS LIST OF OTTOMAN BOX

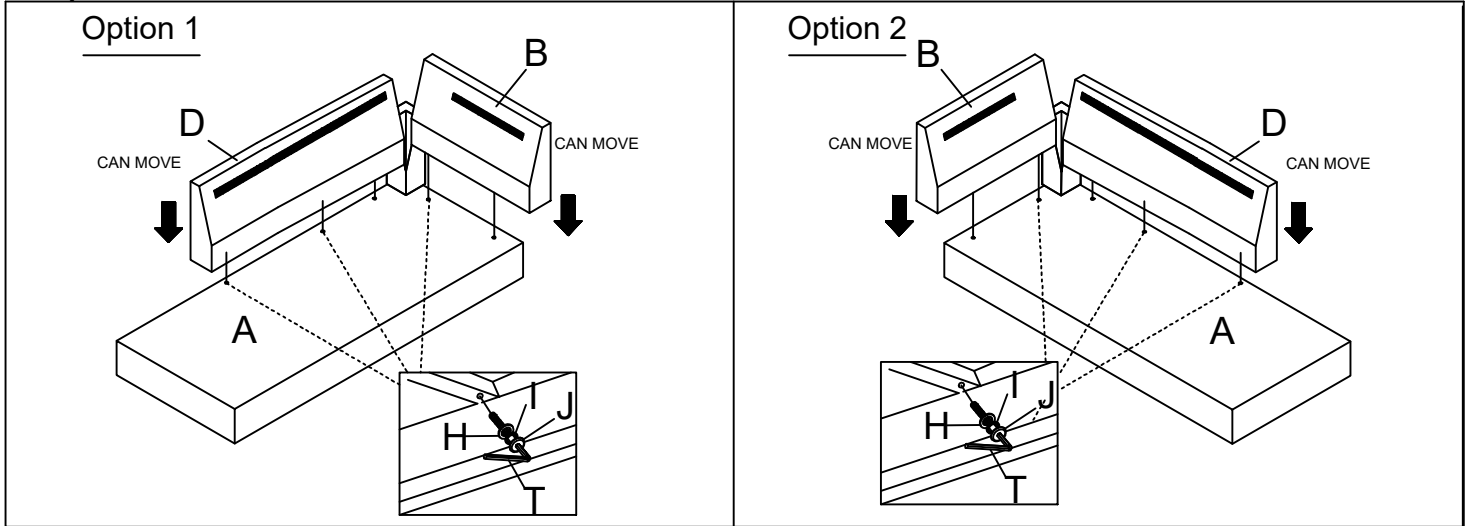


Please allow at least 24 hours for the cushions to recover to its natural state after removing from the package.

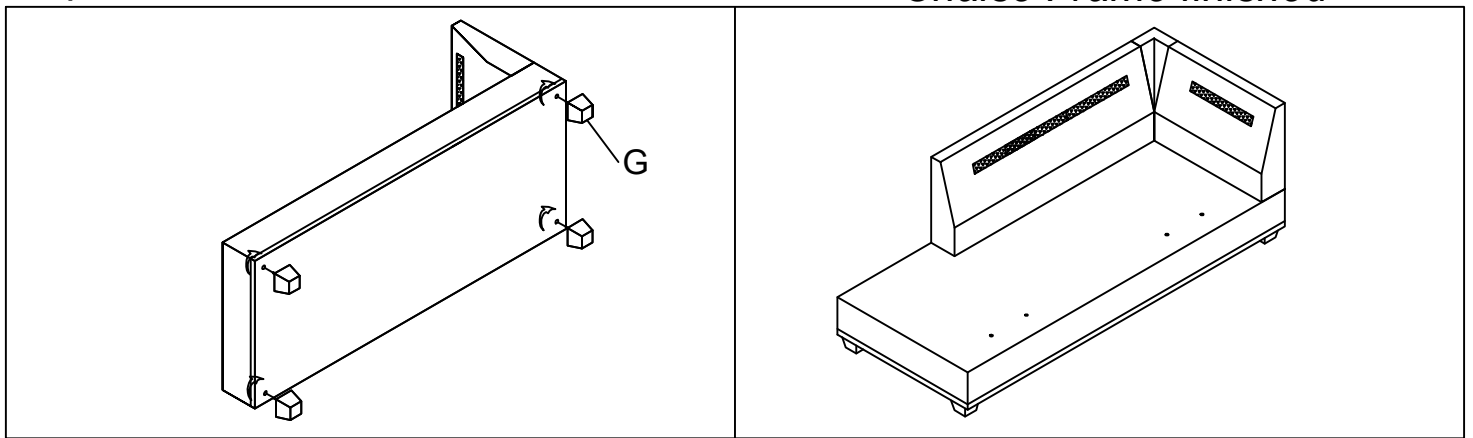
Step 1



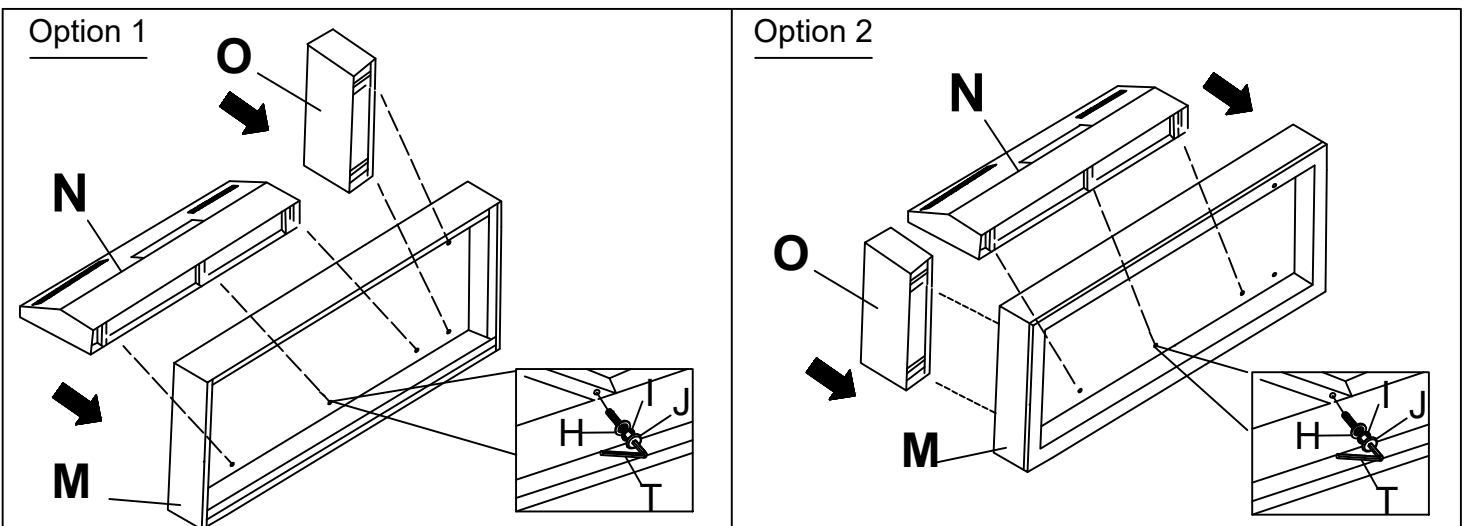
Step 2



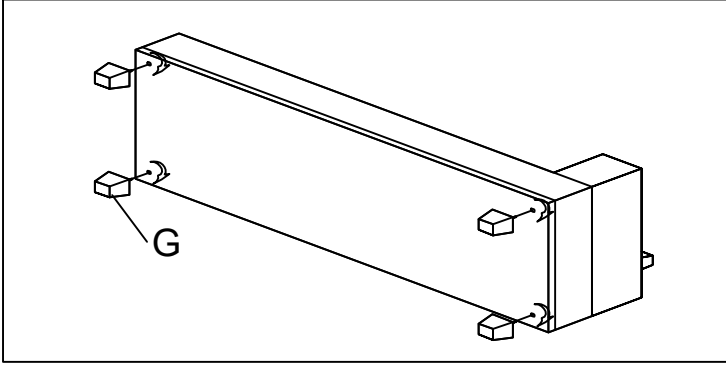
Step 3



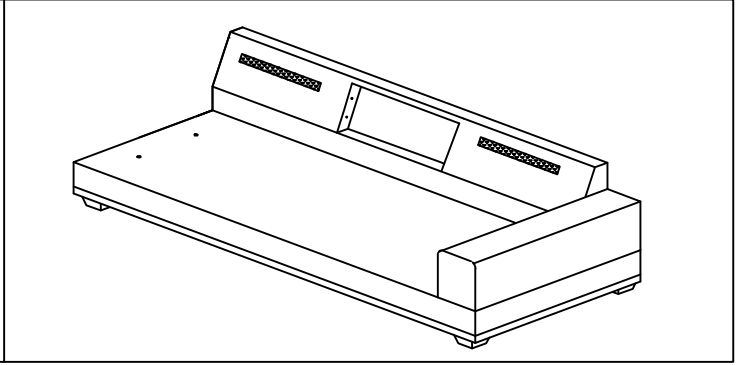
Step 4



Step 5

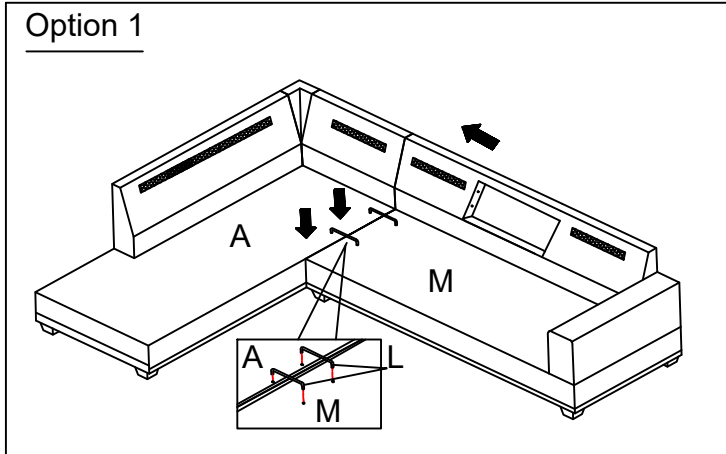


Sofa Frame finished

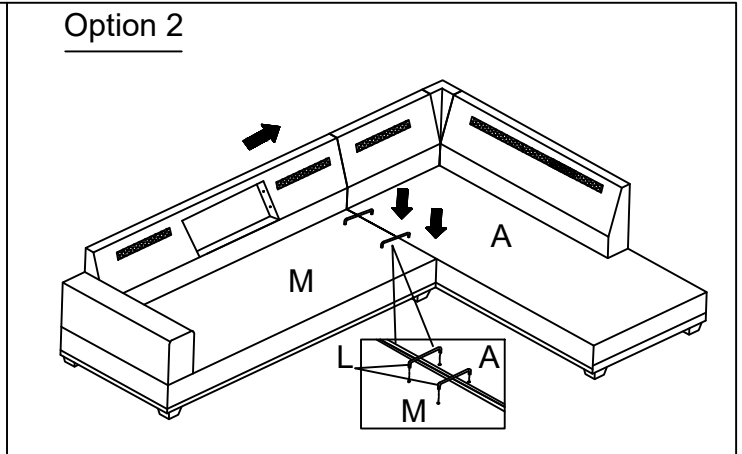


Step 6

Option 1

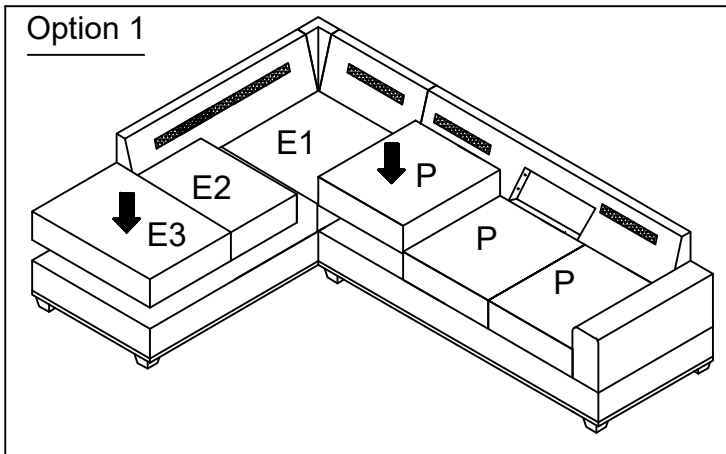


Option 2

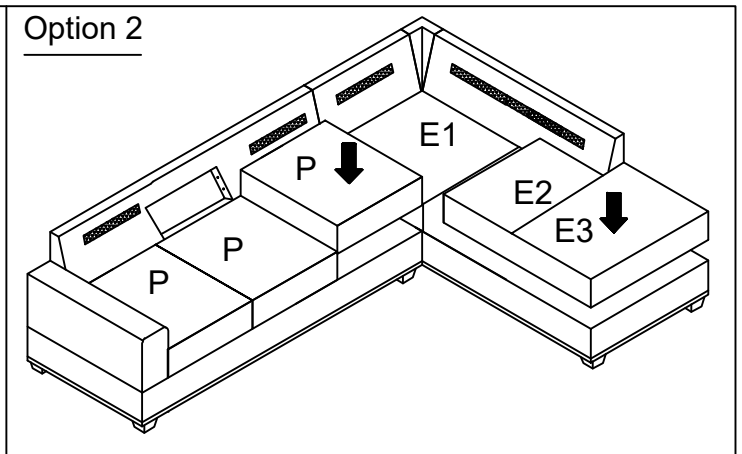


Step 7

Option 1

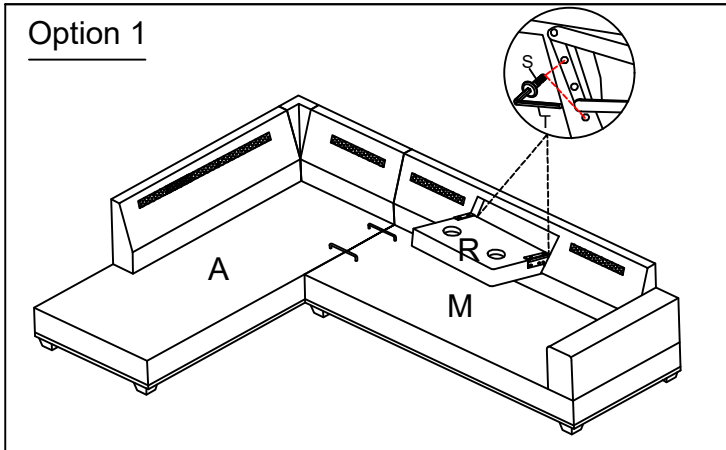


Option 2

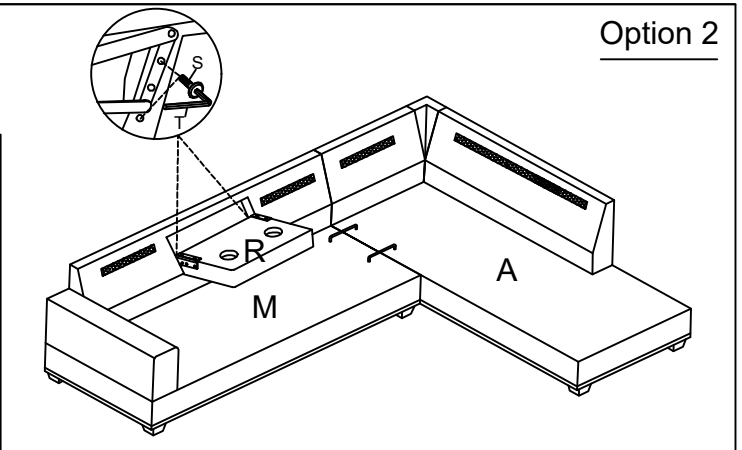


Step 8

Option 1

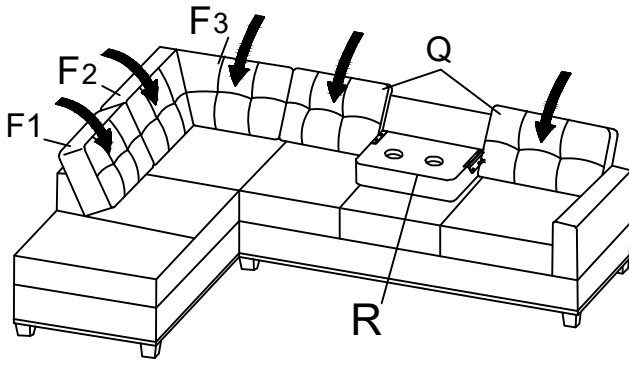


Option 2

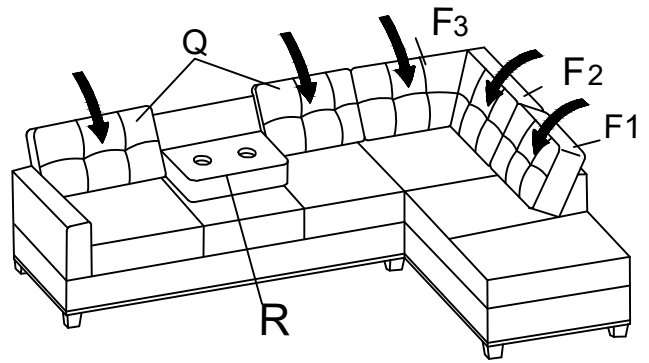


Step 9

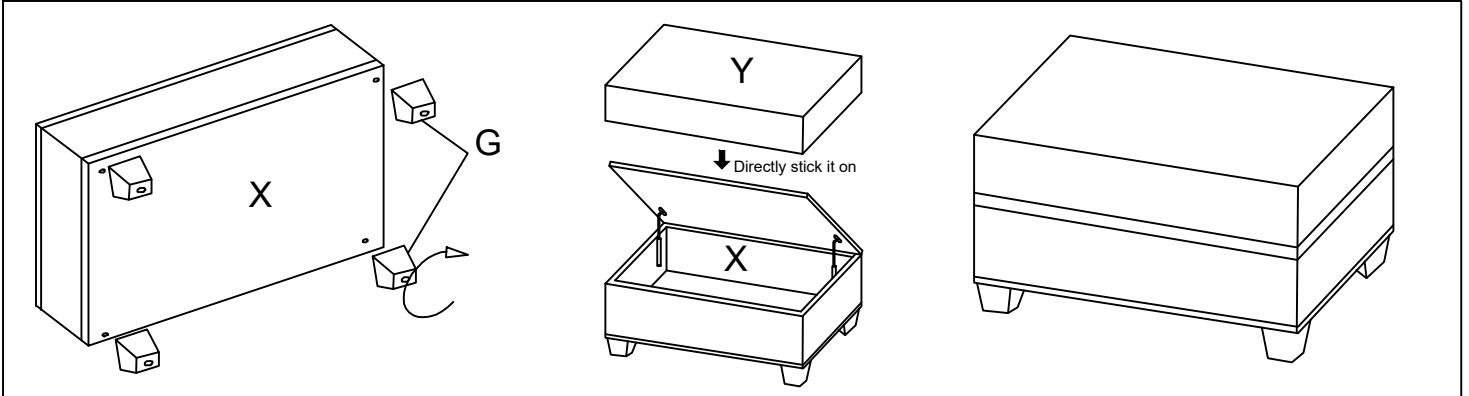
Option 1



Option 2

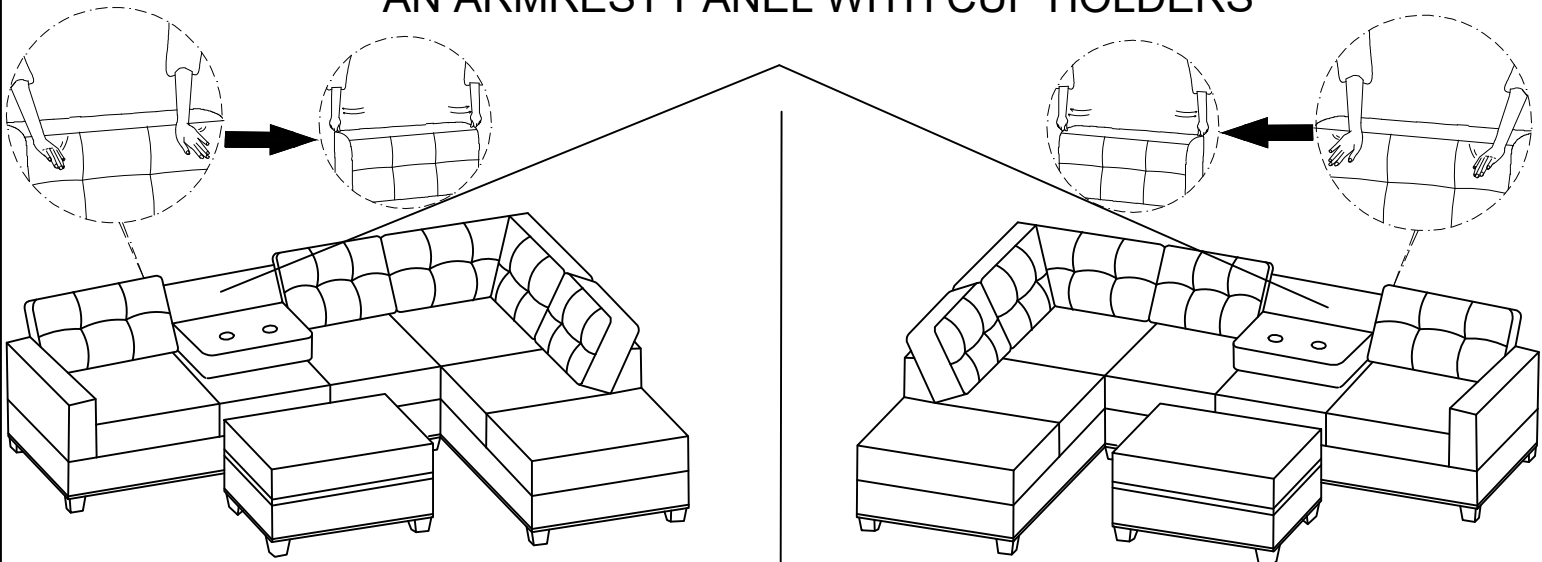


Step 10



Assembly Completed !

THE CONSOLE PIECE CAN BE DROPPED DOWN AND TURN INTO AN ARMREST PANEL WITH CUP HOLDERS



CHAISE ON RIGHT

CHAISE ON LEFT