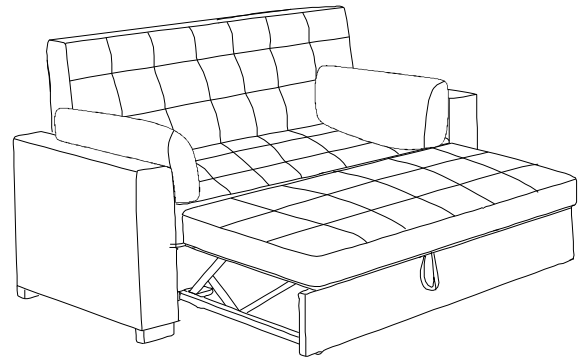
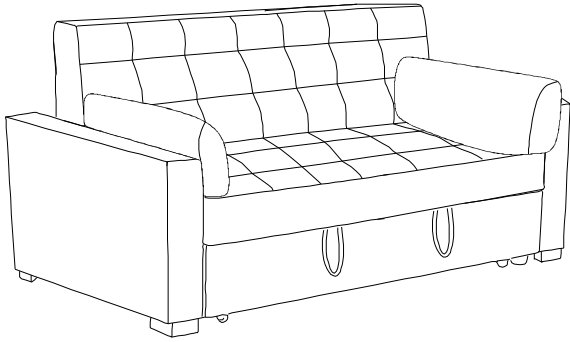
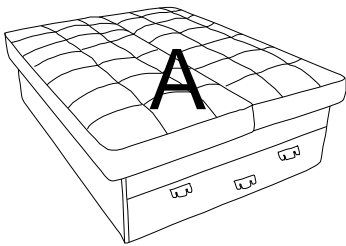


ASSEMBLY INSTRUCTIONS

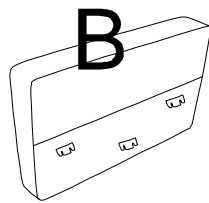
ITEM NO.: 83013/83014



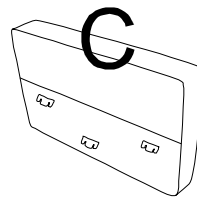
PARTS LIST



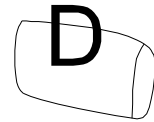
x1



x1



x1



x2

HARDWARE LIST



1

x8



2

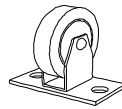
x12



M4

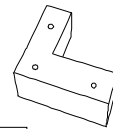
3

x1



4

x4



5

x4

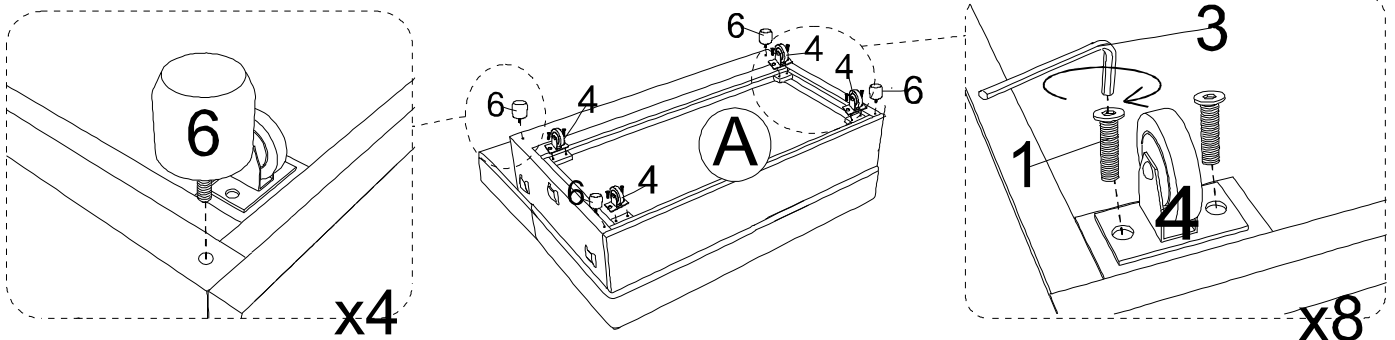


6

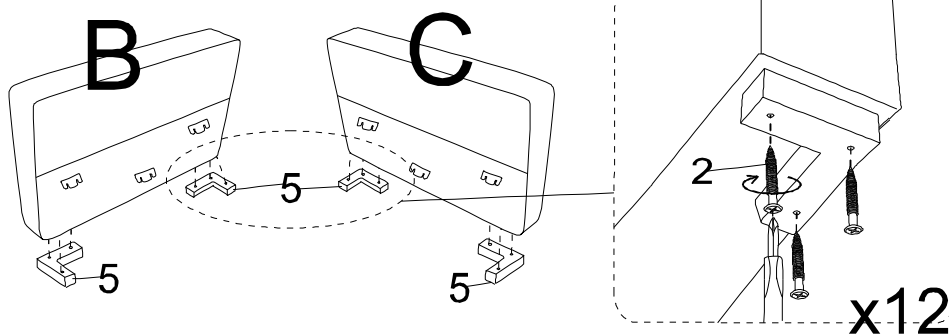
x4

ASSEMBLY INSTRUCTION-BOX-1

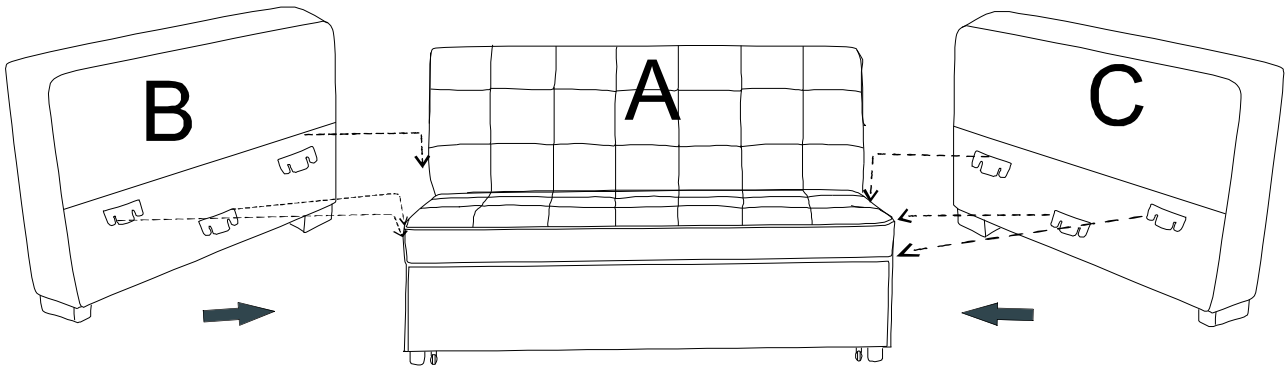
Step1



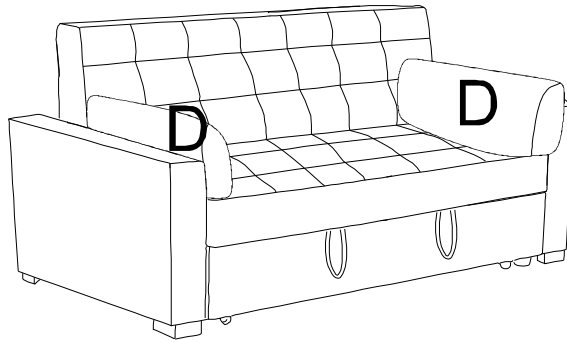
Step2



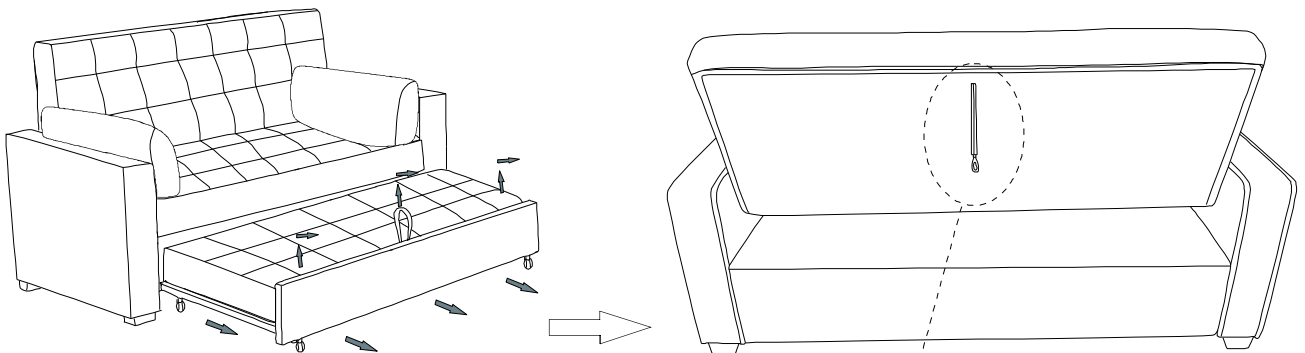
Step3



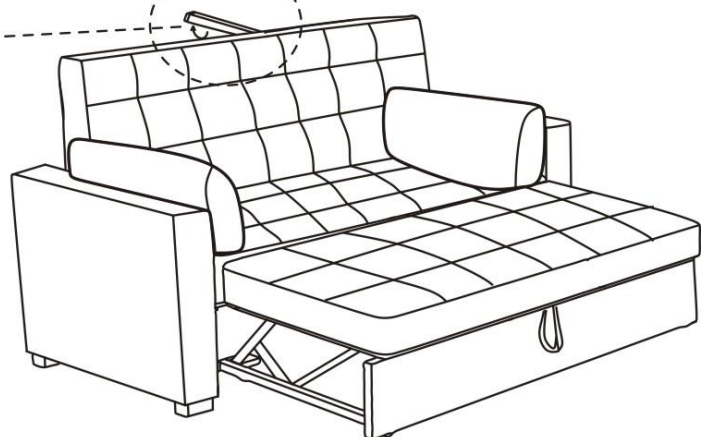
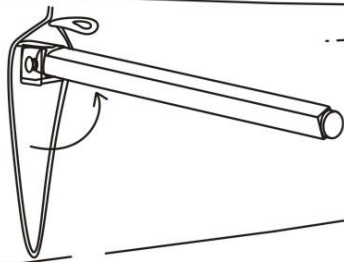
Step4



Step5



Open: Take the leg out directly



Step6

