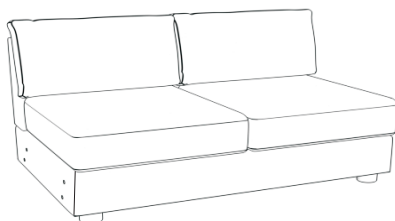
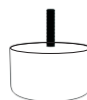
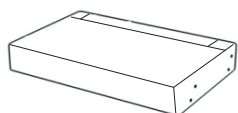


ASSEMBLY INSTRUCTION

ITEM NO.: 81803-LS

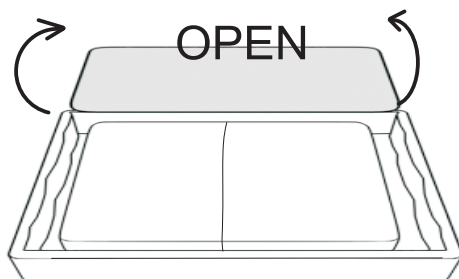


PARTS LIST



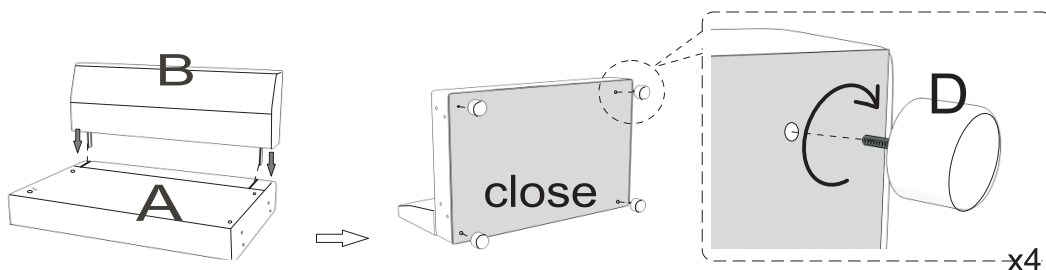
A x1 **B** x1 **D** Leg x4 **5** x2

Open up Velcro of Non-Woven Fabric cover on the bottom of the seat frame to remove **seat cushions, Back cushions and legs**

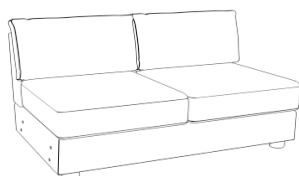


2-SEAT ASSEMBLY INSTRUCTION

Step1

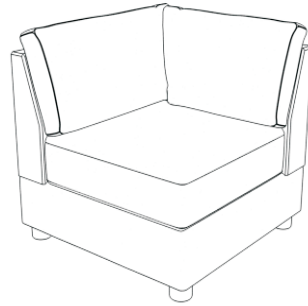


81803-LS

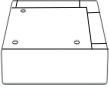


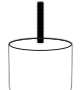



ASSEMBLY INSTRUCTION

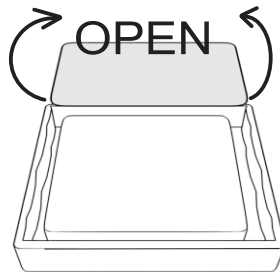
ITEM NO.: 81803-C



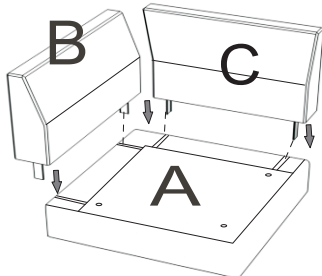
PARTS LIST

										
A	x1	B	x1	C	x1	D	Leg	x4	5	x2

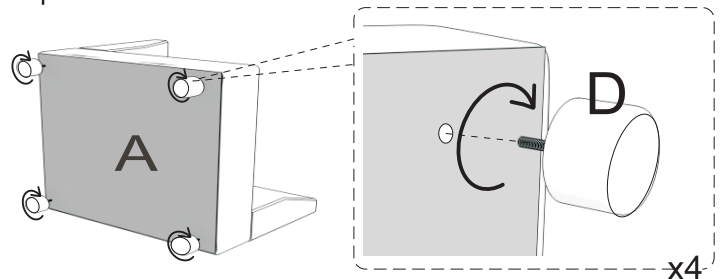
Open up Velcro of Non-Woven Fabric cover on the bottom of the seat frame to remove **seat cushions, Back cushions and legs.**



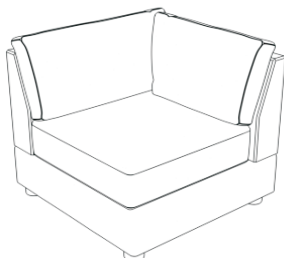
Step1



Step2

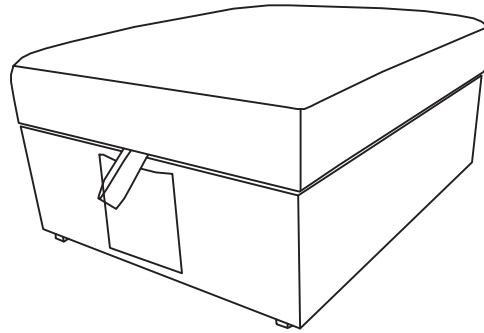


Step3



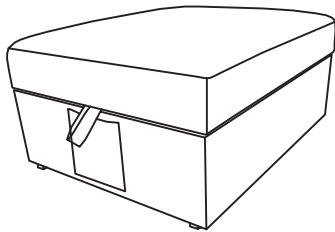
ASSEMBLY INSTRUCTION

ITEM NO.: 81803-O



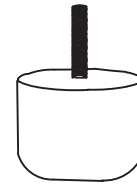
PARTS LIST

A



X1

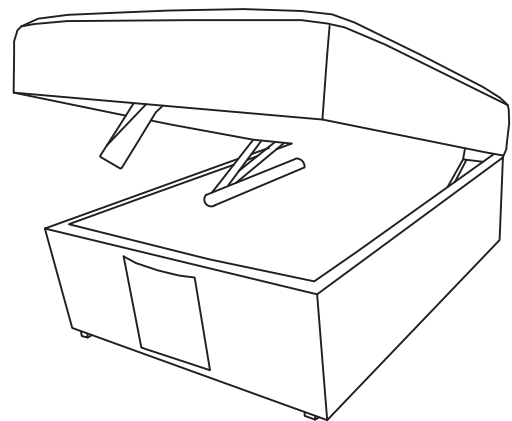
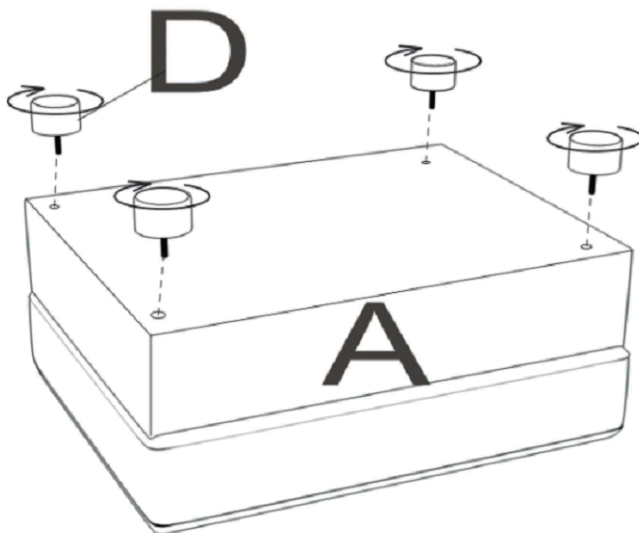
D



LEG

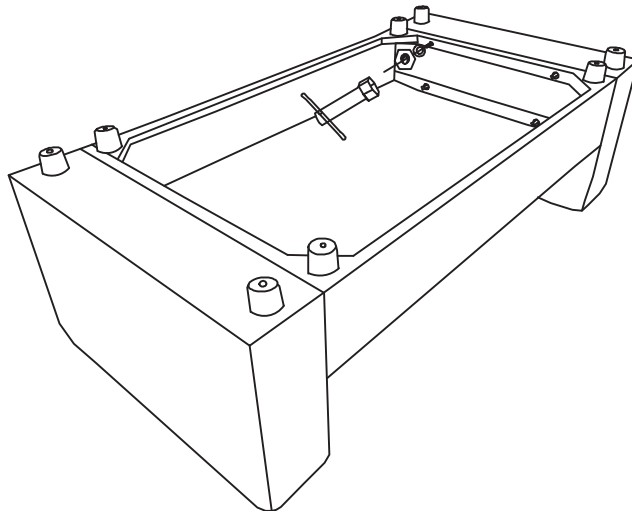
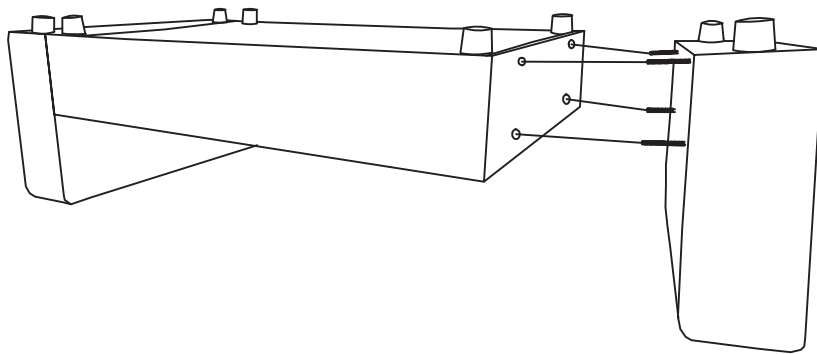
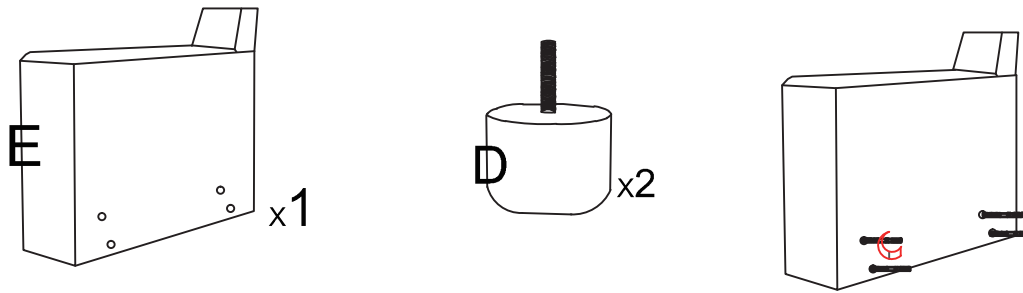
X4

Step1



ASSEMBLY INSTRUCTION

ITEM NO.: 81803-ARM



1

x4



2

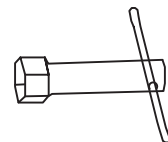
x4



3

x4

4



x1