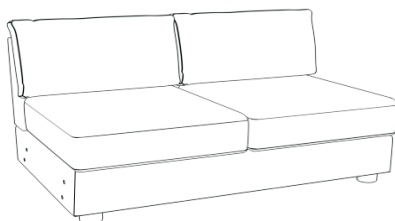
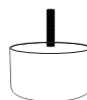
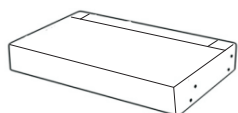


ASSEMBLY INSTRUCTION

ITEM NO.: 81803-LS



PARTS LIST



A

x1

B

x1

D

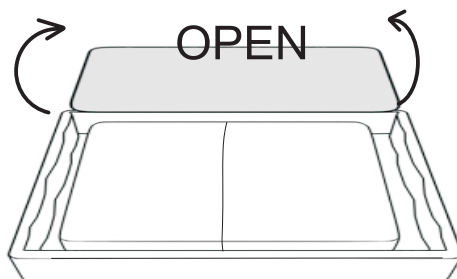
Leg

x4

5

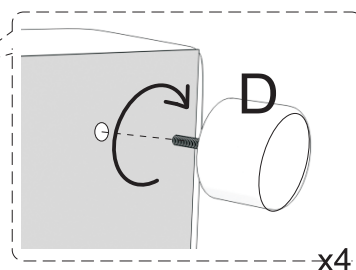
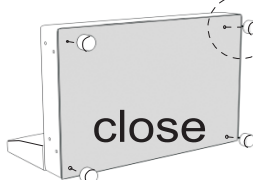
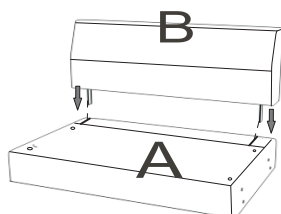
x2

Open up Velcro of Non-Woven Fabric cover on the bottom of the seat frame to remove **seat cushions, Back cushions and legs**

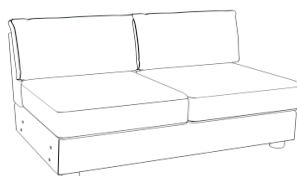


2-SEAT ASSEMBLY INSTRUCTION

Step1

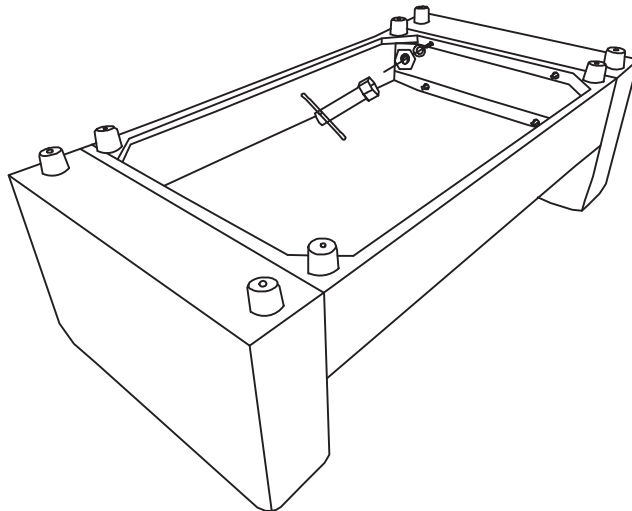
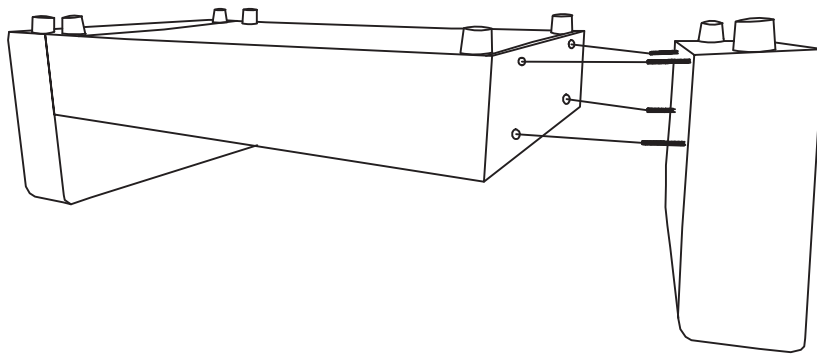
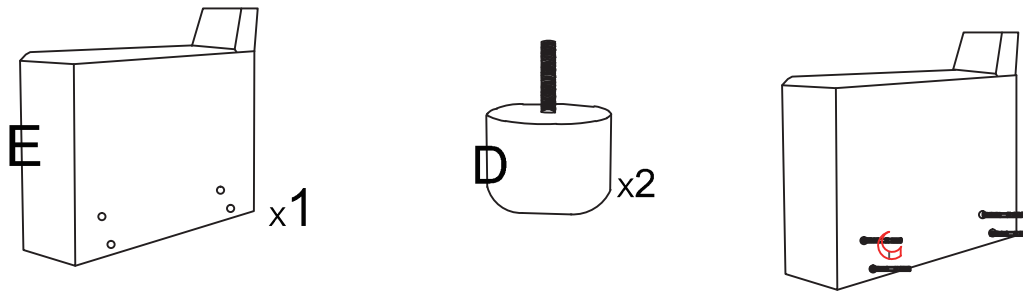


81803-LS



ASSEMBLY INSTRUCTION

ITEM NO.: 81803-ARM



1

x4



2

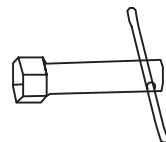
x4



3

x4

4



x1