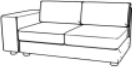
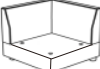

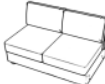
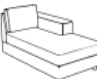
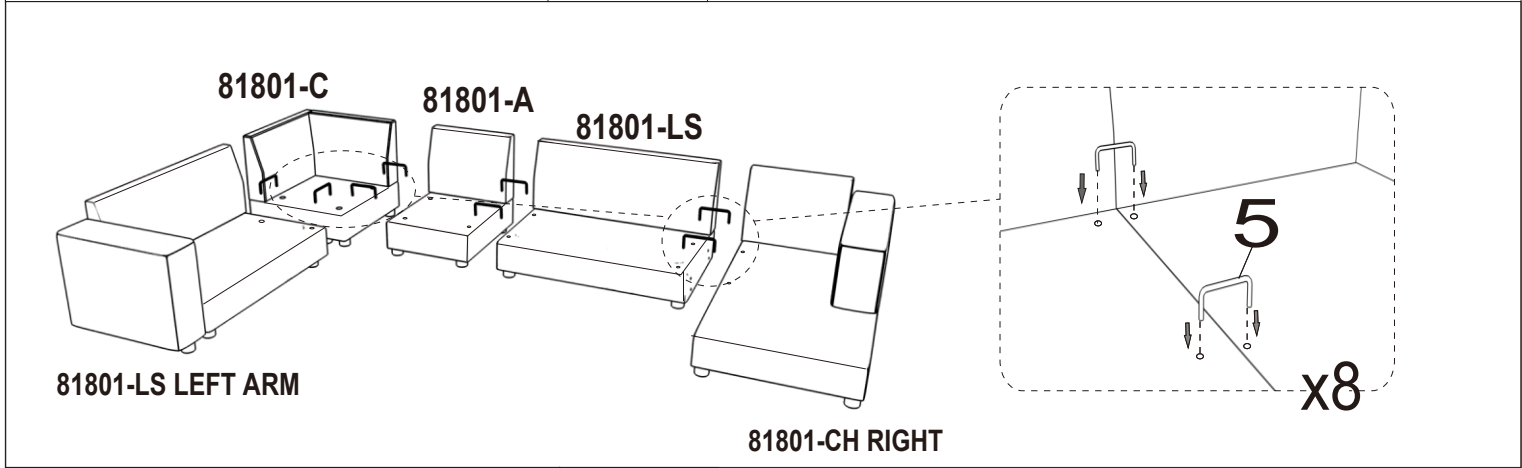
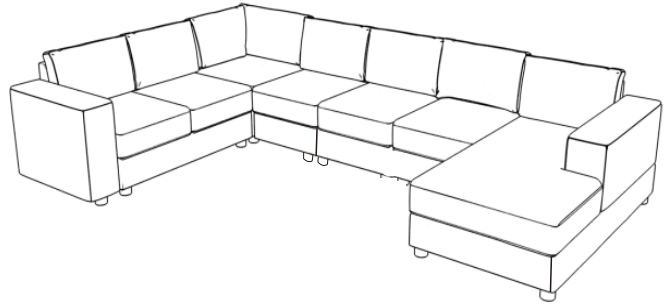

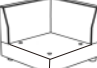
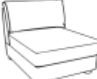
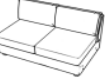



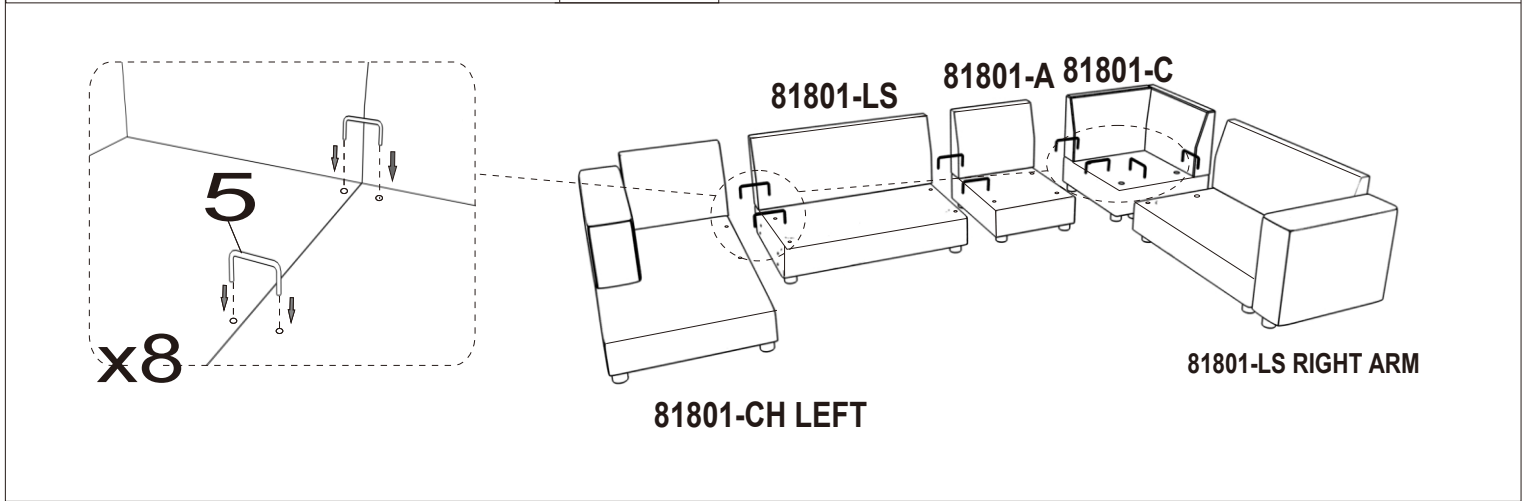
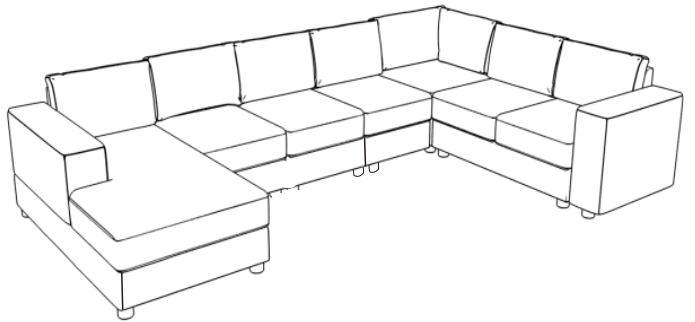
81801-5 PARTS	Quantity
 81801-LS LEFT ARM	×1
 81801-C	×1
 81801-A	×1
 81801-LS	×1
 81801-CH RIGHT	×1

81801-5 RIGHT-CHAISE SOFA



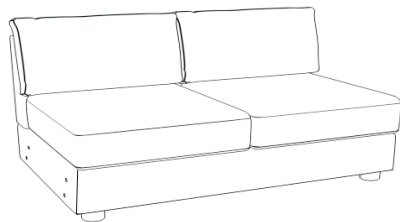
81801-5 PARTS	Quantity
 81801-LS RIGHT ARM	×1
 81801-C	×1
 81801-A	×1
 81801-LS	×1
 81801-CH LEFT	×1

81801-5 LEFT-CHAISE SOFA

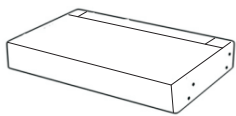


# ASSEMBLY INSTRUCTIONS

ITEM NO.: 81801-LS/81802-LS



## PARTS LIST



**A**

x1



**B**

x1



**D** Leg

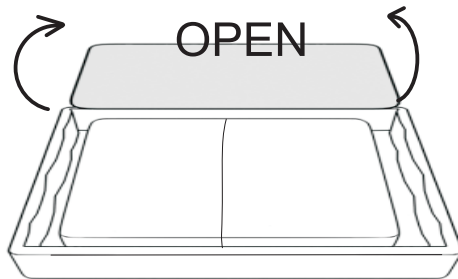
x4



**5**

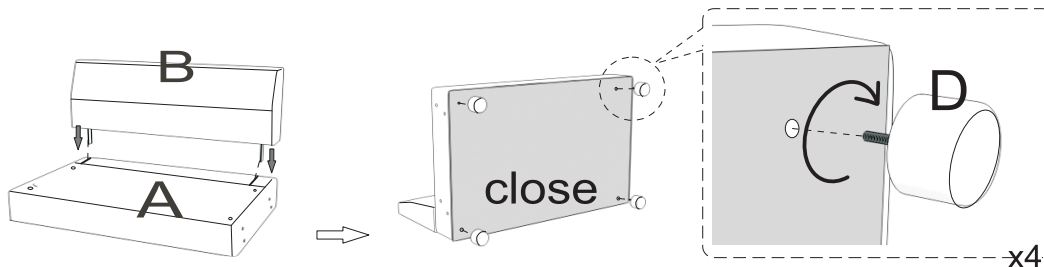
x2

Open up Velcro of Non-Woven Fabric cover on the bottom of the seat frame to remove **seat cushions, Back cushions and legs**

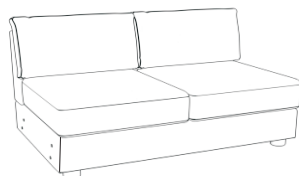


## 2-SEAT ASSEMBLY INSTRUCTION

Step1

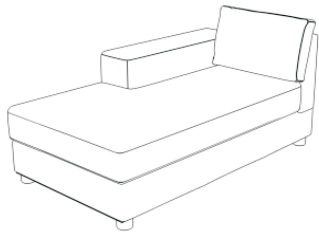


81801-LS/81802-LS

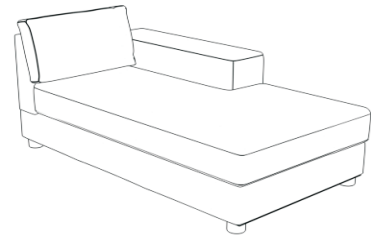


# ASSEMBLY INSTRUCTIONS

ITEM NO.: 81801-CH/81802-CH

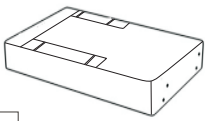


81801-CH/81802-CH LEFT



81801-CH/81802-CH RIGHT

## PARTS LIST



A x1



B x1



C x1



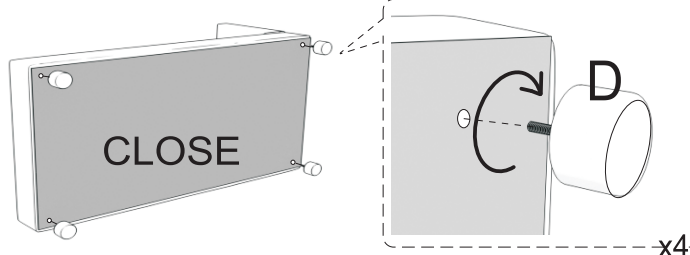
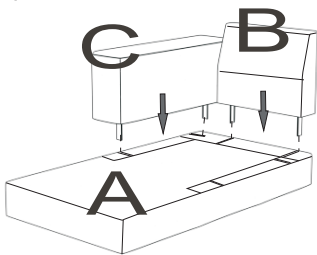
D Leg x4

Open up Velcro of Non-Woven Fabric cover on the bottom of the seat frame to remove **seat cushions, back cushions and legs**

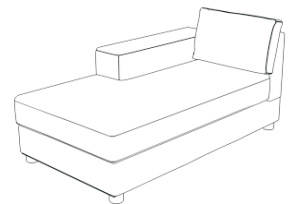


## LEFT CHAISE ASSEMBLY INSTRUCTION

Step1

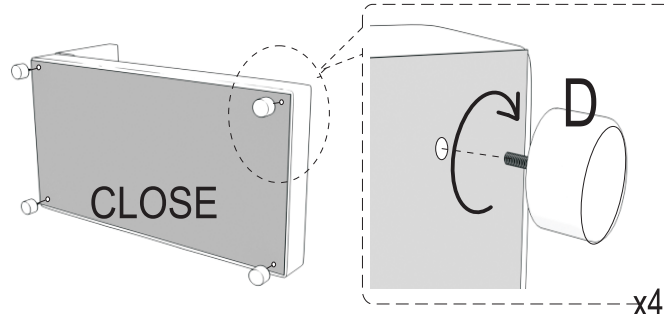
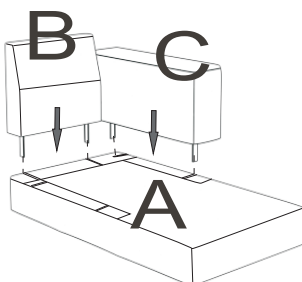


81801-CH/81802-CH LEFT

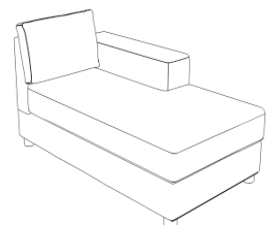


## RIGHT CHAISE ASSEMBLY INSTRUCTION

Step1



81801-CH/81802-CH RIGHT

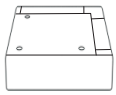


# ASSEMBLY INSTRUCTIONS

ITEM NO.: 81801-C/81802-C



## PARTS LIST



A

x1

B

x1

C

x1

D

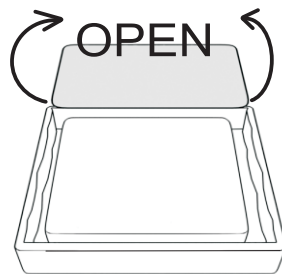
Leg

x4

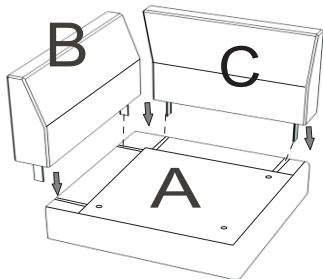
5

x2

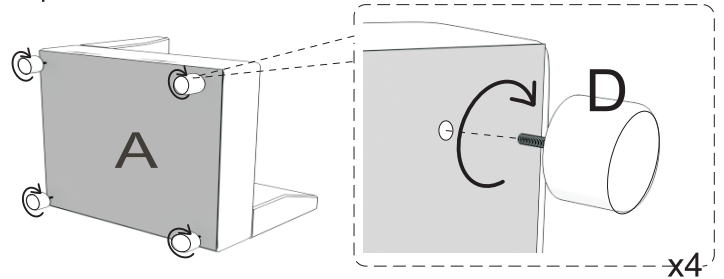
Open up Velcro of Non-Woven Fabric cover on the bottom of the seat frame to remove **seat cushions**, **Back cushions** and **legs**.



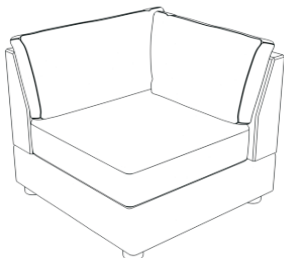
Step1



Step2

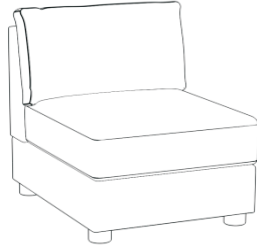


Step3

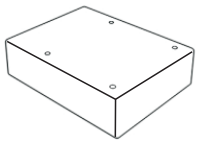


# ASSEMBLY INSTRUCTIONS

ITEM NO.: 81801-A/81802-A

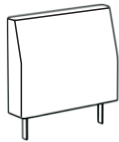


## PARTS LIST



**A**

x1



**B**

x1



**D**

Leg

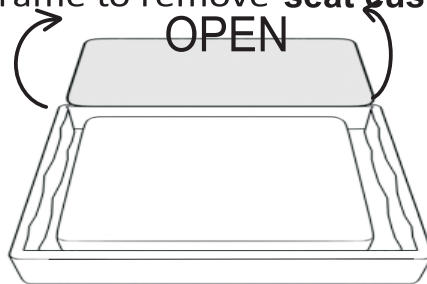
x4



**5**

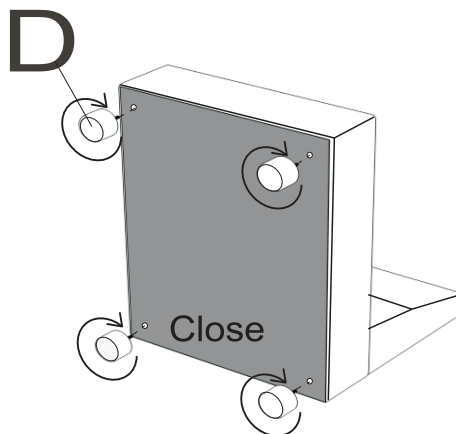
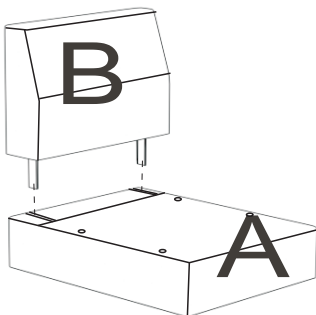
x2

Open up Velcro of Non-Woven Fabric cover on the bottom of the seat frame to remove **seat cushions, Back cushions and legs.**

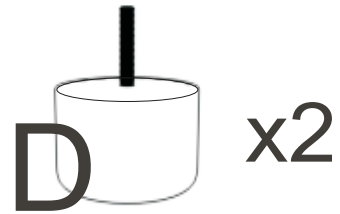
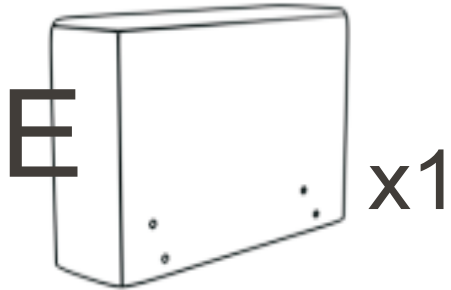


## ASSEMBLY INSTRUCTION

Step1



ITEM NO.: 81801-ARM/81802-ARM



## HARDWARE



**1**

x4



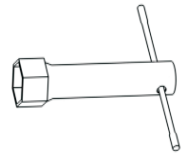
**2**

x4



**3**

x4



**4**

x1