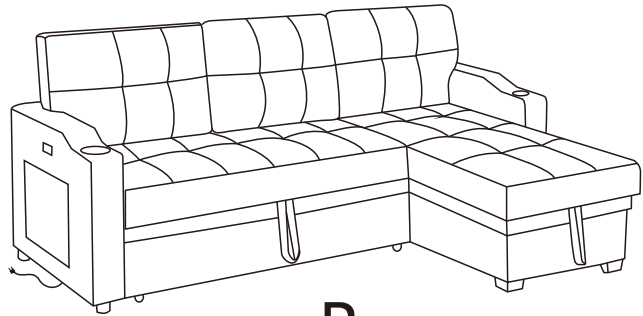
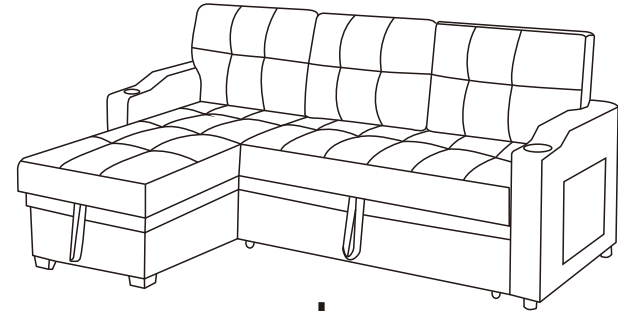


ASSEMBLY INSTRUCTIONS

ITEM NO.:81510/81512/81514

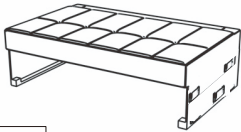
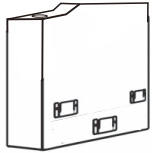
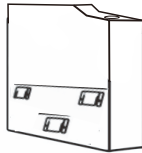

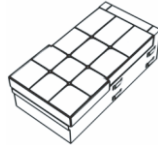


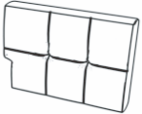
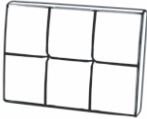
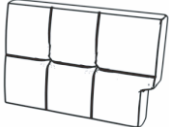

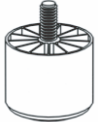


-R

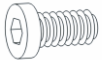





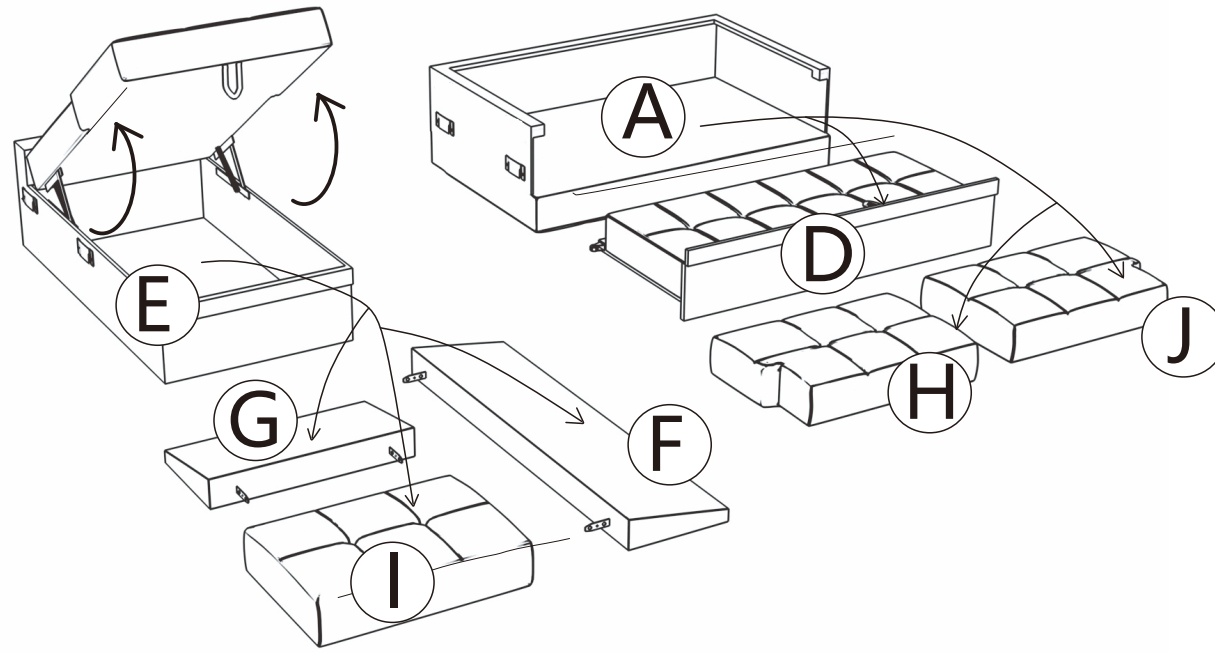
-L

PARTS LIST

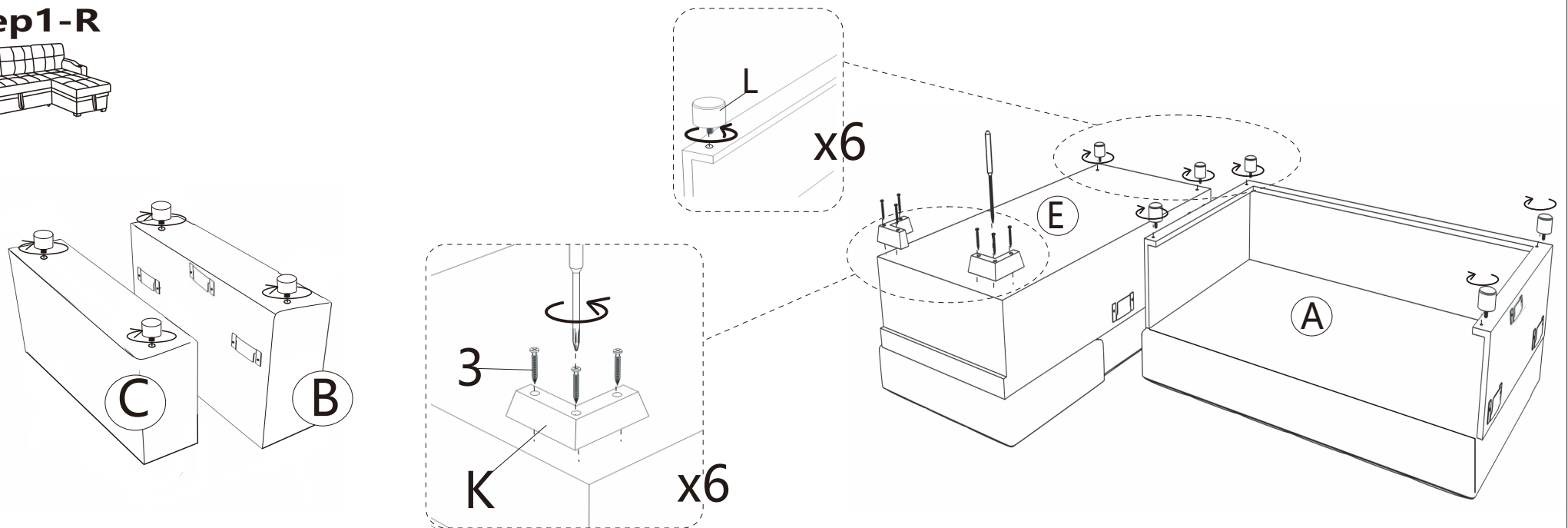
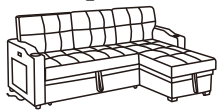
					
A x1	B x1	C x1	D x1	E x1	F x1
					
G x1	H x1	I x1	J x1	K x2	L x10

HARDWARE LIST

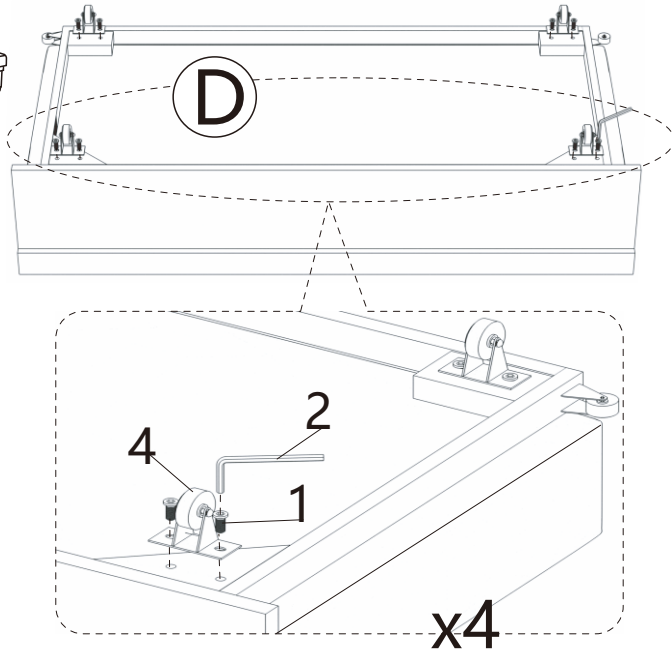
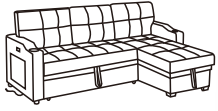
					
1 x8	2 x1	3 x6	4 x4		



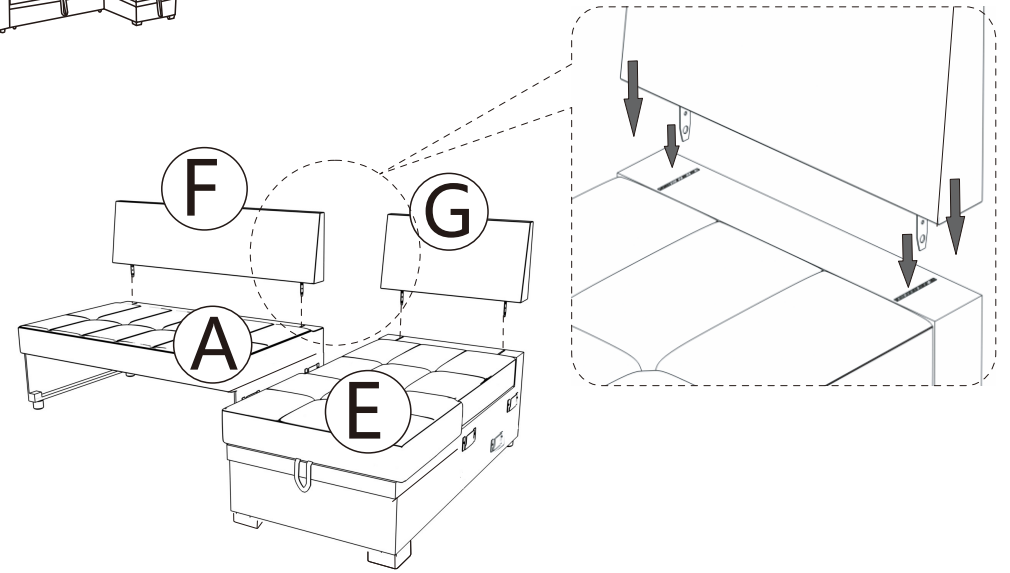
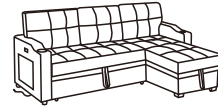
Step1-R



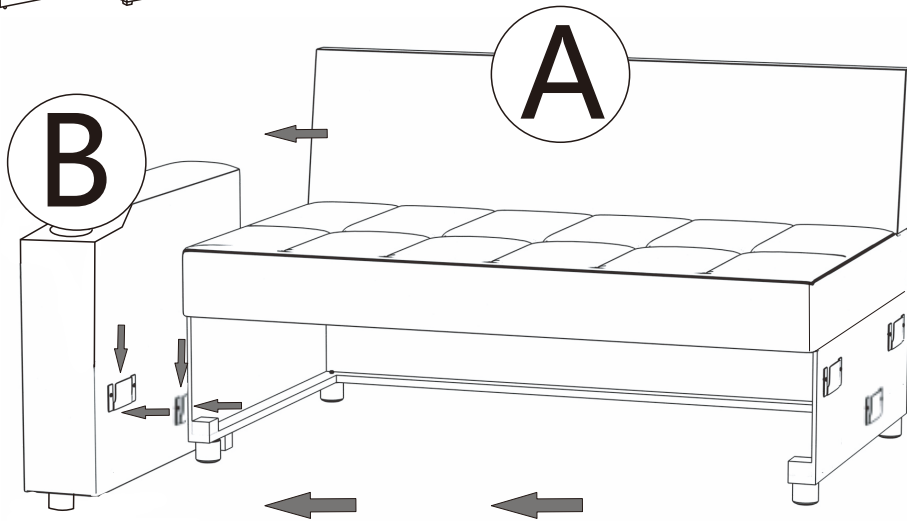
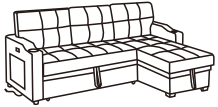
Step2-R



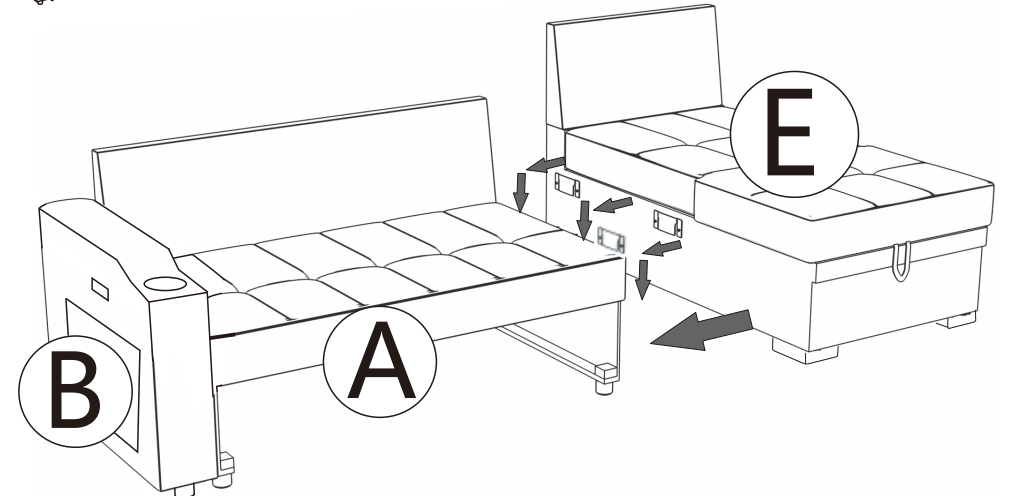
Step3-R



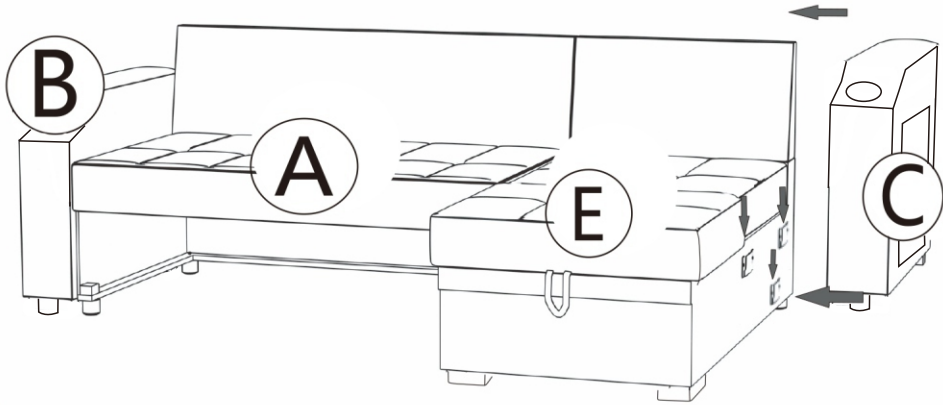
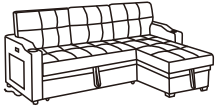
Step4-R



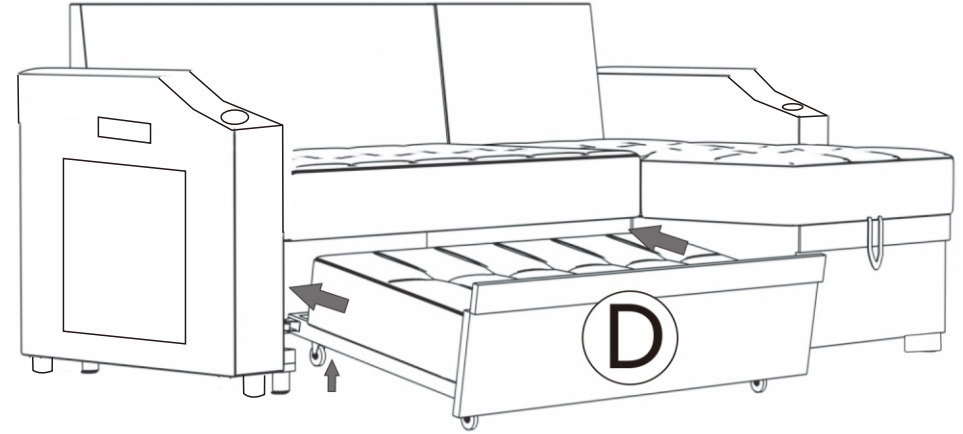
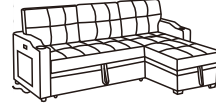
Step5-R



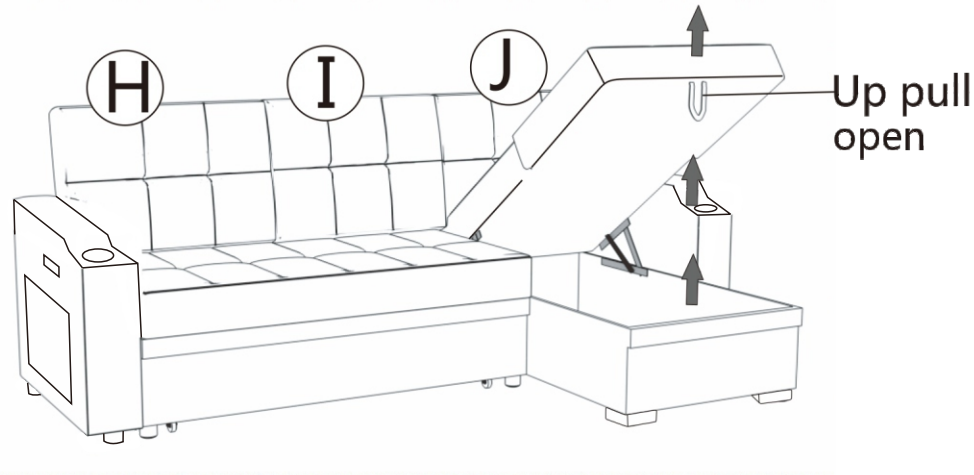
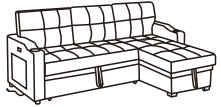
Step6-R



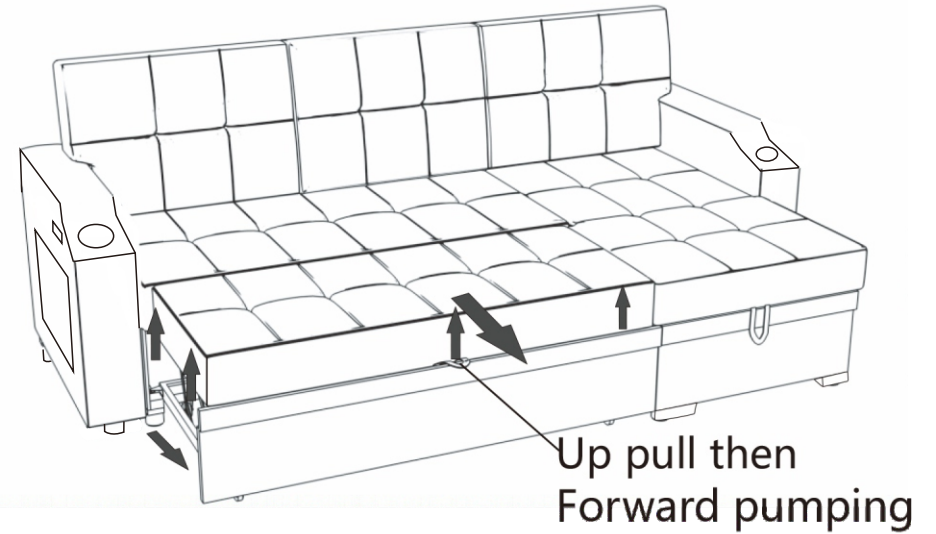
Step7-R



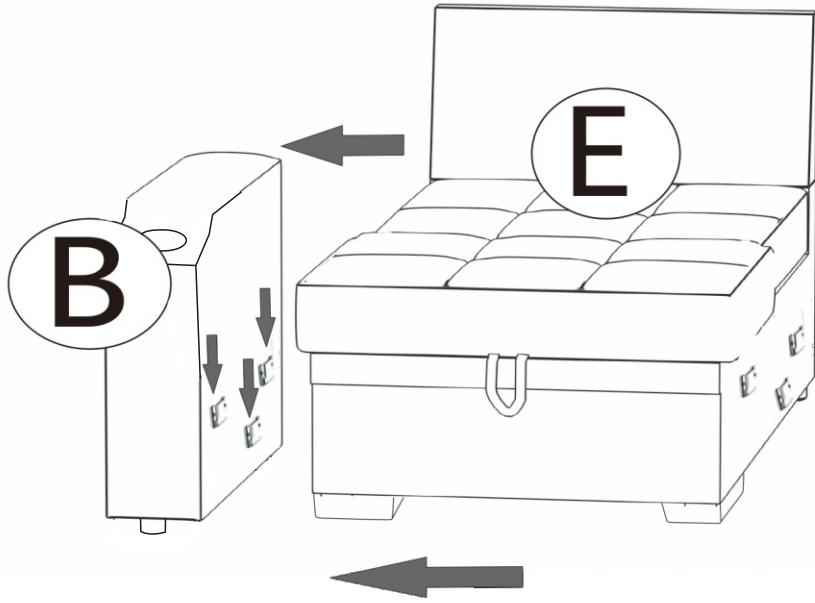
Step8-R



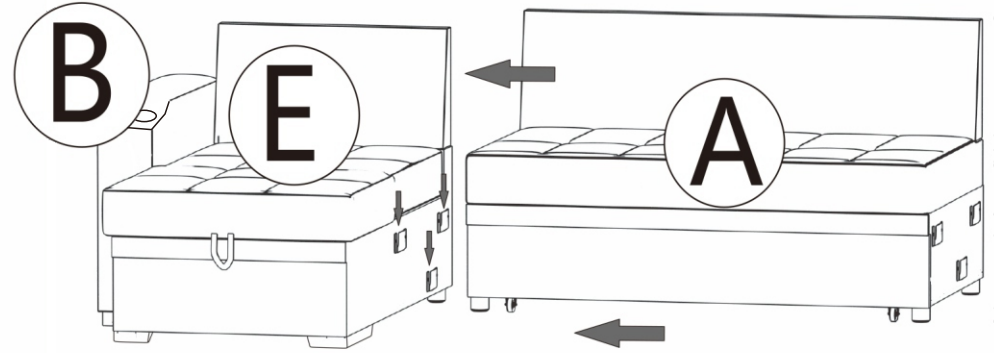
Step9-R



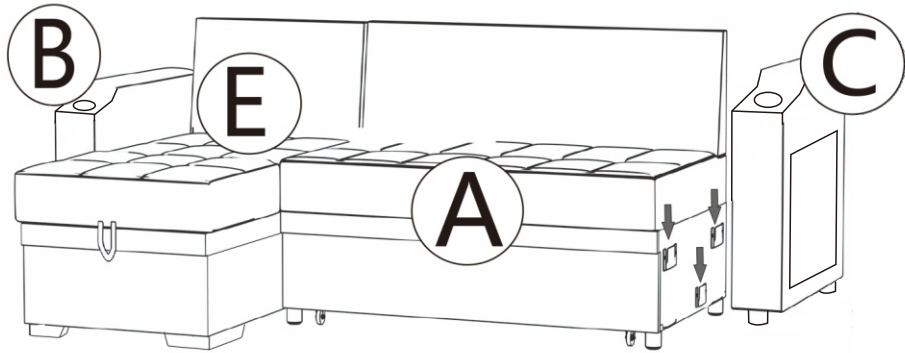
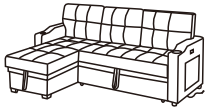
Step1-L



Step2-L



Step3-L



Step4-L

