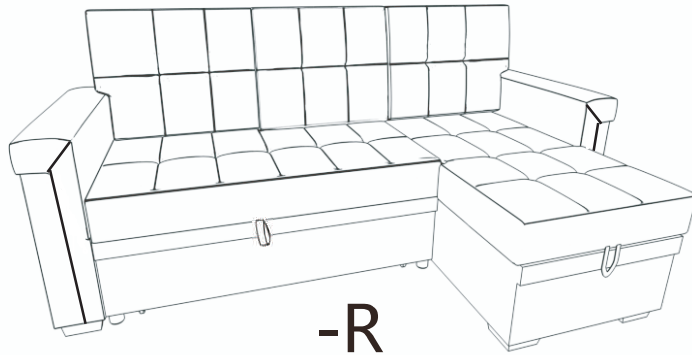
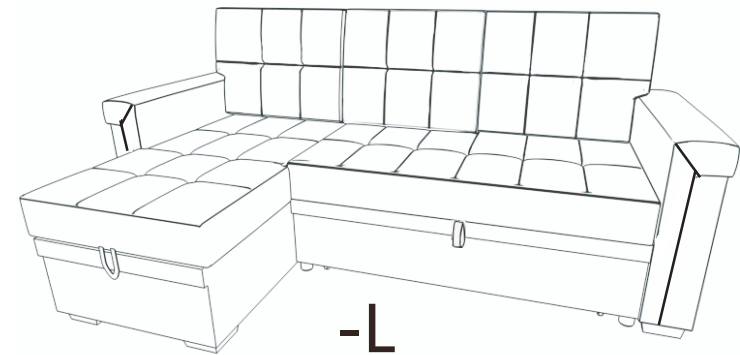


ASSEMBLY INSTRUCTIONS

ITEM NO: 81384/83188

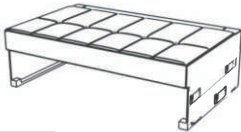
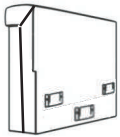
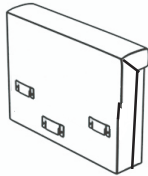
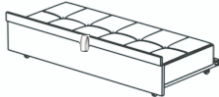
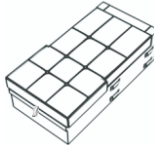


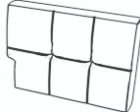

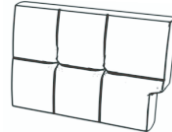




-R

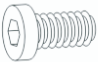





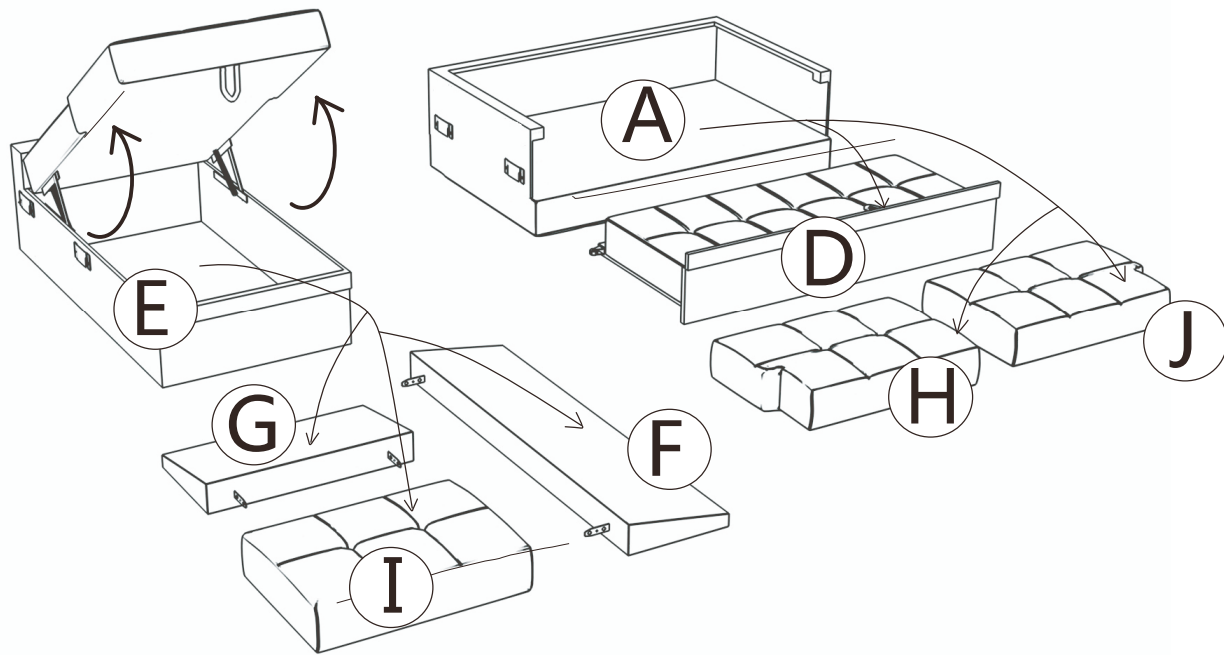
-L

PARTS LIST

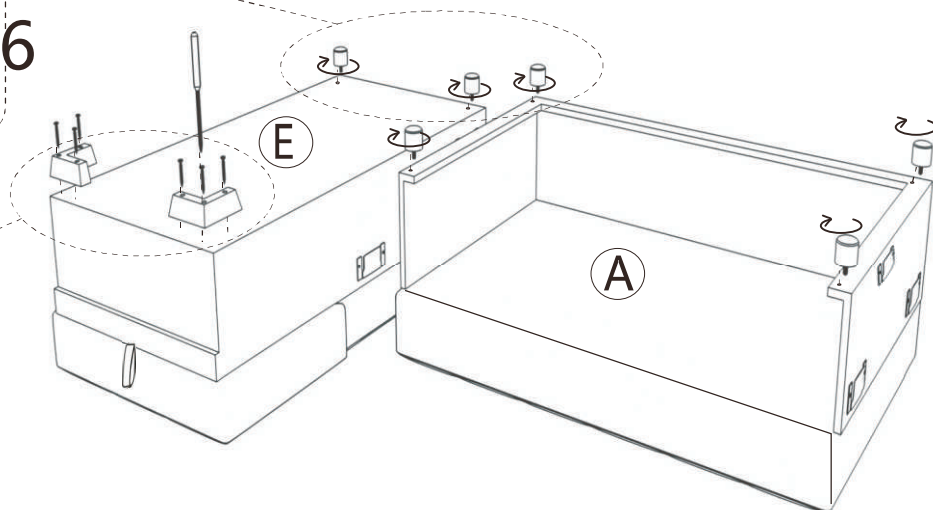
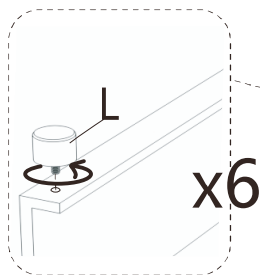
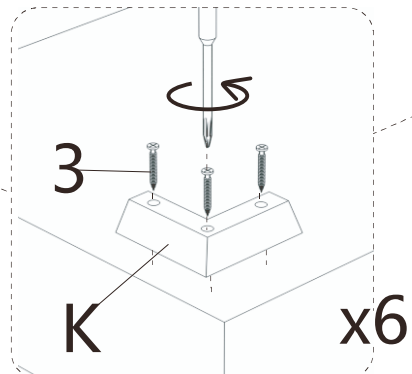
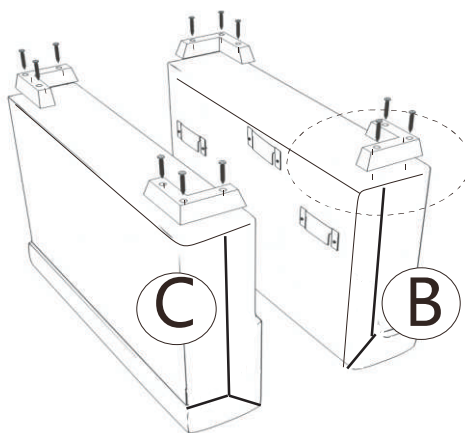
					
A x1	B x1	C x1	D x1	E x1	F x1
					
G x1	H x1	I x1	J x1	K x6	L x6

HARDWARE LIST

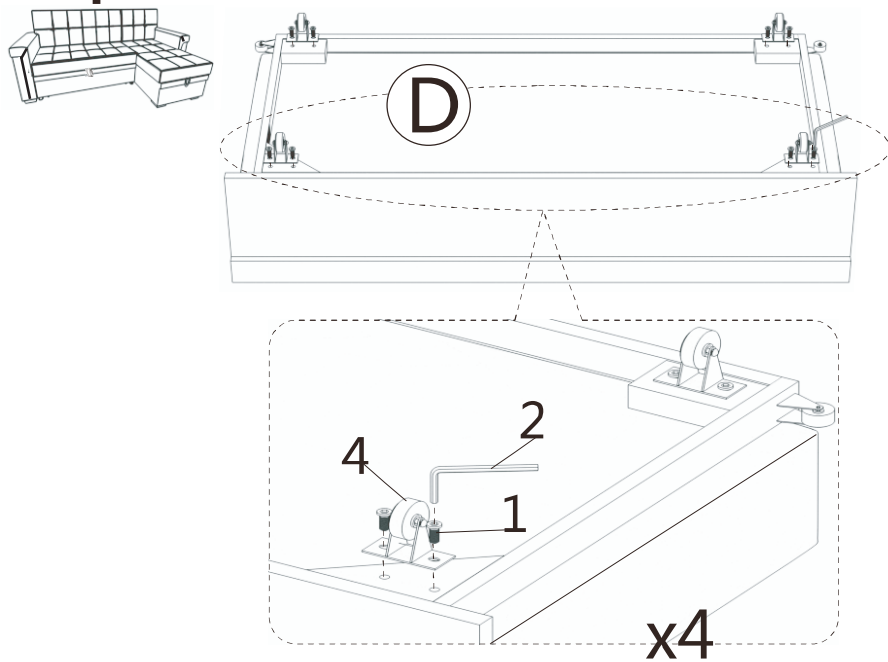
					
1 x8	2 x1	3 x18	4 x4		



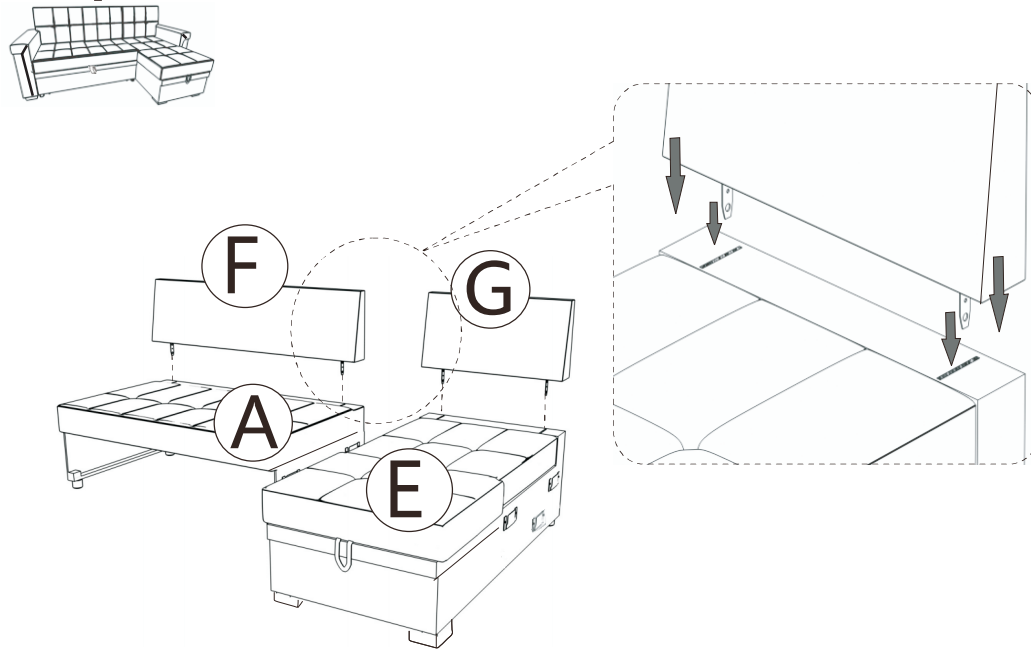
Step1-R



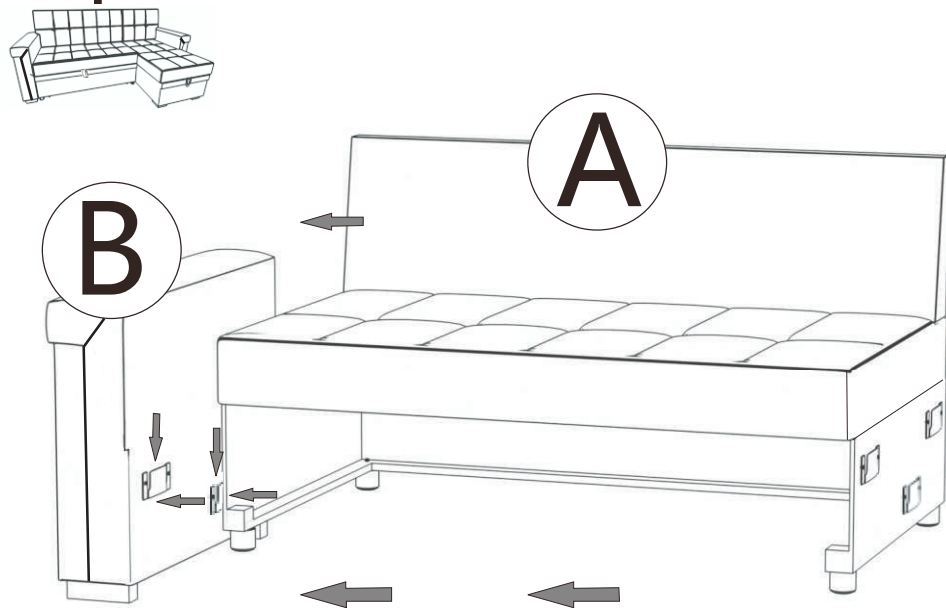
Step2-R



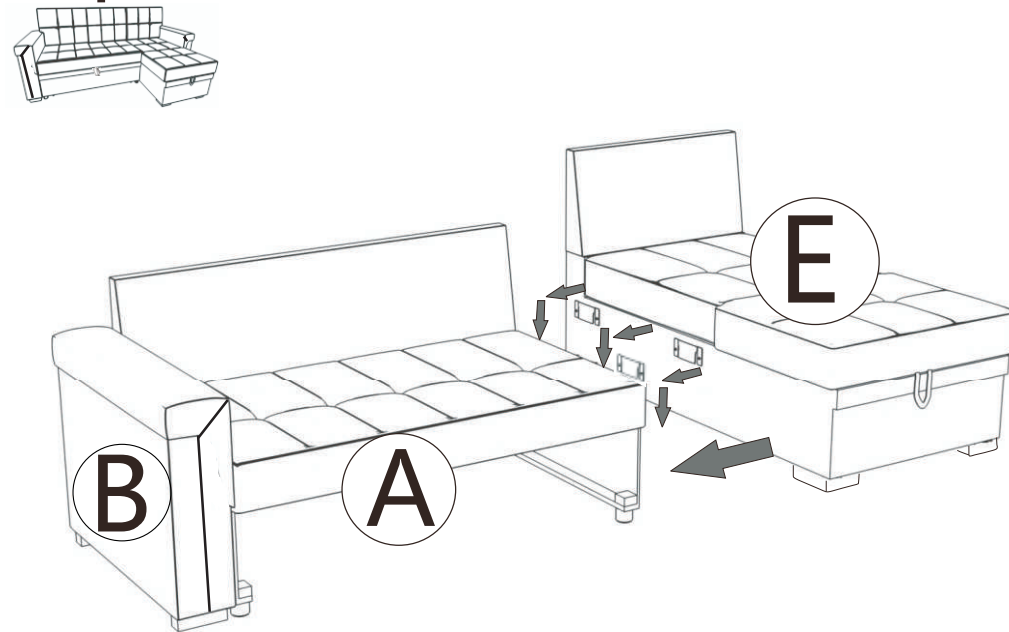
Step3-R



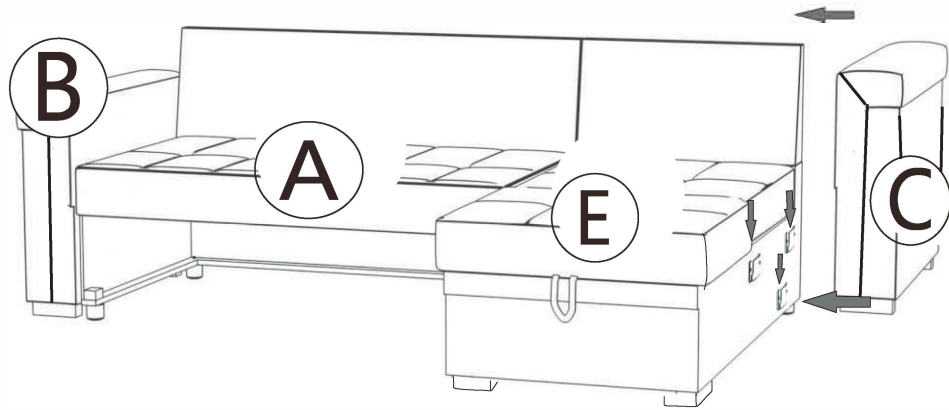
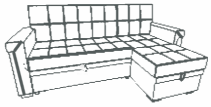
Step4-R



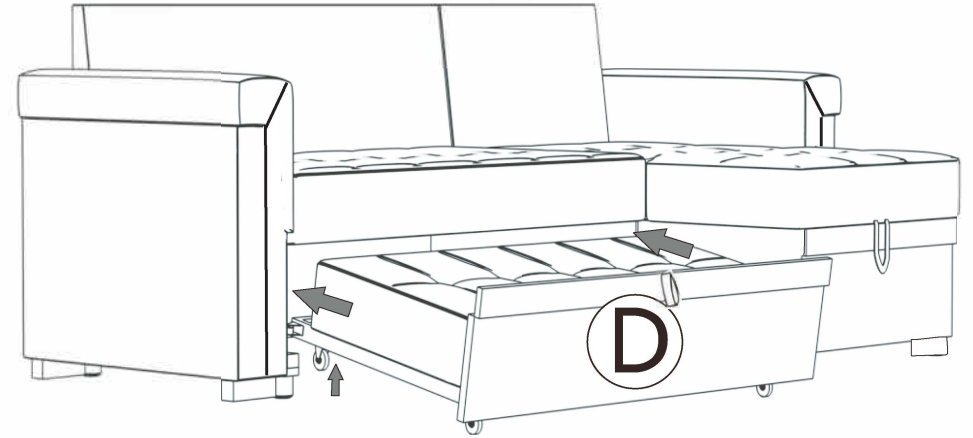
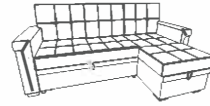
Step5-R



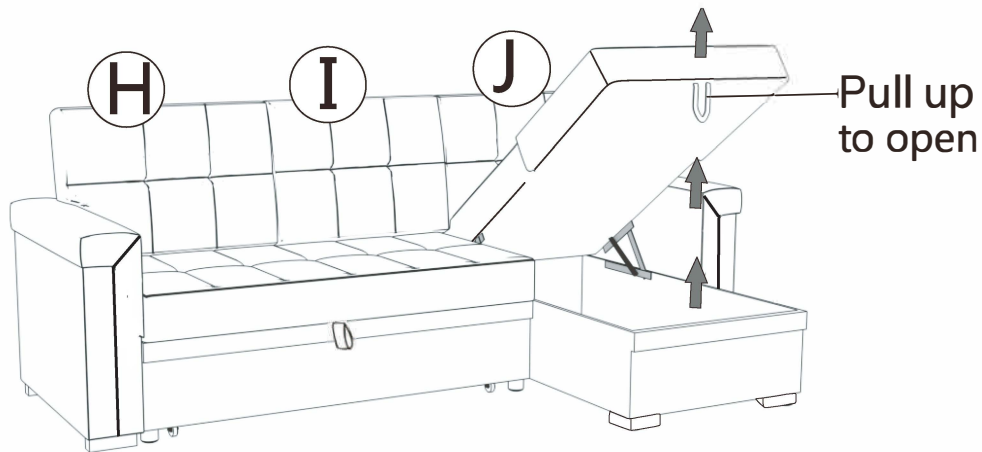
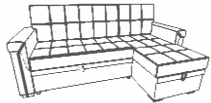
Step6-R



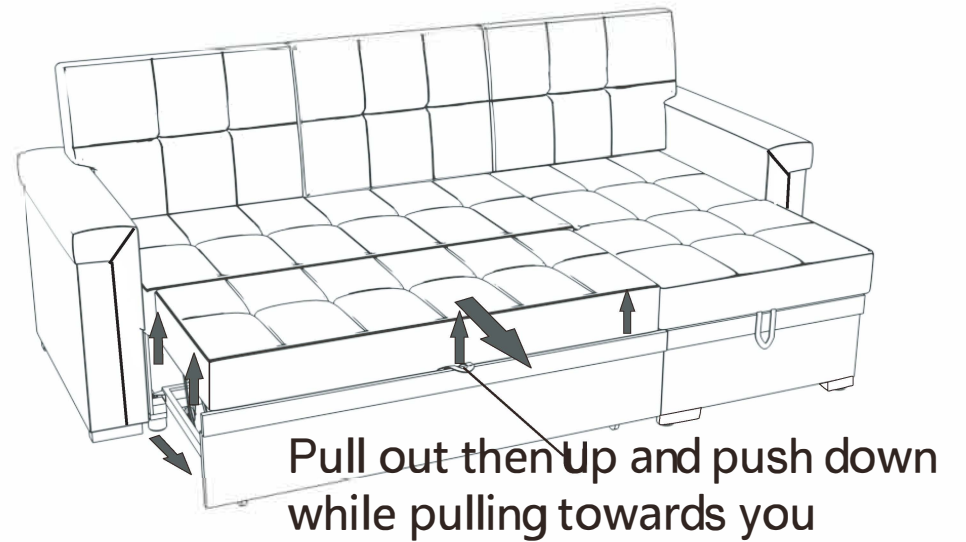
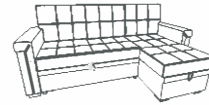
Step7-R



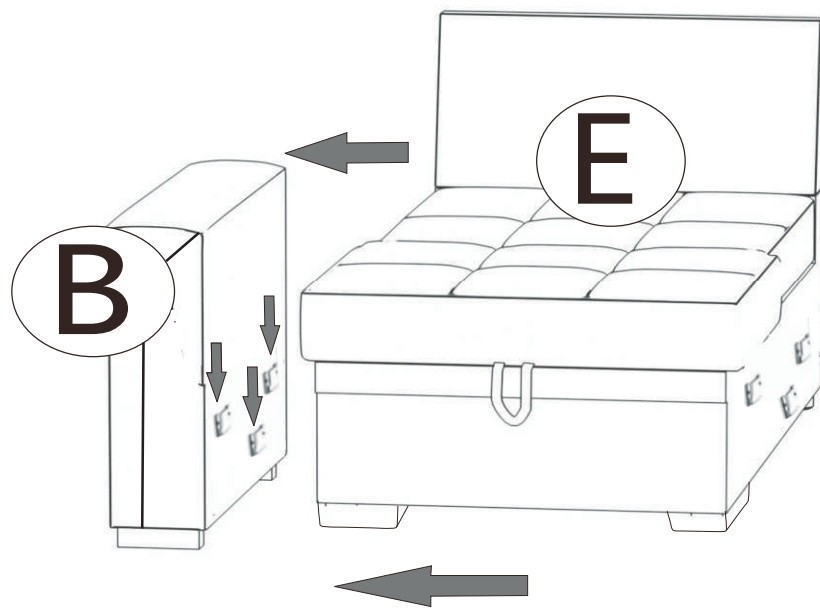
Step8-R



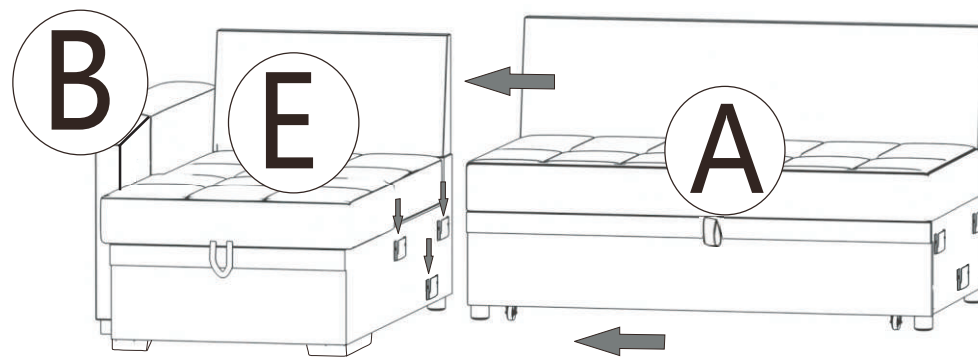
Step9-R



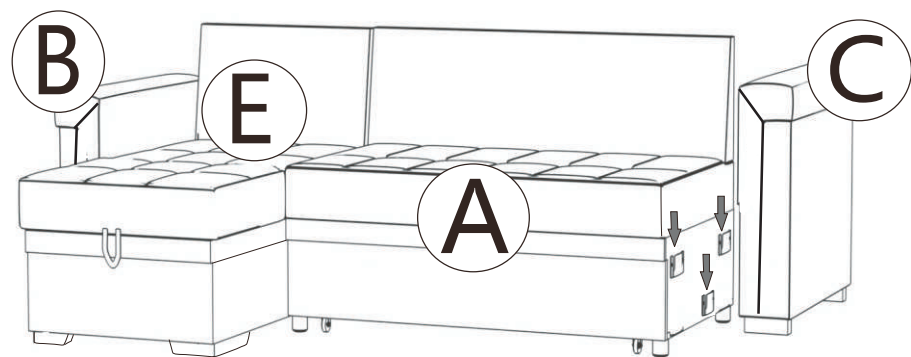
Step1-L



Step2-L



Step3-L



Step4-L

