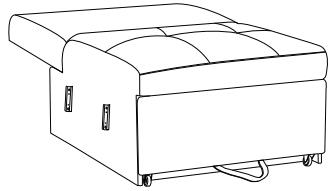
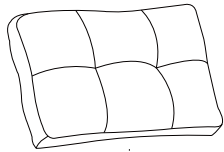


ASSEMBLY INSTRUCTION

Ax1



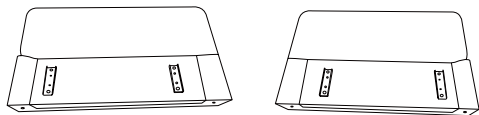
Bx1



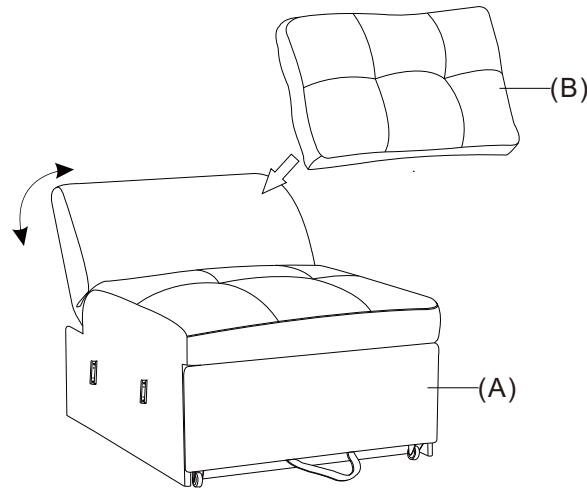
Cx4



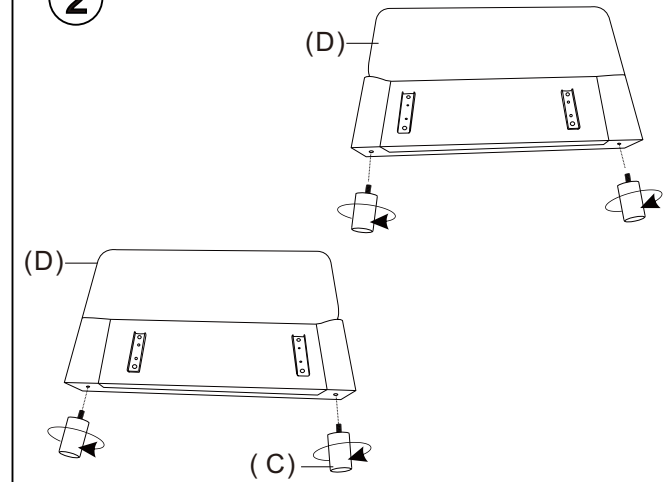
Dx2(Lx1 Rx1)



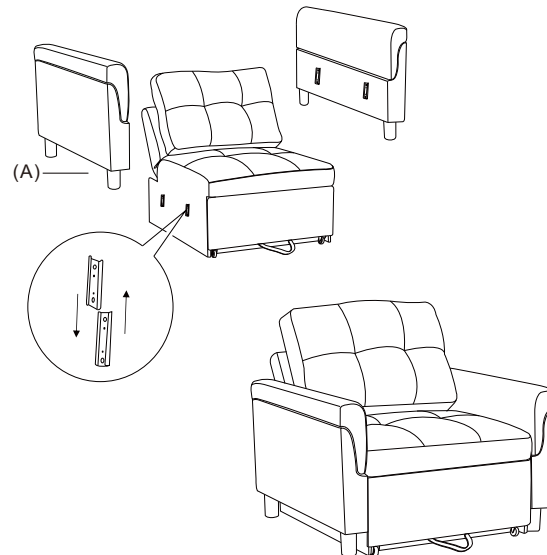
①



②



③



④

