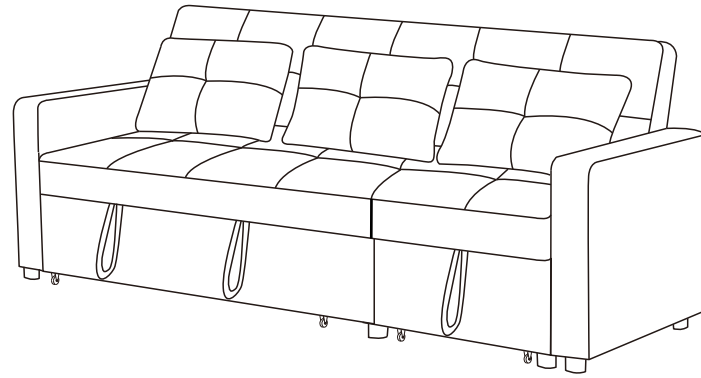
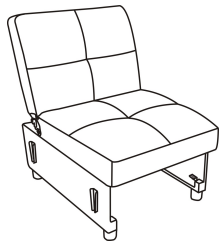


ASSEMBLY INSTRUCTION

ITEM NO.:81350

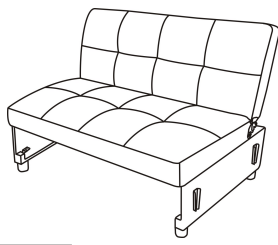


PARTS LIST



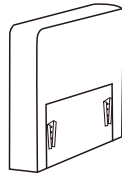
A

x1



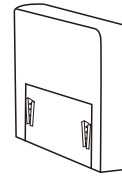
B

x1



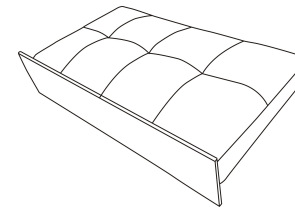
C

x1



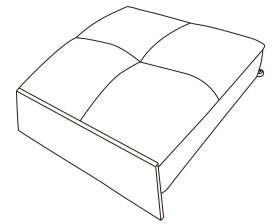
D

x1



E

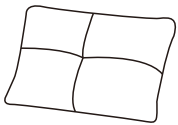
x1



F

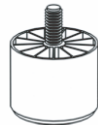
x1

HARDWARE LIST



G

x3



1

x12



2

x16



3

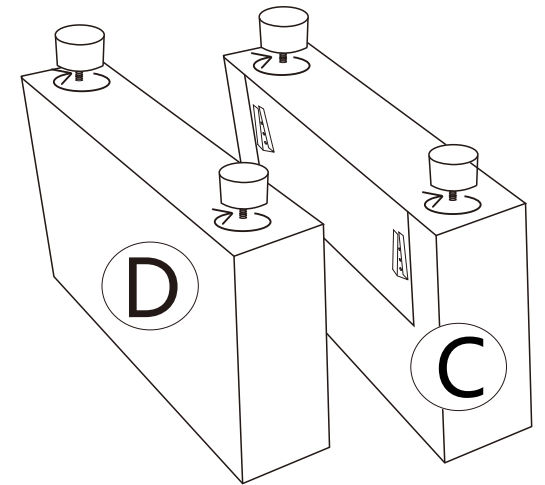
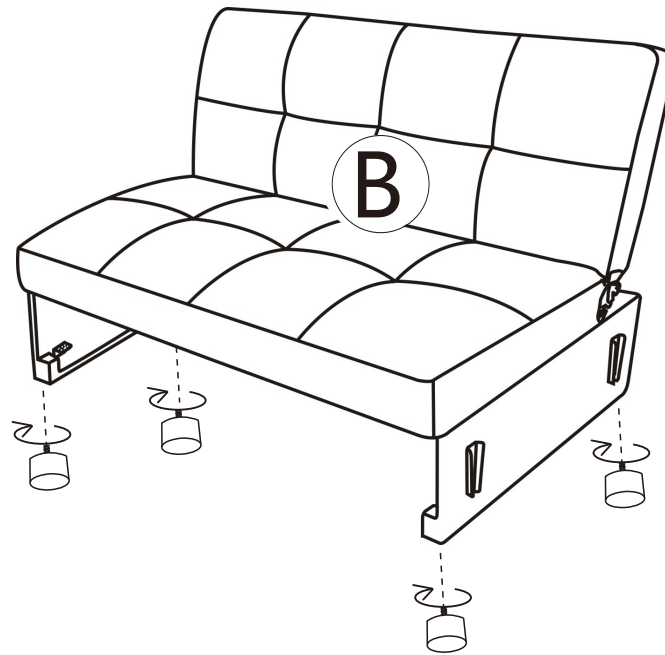
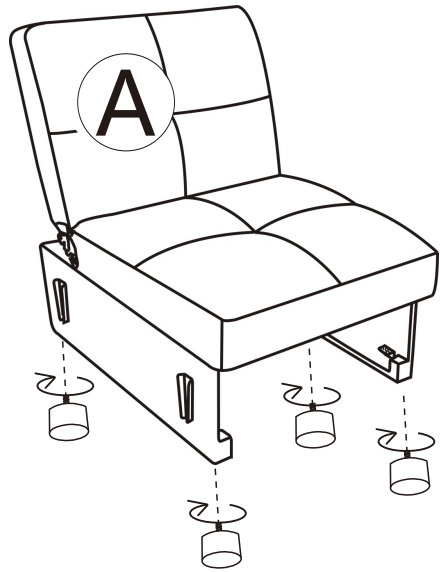
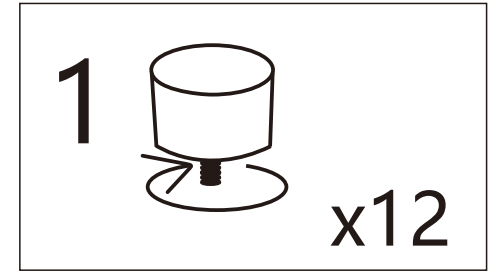
x8



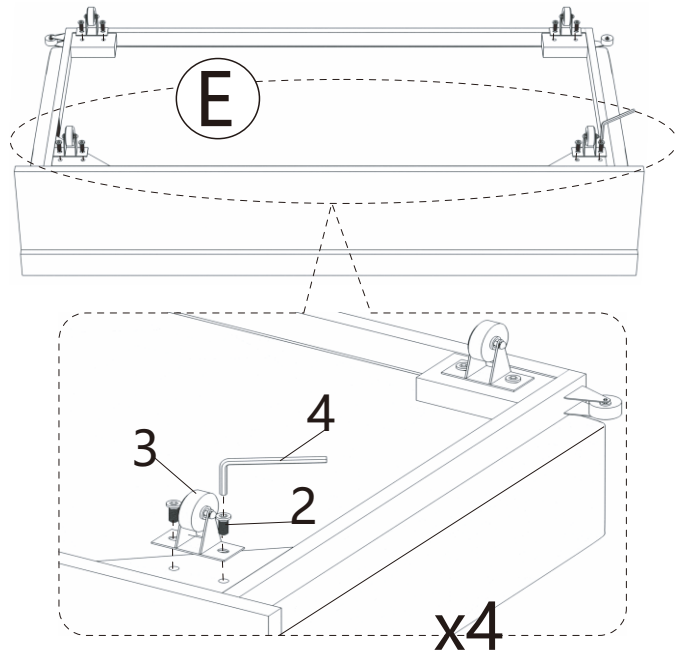
4

x1

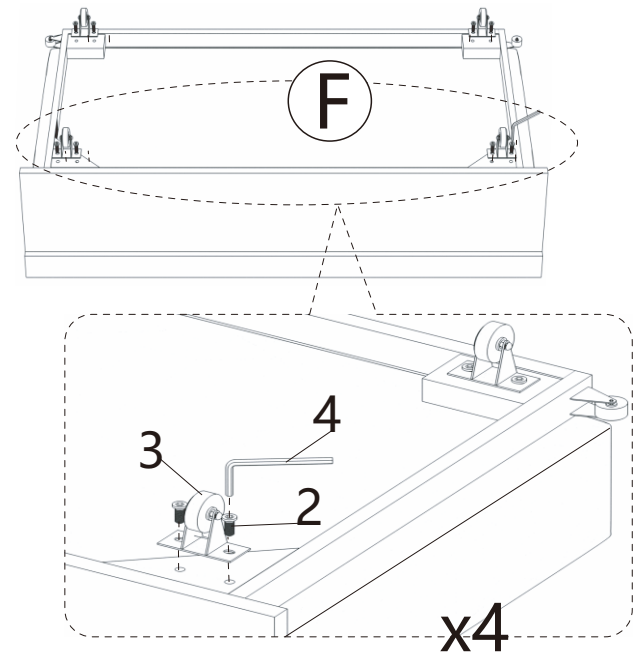
Step 1



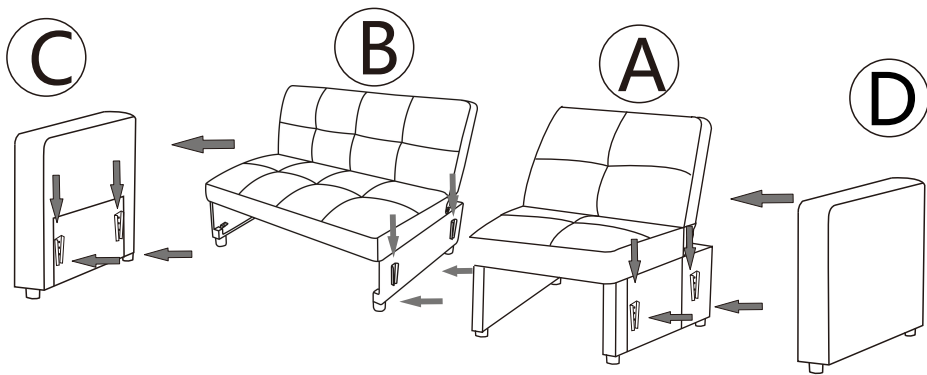
Step2



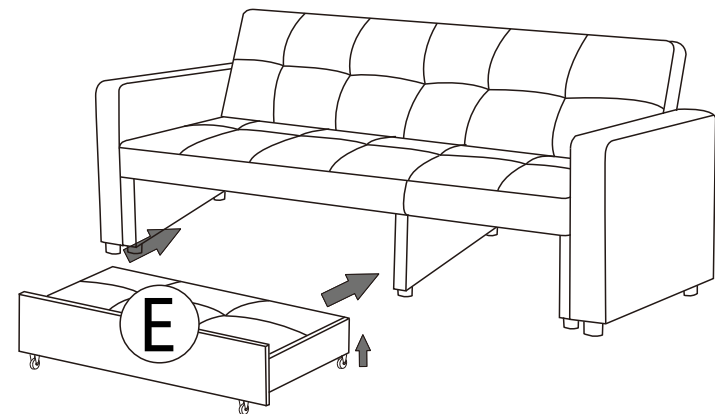
Step3



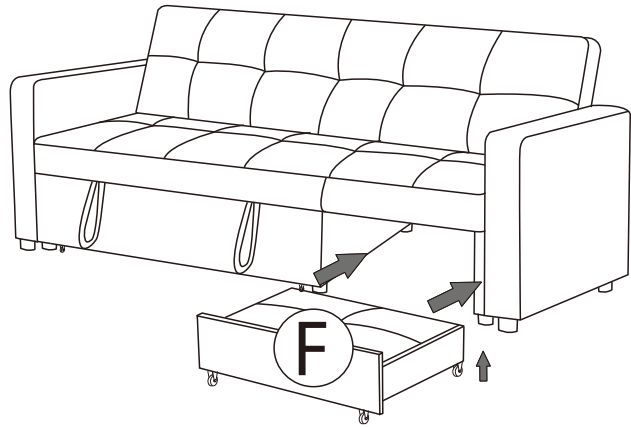
Step4



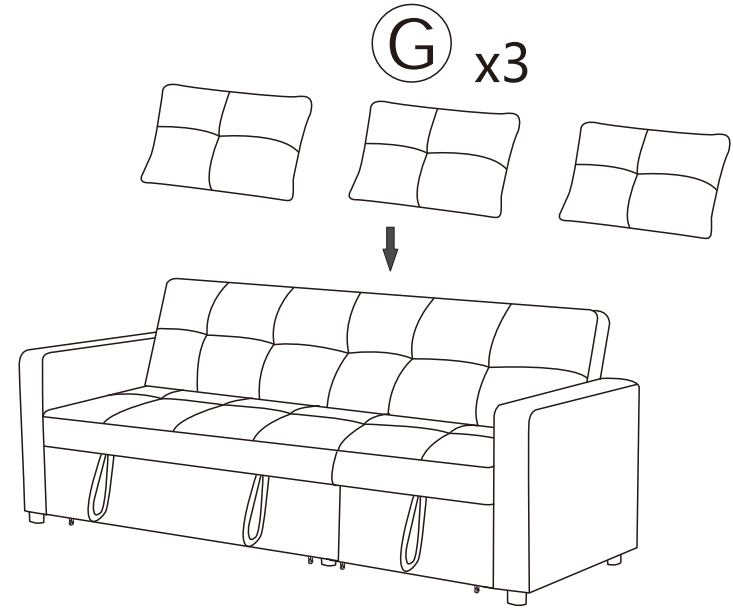
Step5



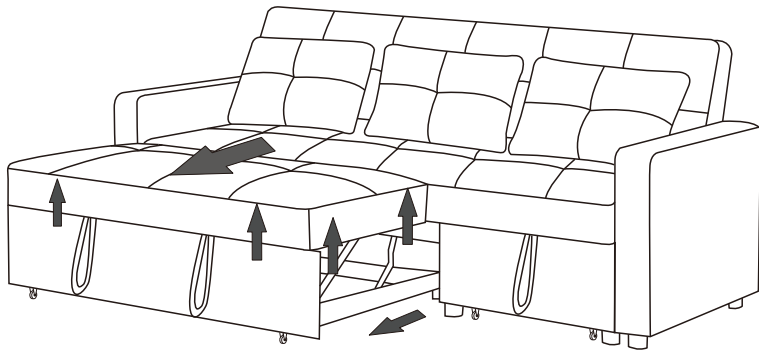
Step6



Step7

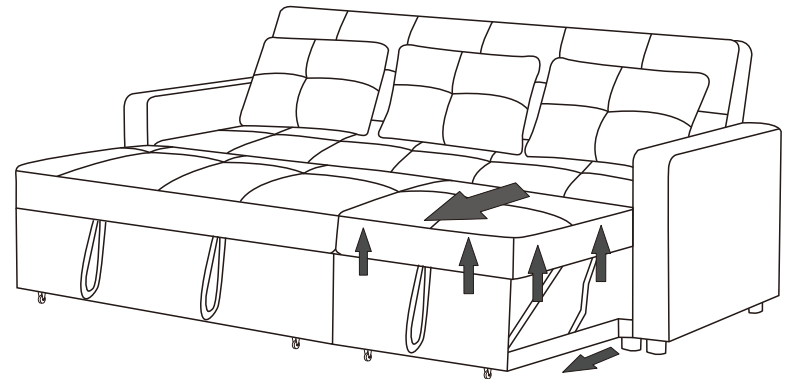


Step8



Pull out then up and push down
whiling pulling towards you

Step9



Pull out then up and push down
whiling pulling towards you

Step 10

