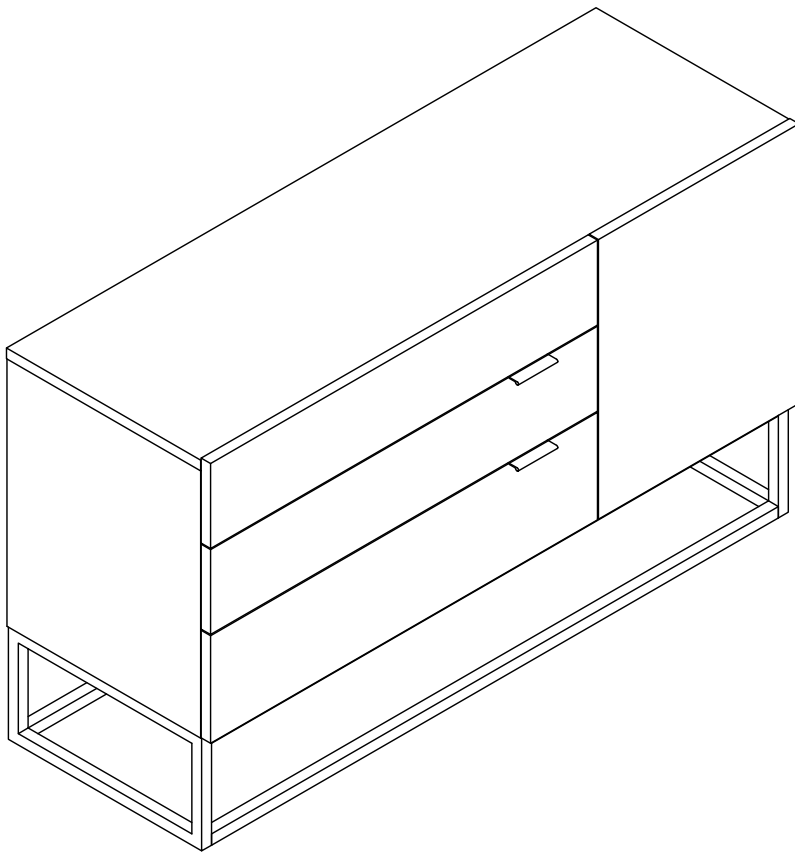
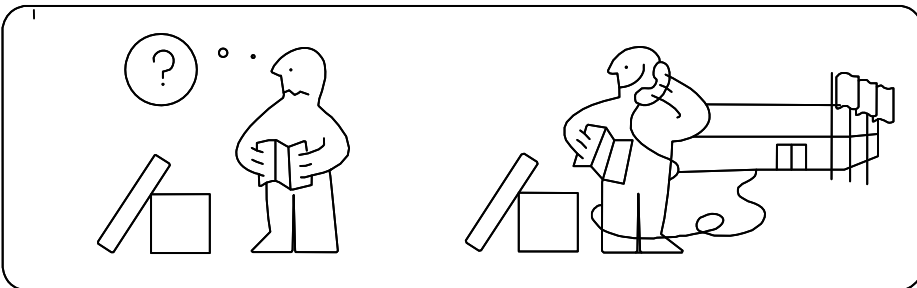
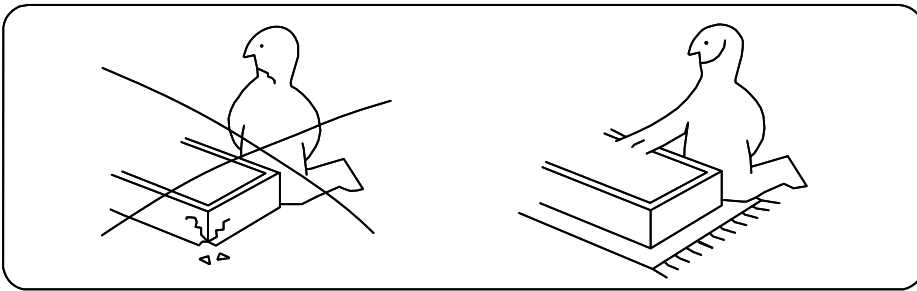
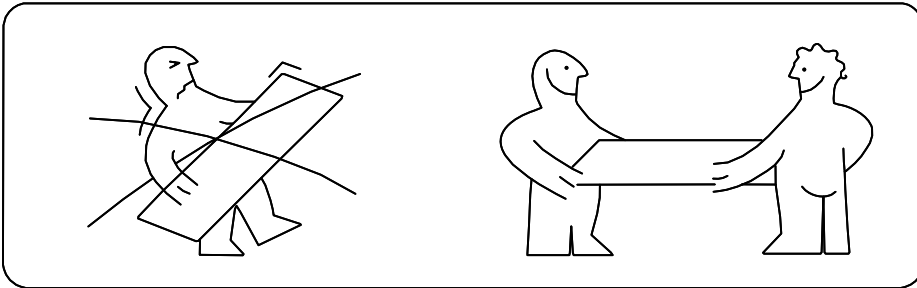
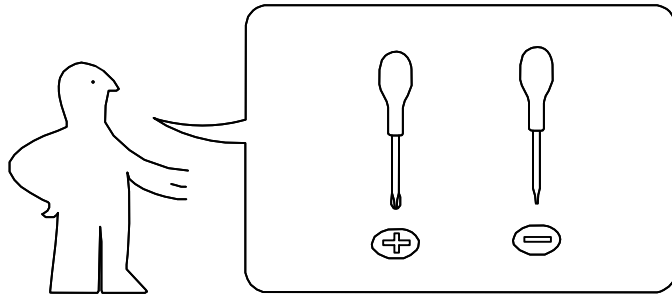


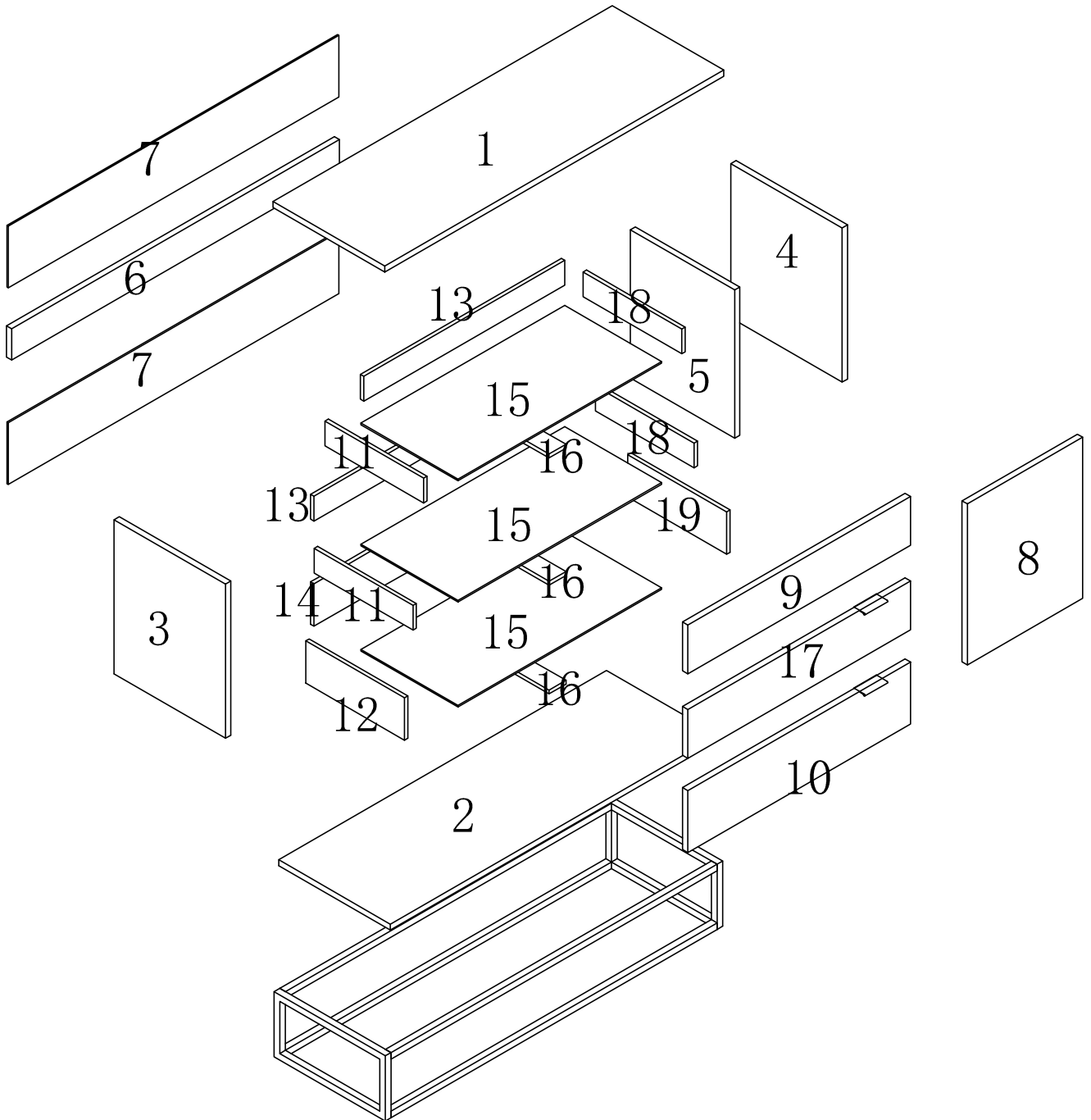
53000

SIDEBOARD





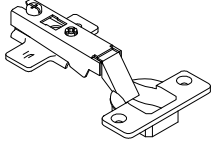
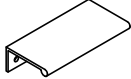
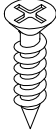




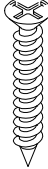
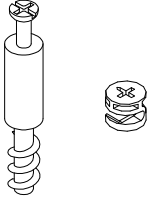
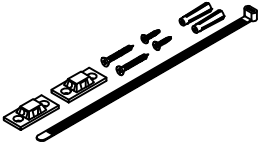
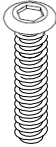
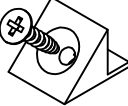
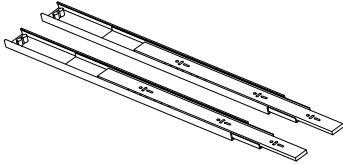
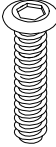
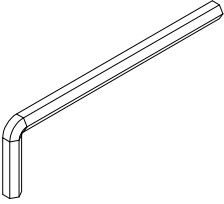
Explosive View



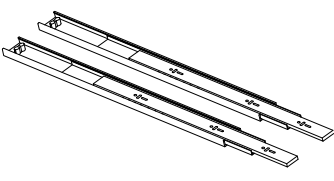
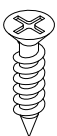
PART LIST

NO.	SIZE	QTY
1	1202*396* 16	1
2	1162*396* 16	1
3	473*396* 16	1
4	473*396* 16	1
5	455*370* 16	1
6	1162*96* 16	1
7	1172*189*5	2
8	494*409* 16	1
9	789*150* 16	1
10	789*190* 16	1
11/18	350*76*12	4
12/19	350*130*12	2
13	712*76*12	2
14	712*130*12	1
15	722*344*5	3
16	334*60*12	3
17	789*150* 16	1

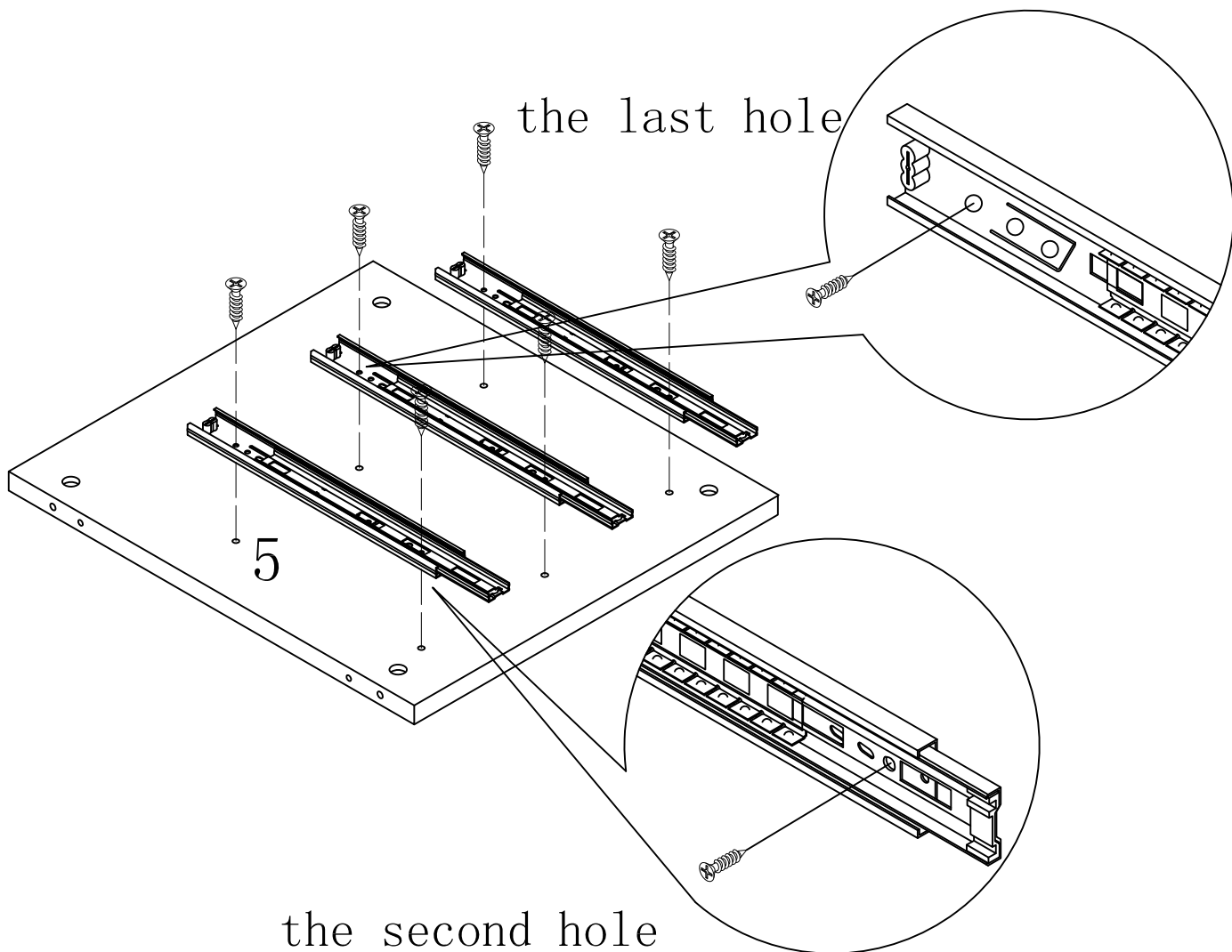
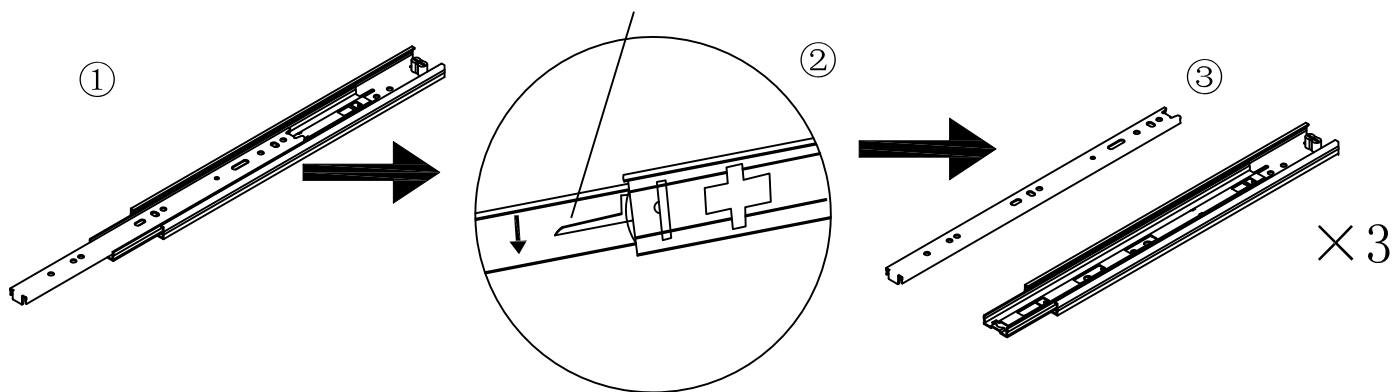
HARDWARE LIST

								
A	/	2pcs	B	80*H40	2PCS	C	M4*16	4PCS
								
D	L=42mm	16pcs	E	∅15*13.5	16pcs	F	∅8*30	12pcs
								
G	M3*12	24PCS	H	M4*30	18PCS	I	L=20mm	15sets
								
J	/	1set	K	M6*14	6PCS	L	/	8sets
								
M	12'	3sets	N	inner hexagonal screw	8pcs	O	/	1pcs




Step1:

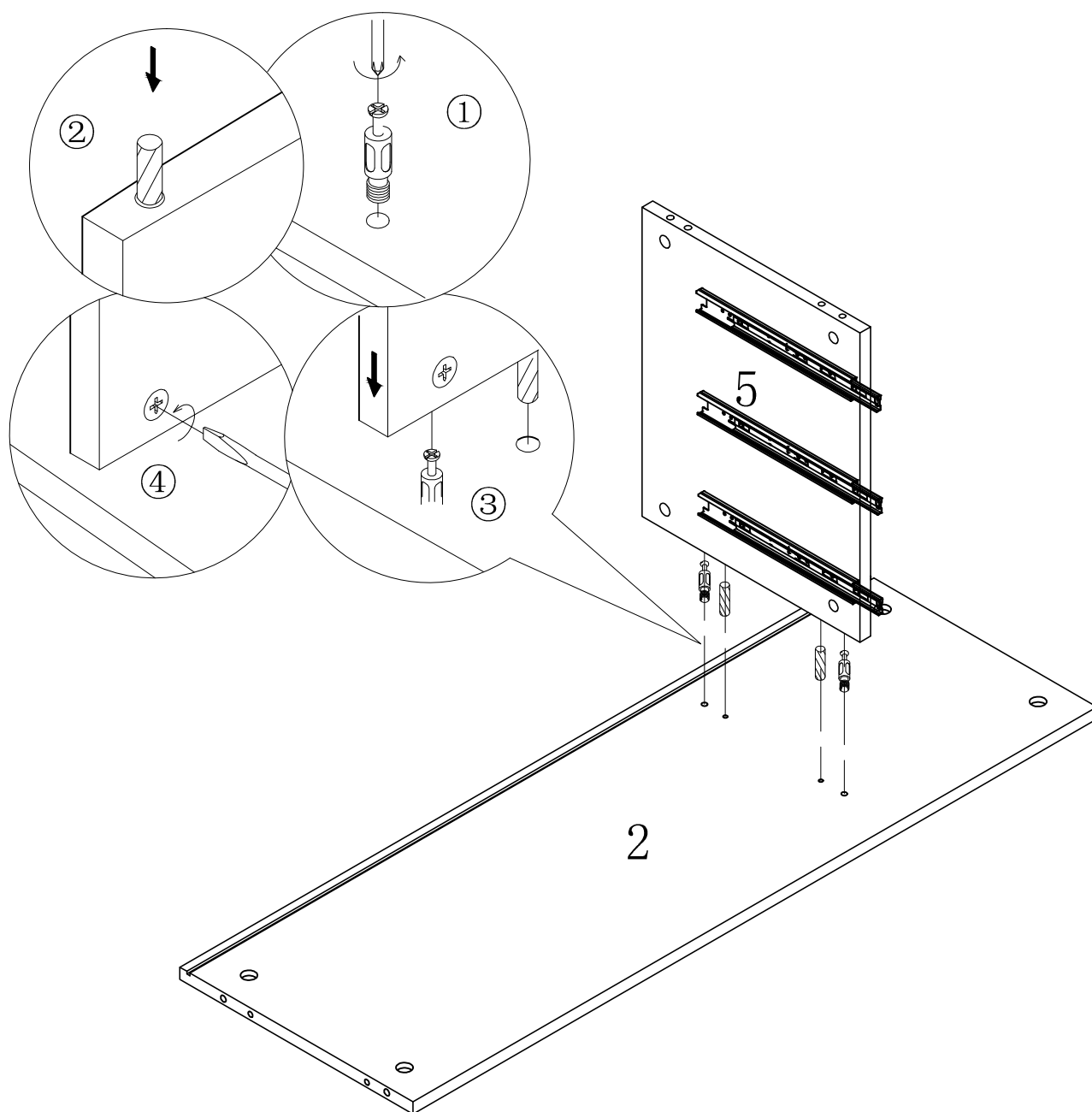
					
M	12'	3pcs	G	M3*12	6pcs

PUSH DOWN LEVER
& PULL APART






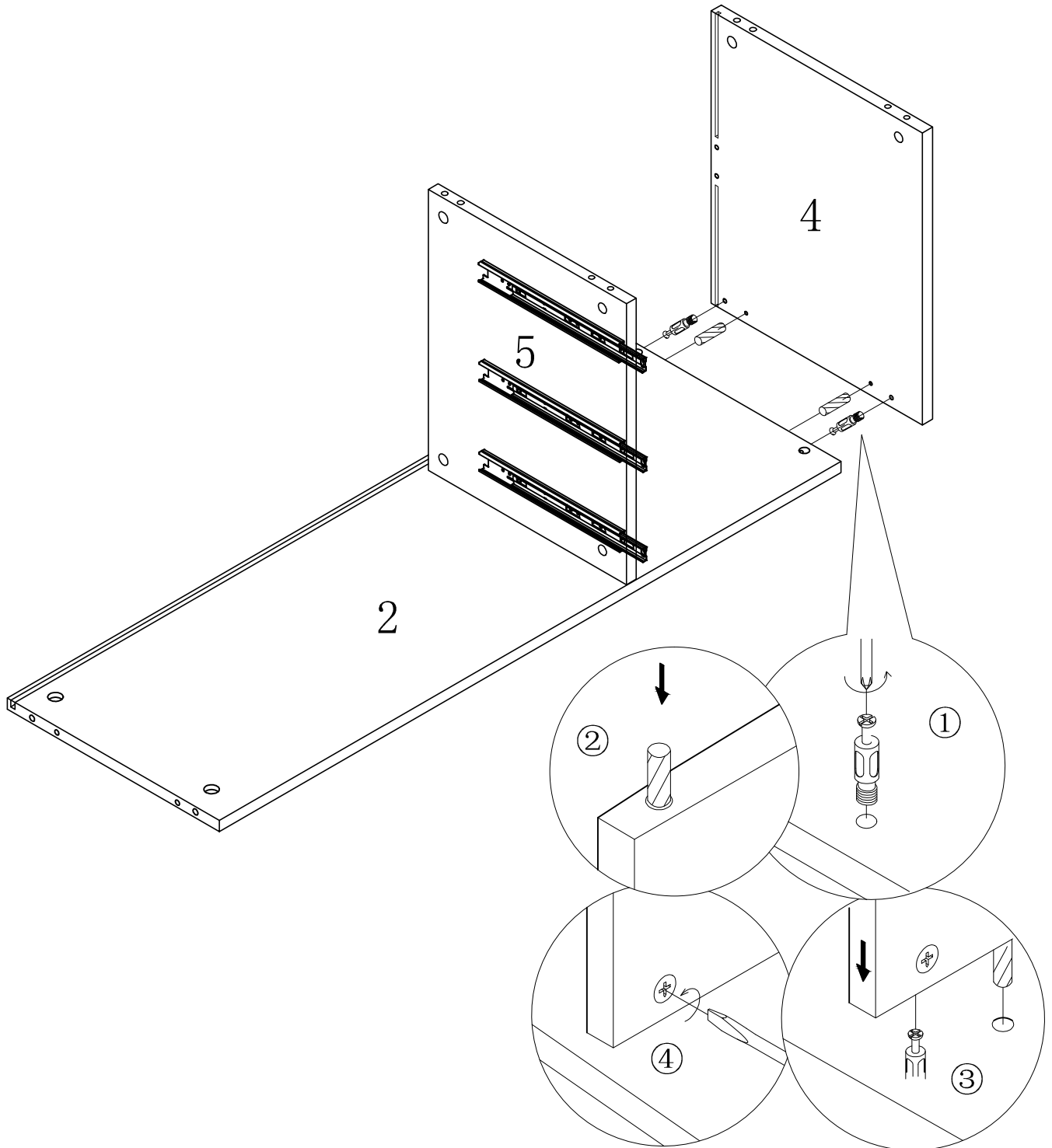
Step2:

								
D	L=42mm	2pcs	F	ø8*30	2pcs	E	ø15*13.5	2pcs

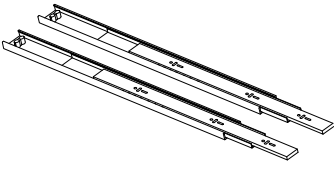
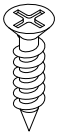


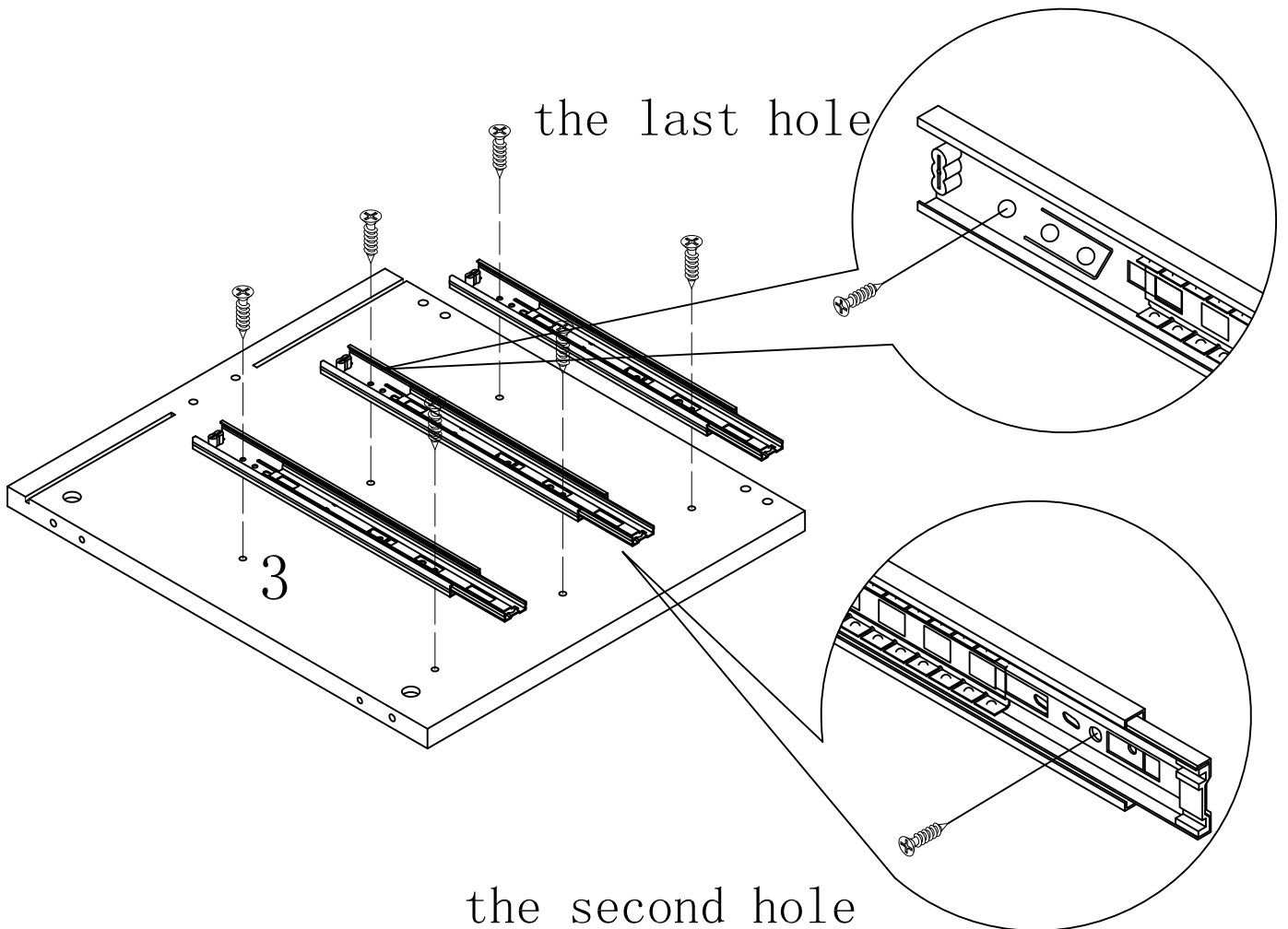
Step3:

								
D	L=42mm	2pcs	F	$\phi 8*30$	2pcs	E	$\phi 15*13.5$	2pcs





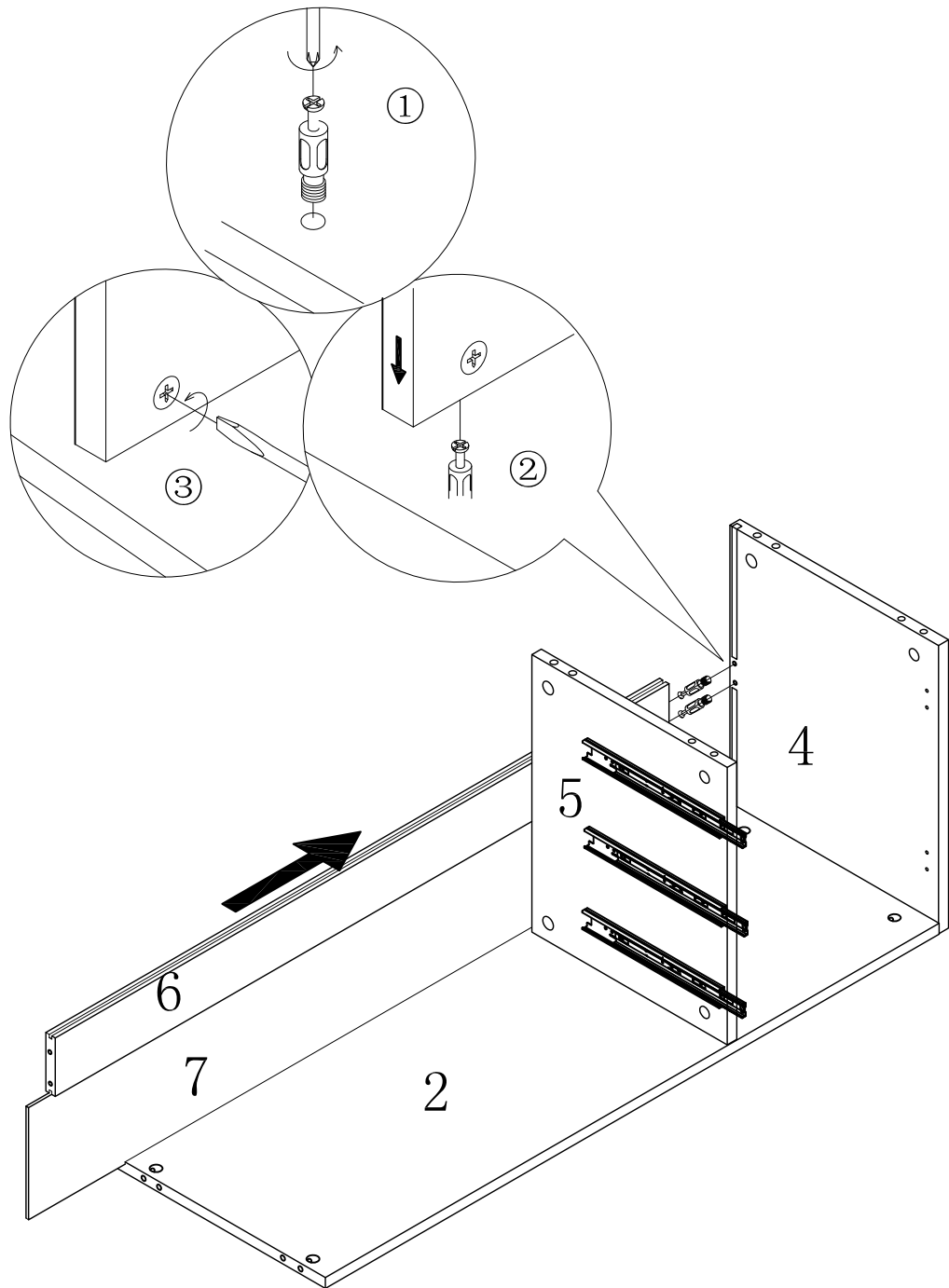
Step4:

					
M	12'	3pcs	G	M3*12	6pcs

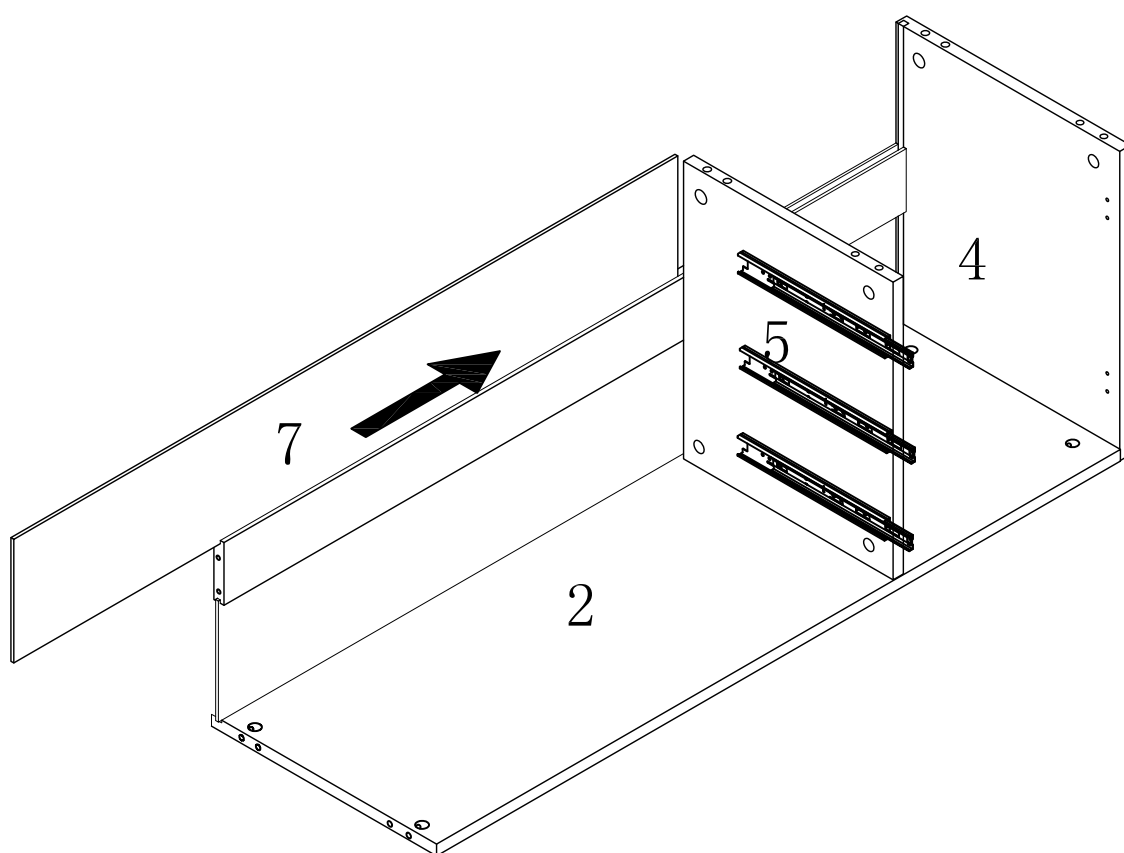


Step5:




					
D	L=42mm	2pcs	E	Ø15*13.5	2PCS

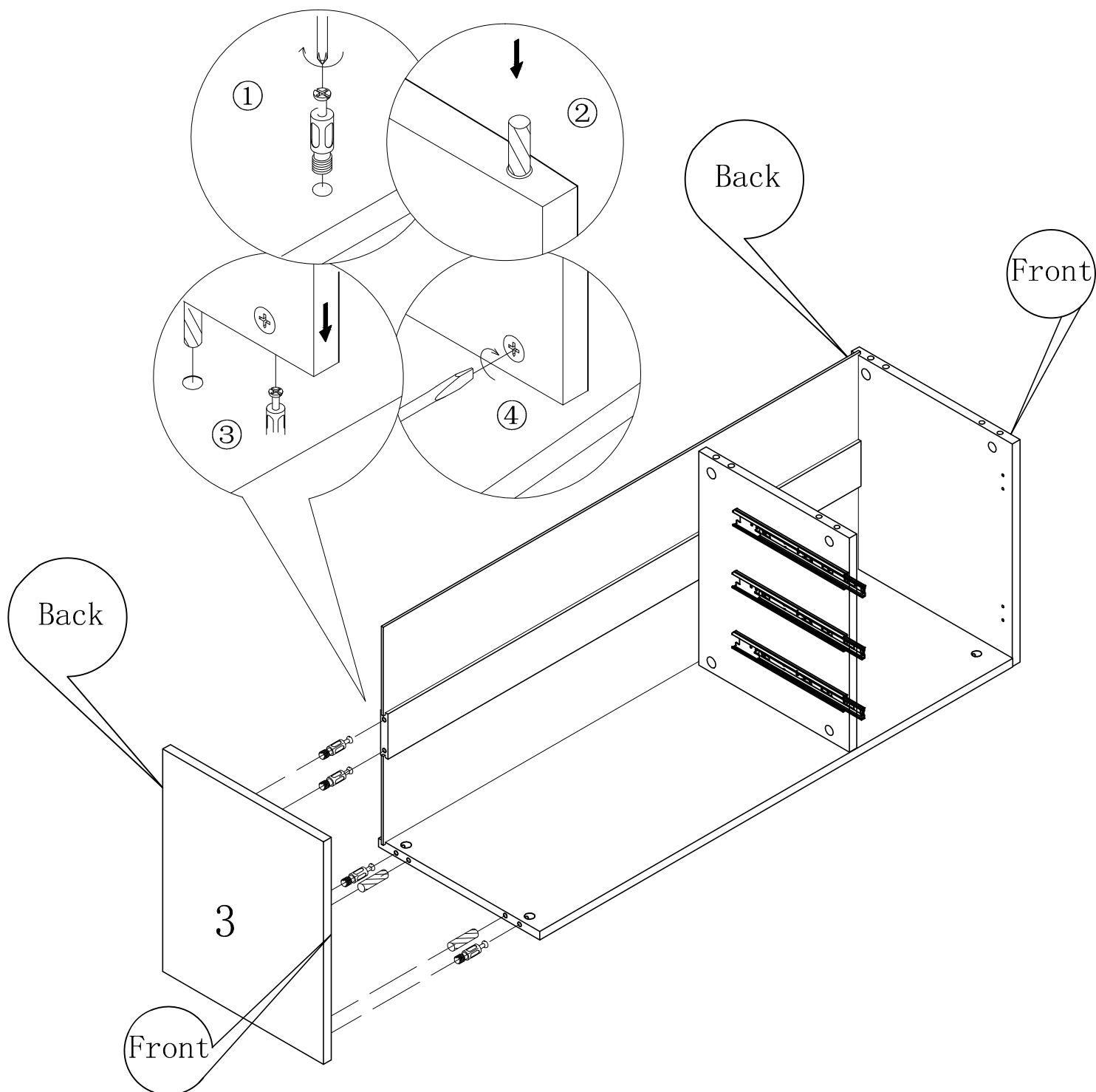


Step 6:


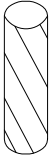



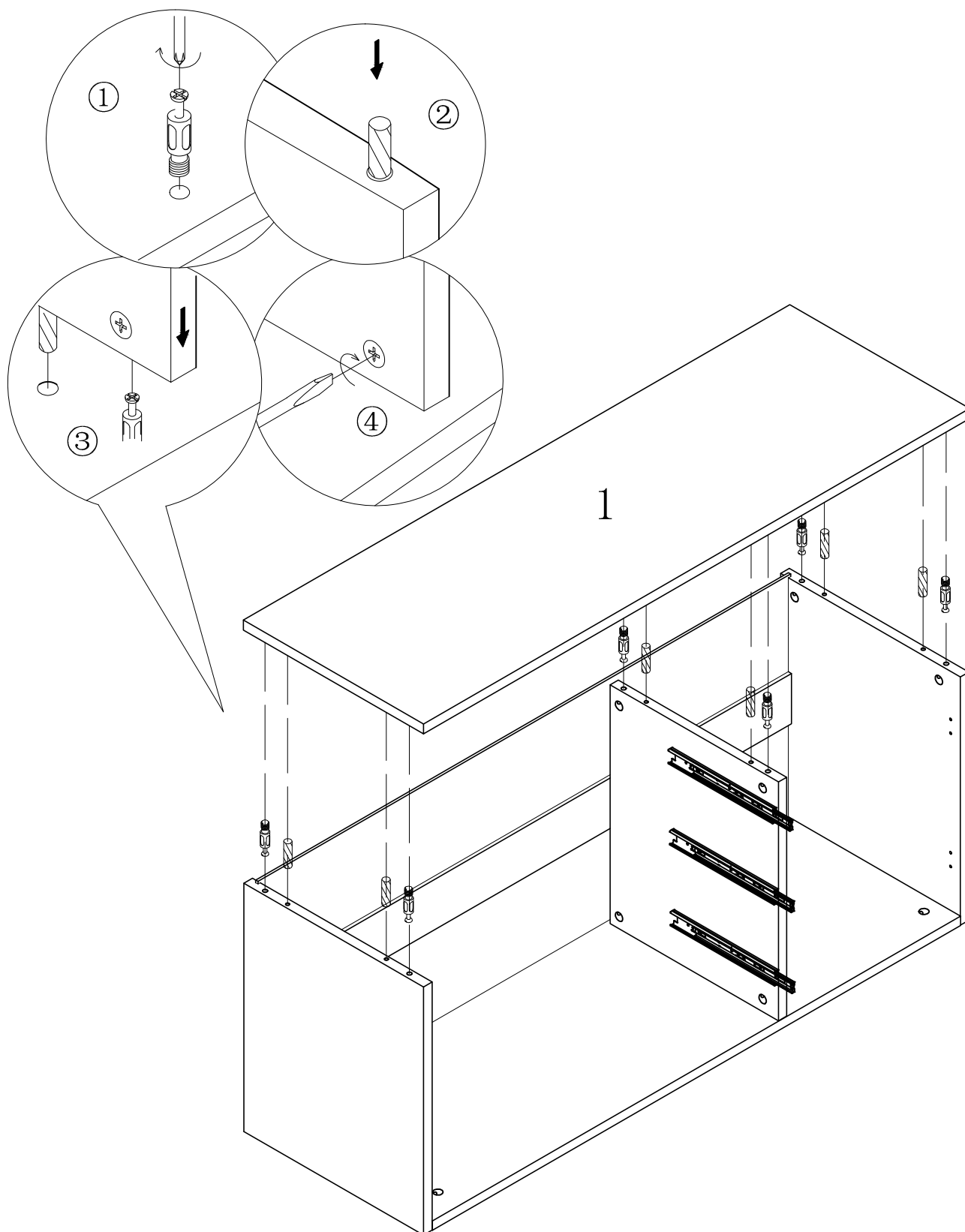
Step7:

								
D	L=42mm	4pcs	F	$\phi 8*30$	2pcs	E	$\phi 15*13.5$	4PCS

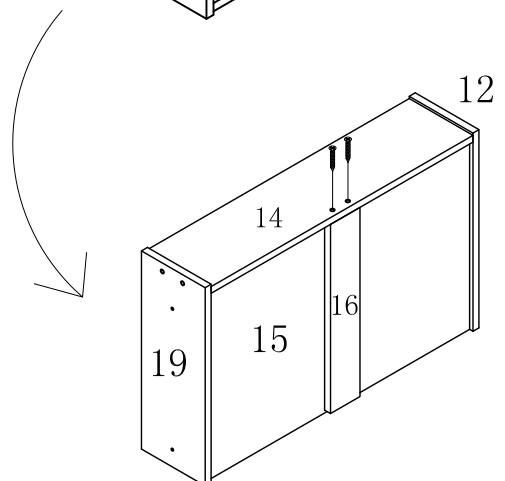
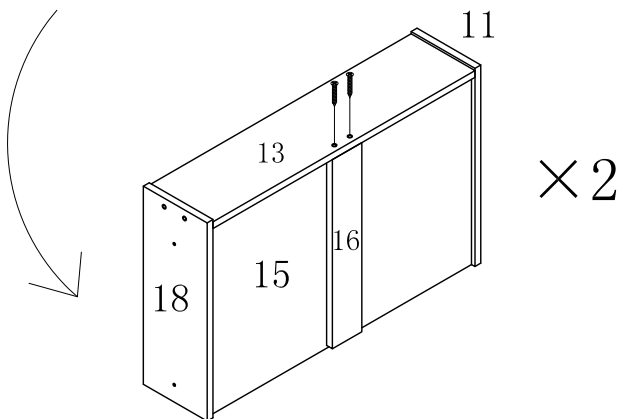
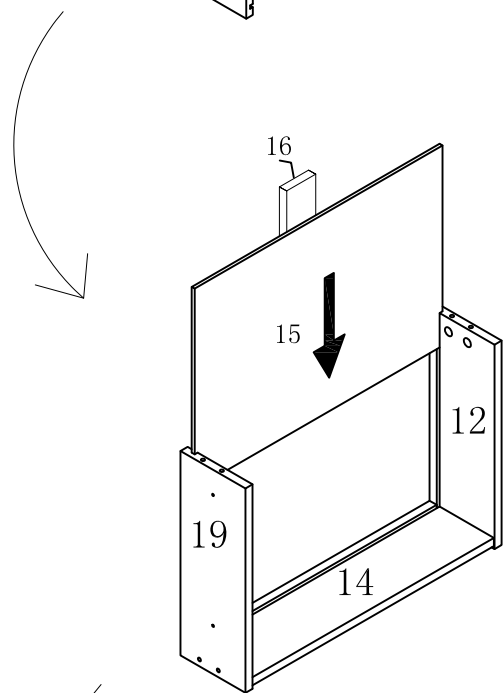
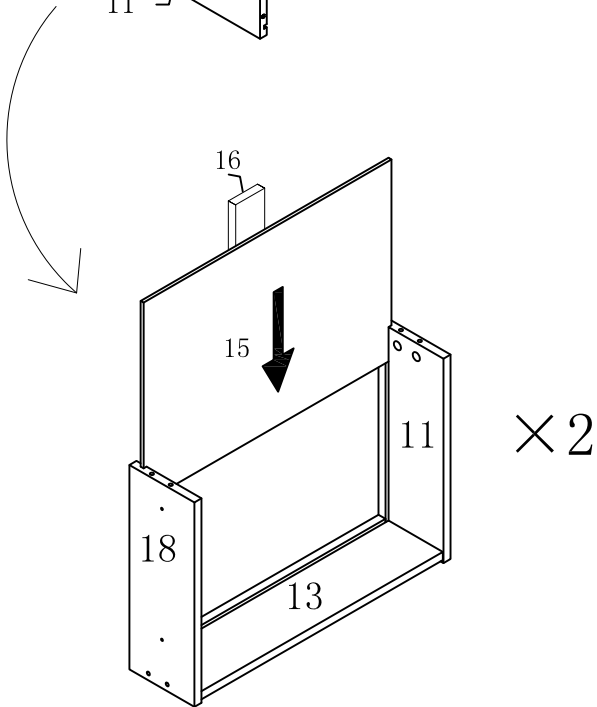
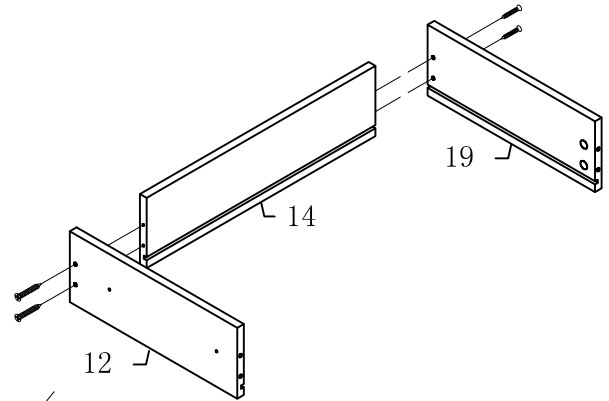
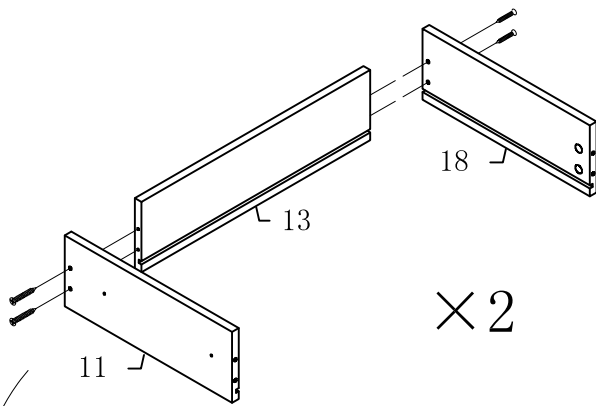
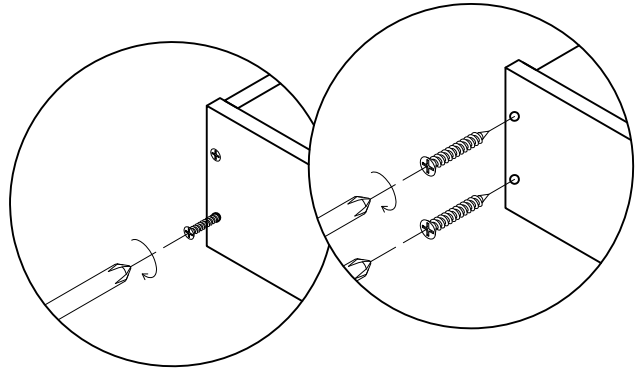
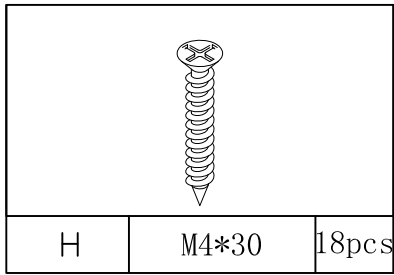


Step8:

								
D	L=42mm	6pcs	F	$\phi 8*30$	6pcs	E	$\phi 15*13.5$	6PCS

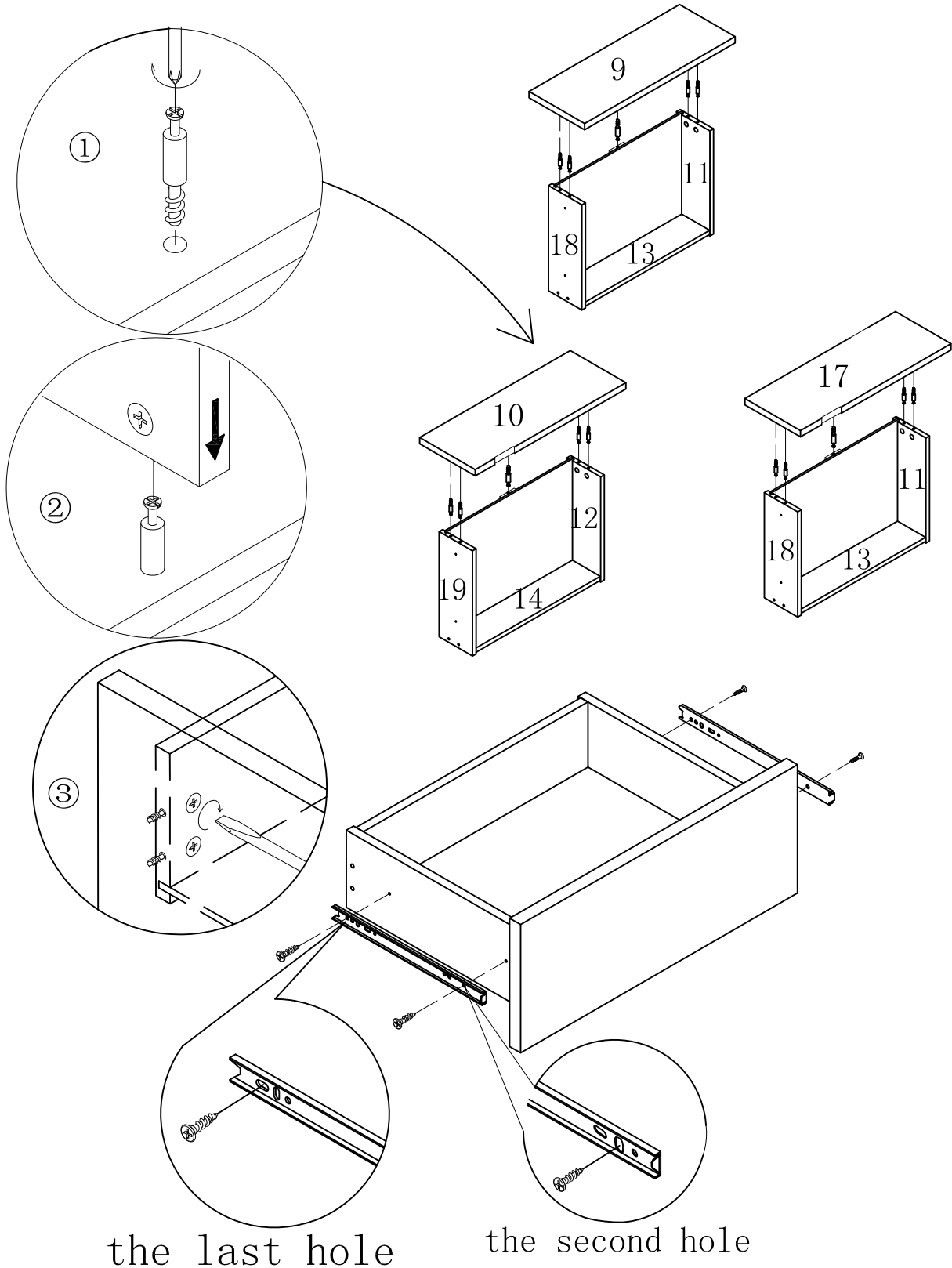


Step9:

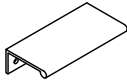
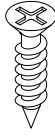


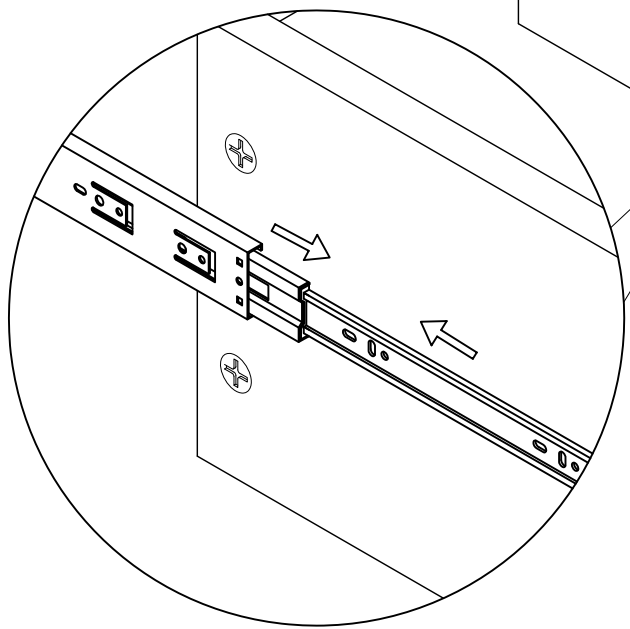
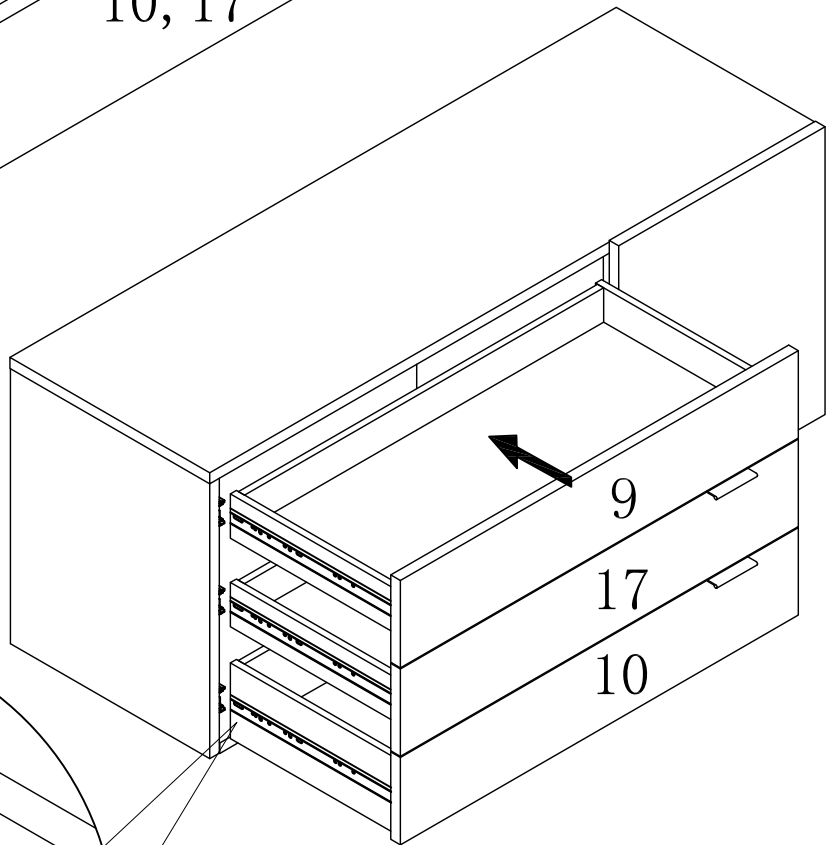
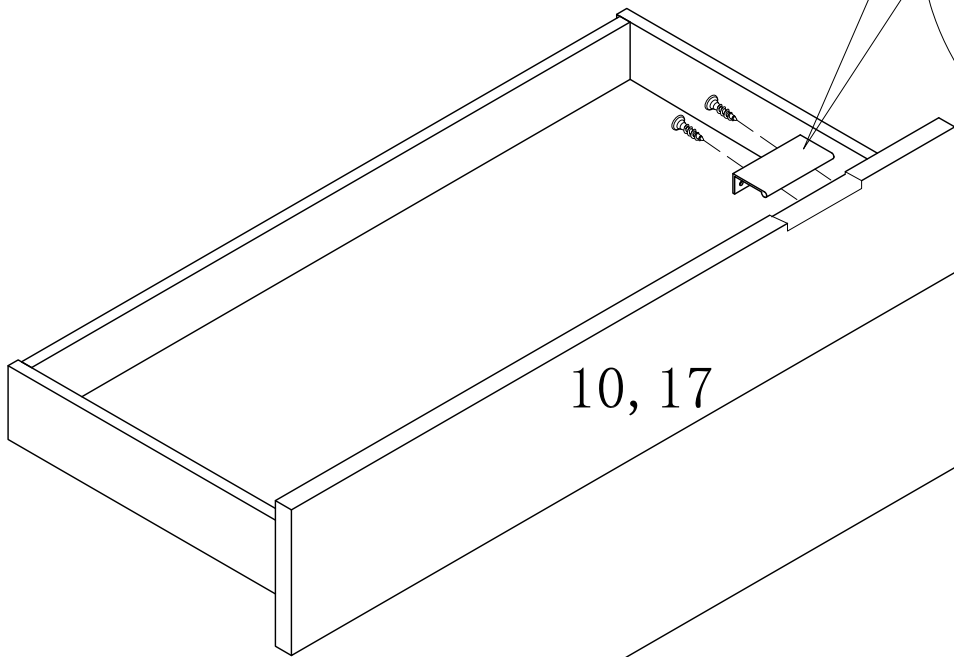
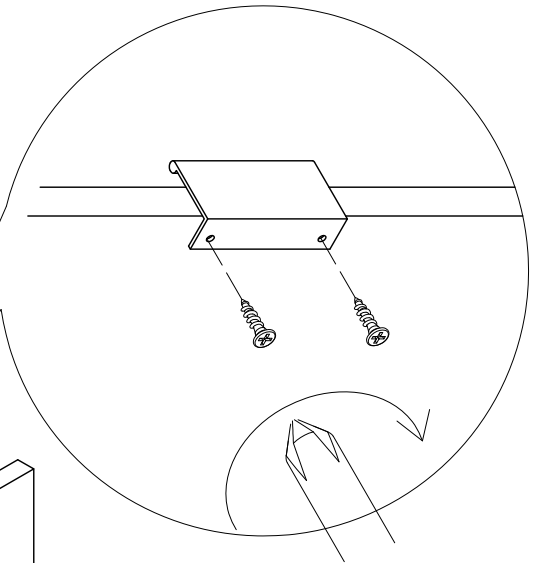
Step10:

I	L=20mm	15set	G	M3*12	12PCS	M	12"	6PCS

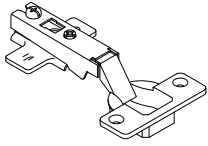
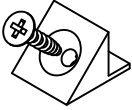


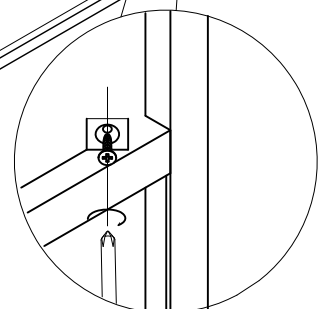
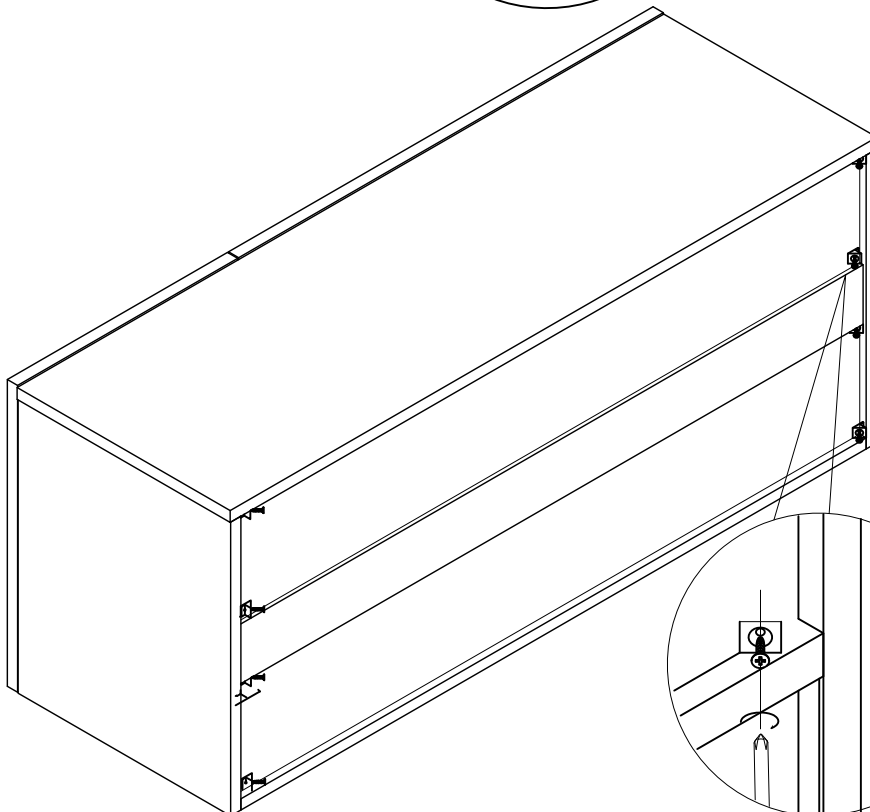
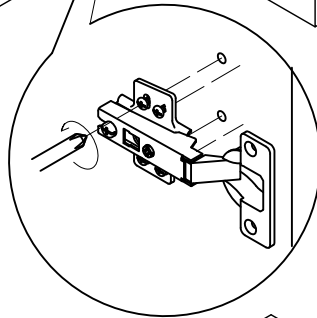
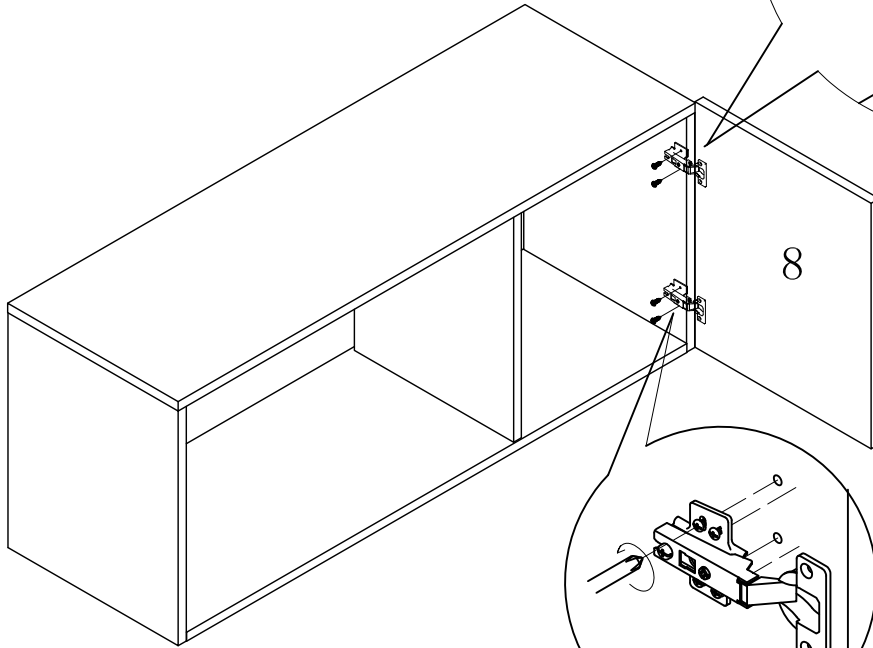
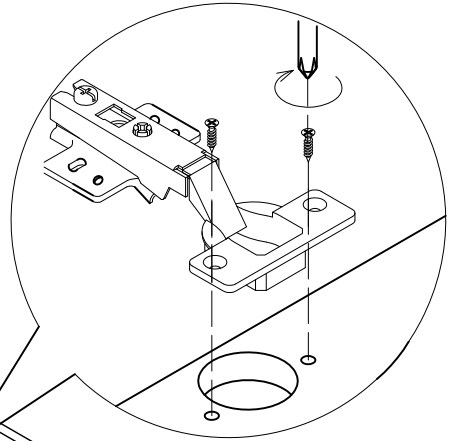
Step11:

					
B	80*H40	2PCS	C	M4*16	4PCS

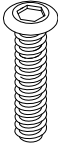
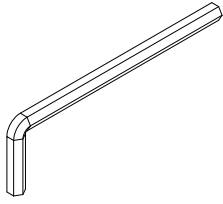


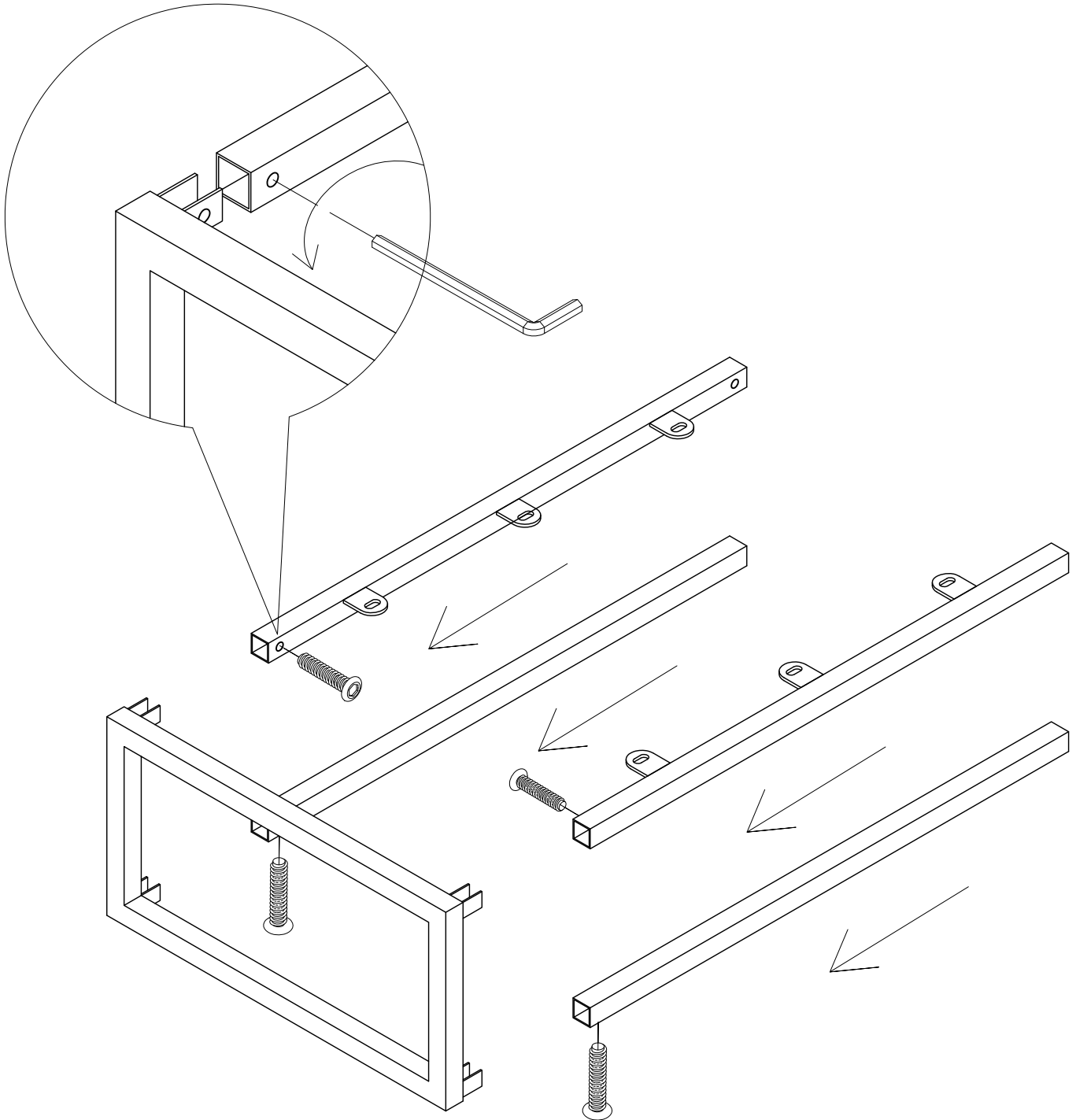
Step12:

					
A	/	2PCS	L	/	8sets

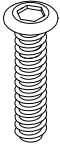
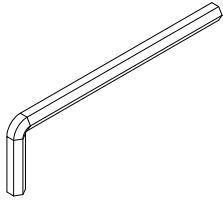


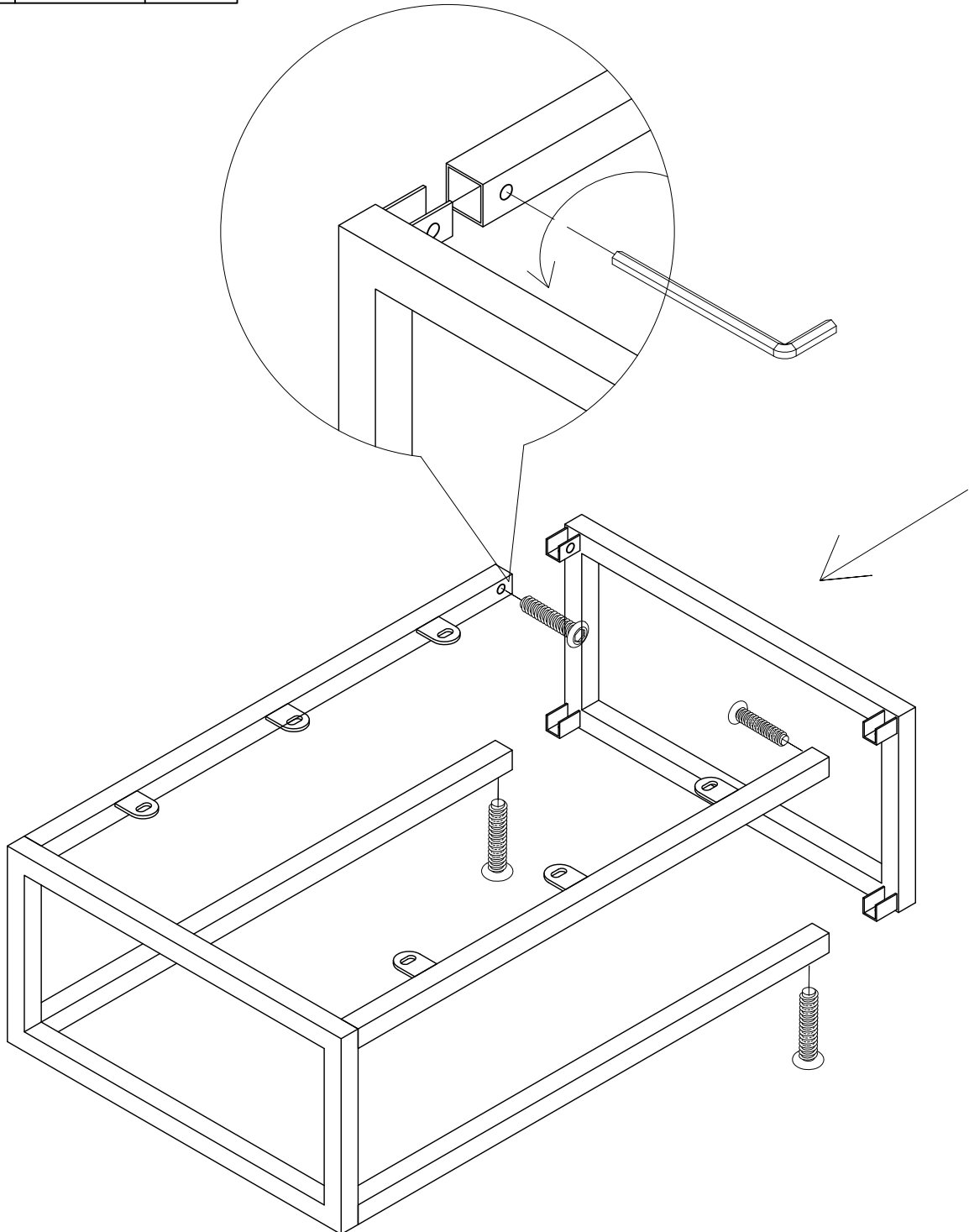
Step13:

					
N	inner hexagonal screw	4PCS	O	/	1pcs

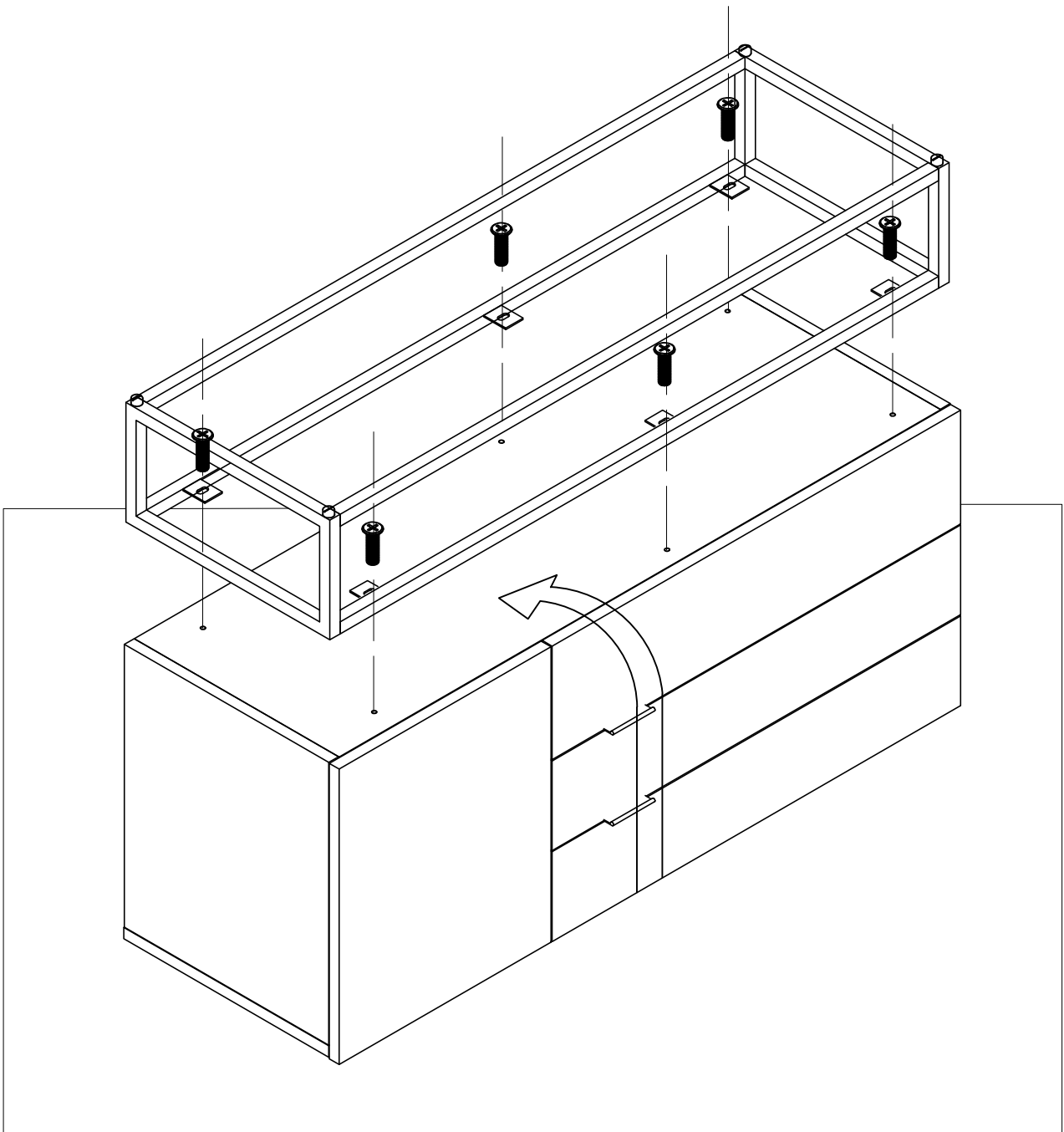
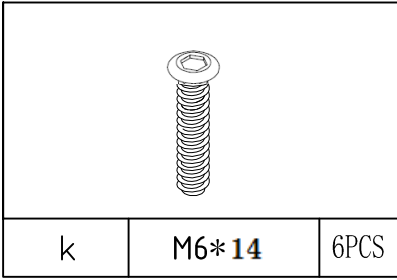


Step14:


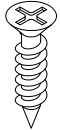
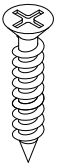

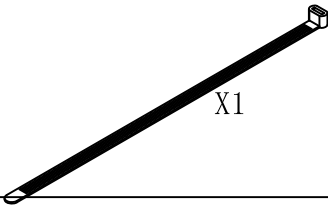
					
N	inner hexagonal screw	4PCS	O	/	1pcs

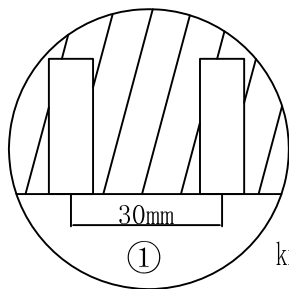


Step15:



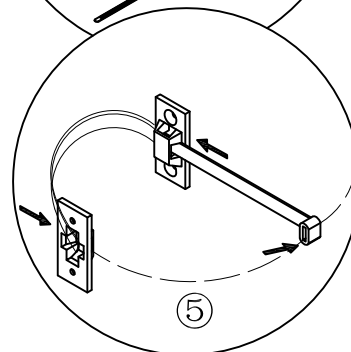
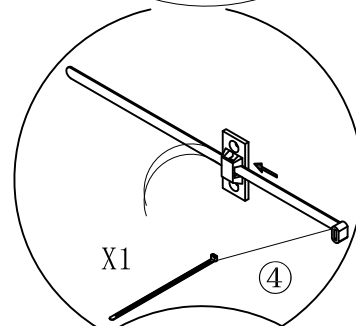
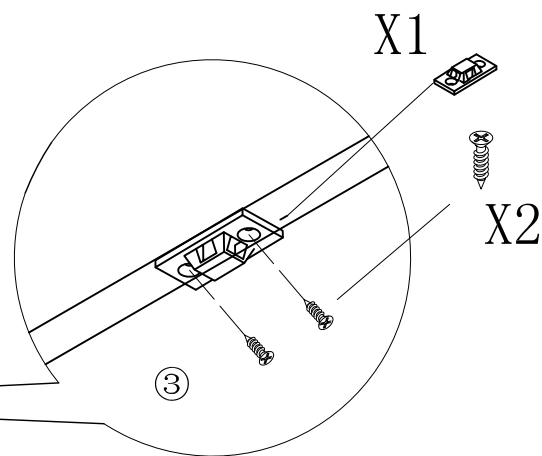
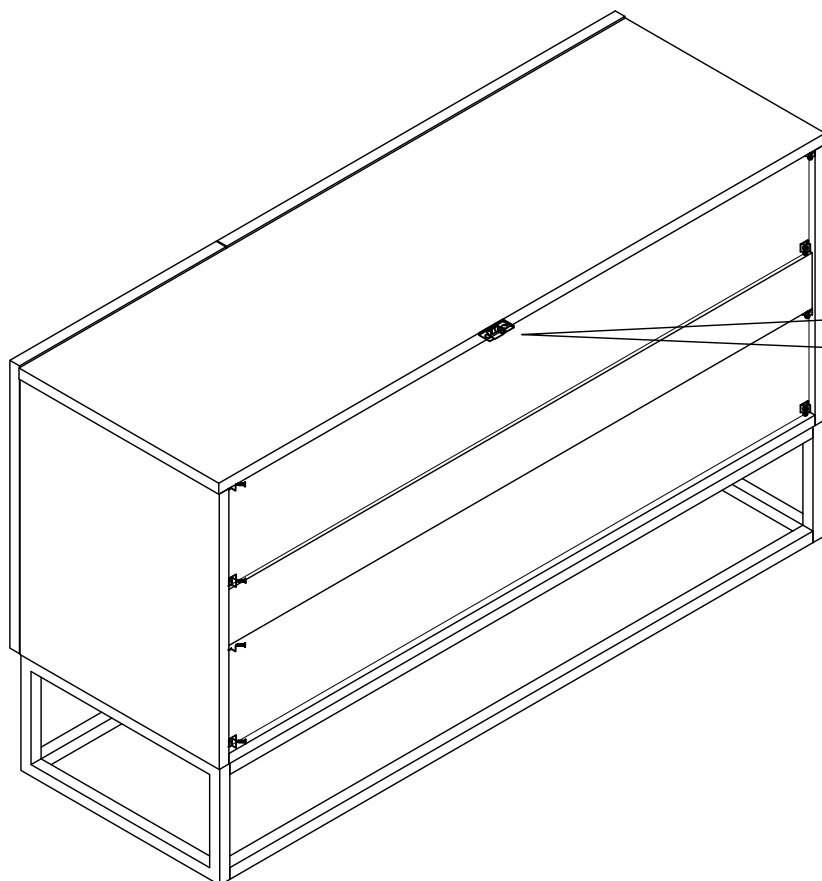
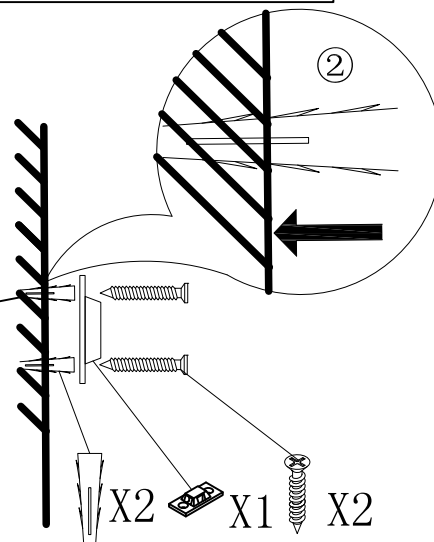
Step16:

	X2		X2		X2		X2		X1
J	/					Iset			

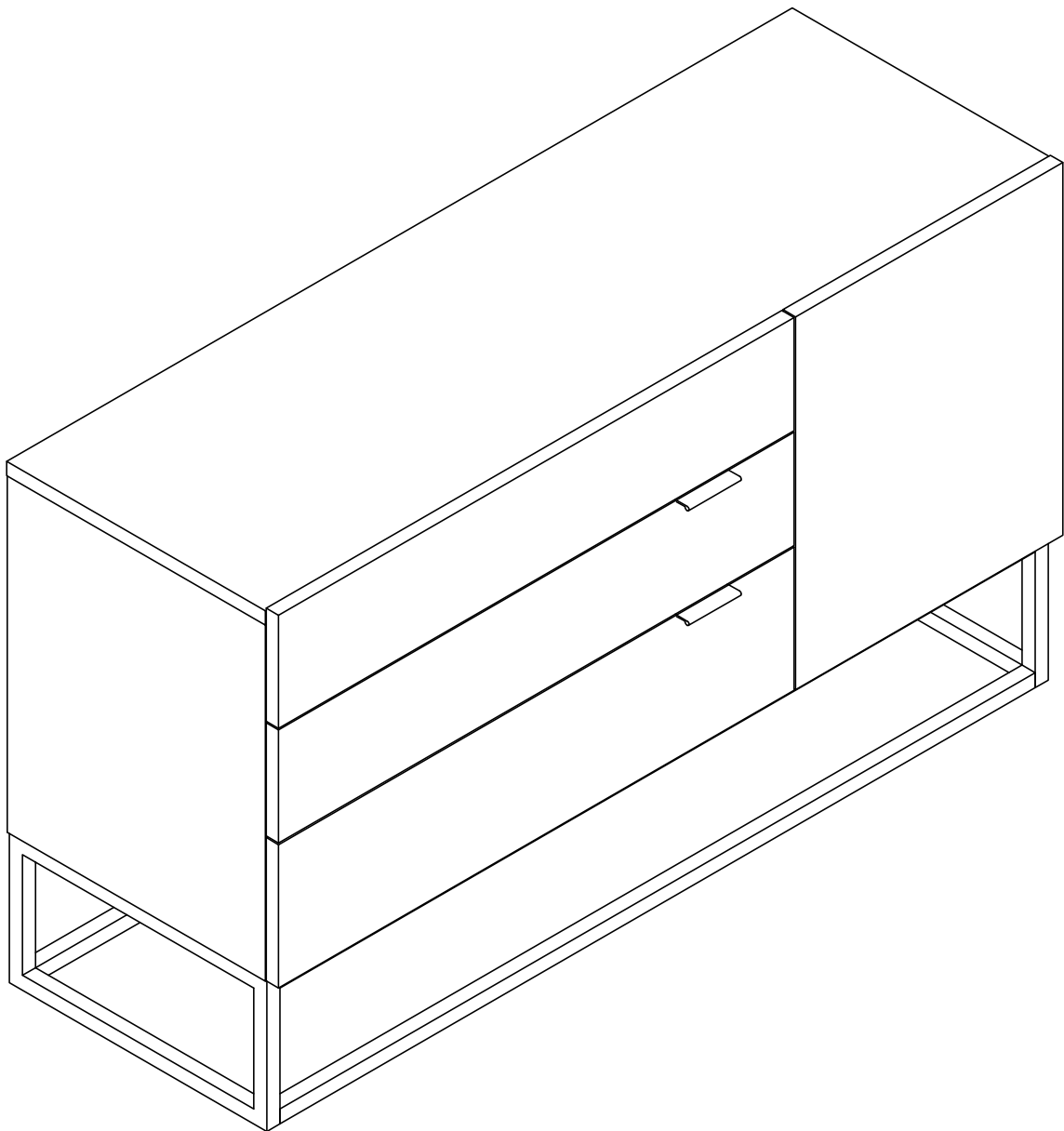


knock the plastic plug into the holes

Use a drill to make two holes ($\phi 6*50$)
on the wall



Step17:



Finish