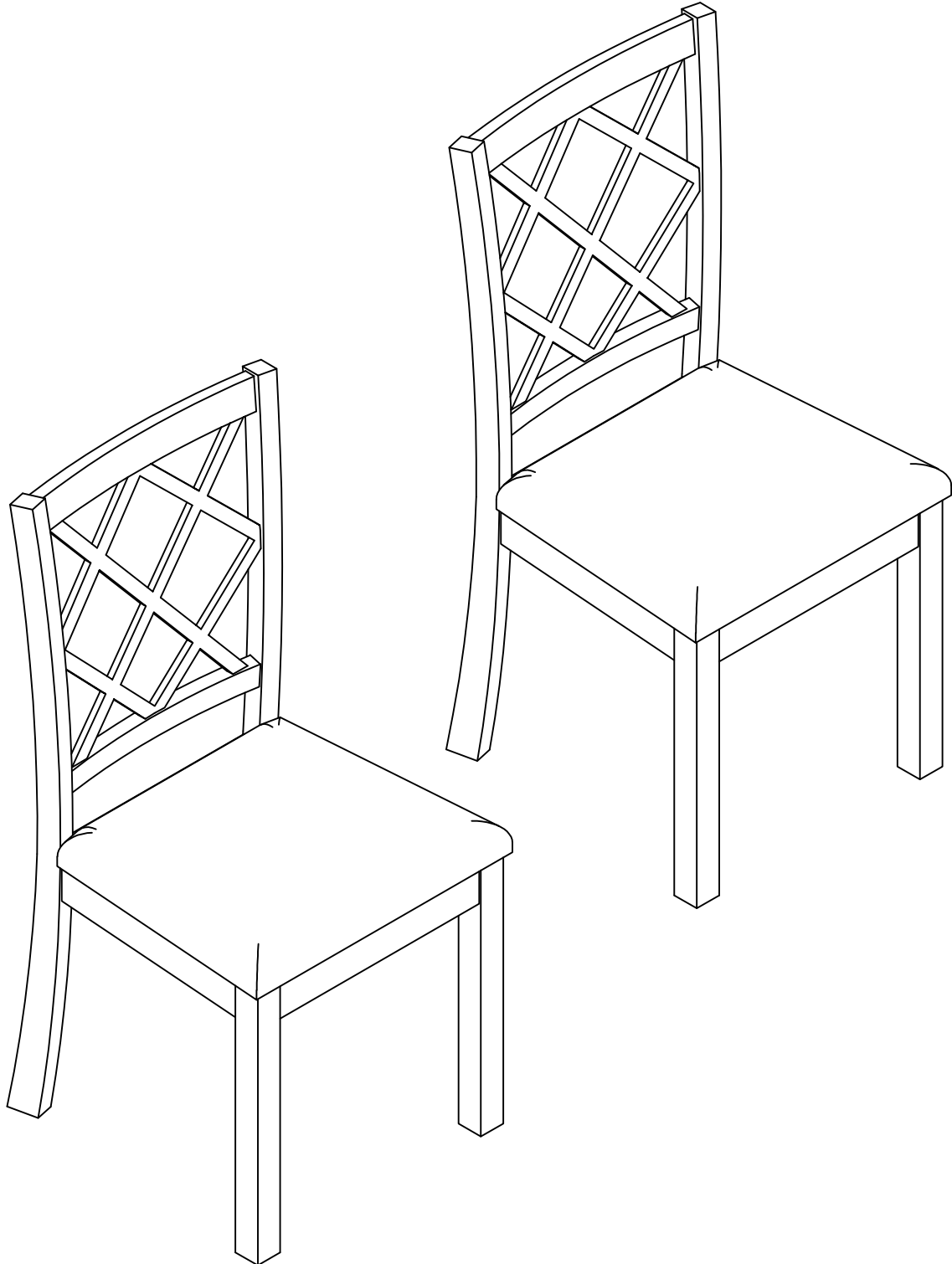
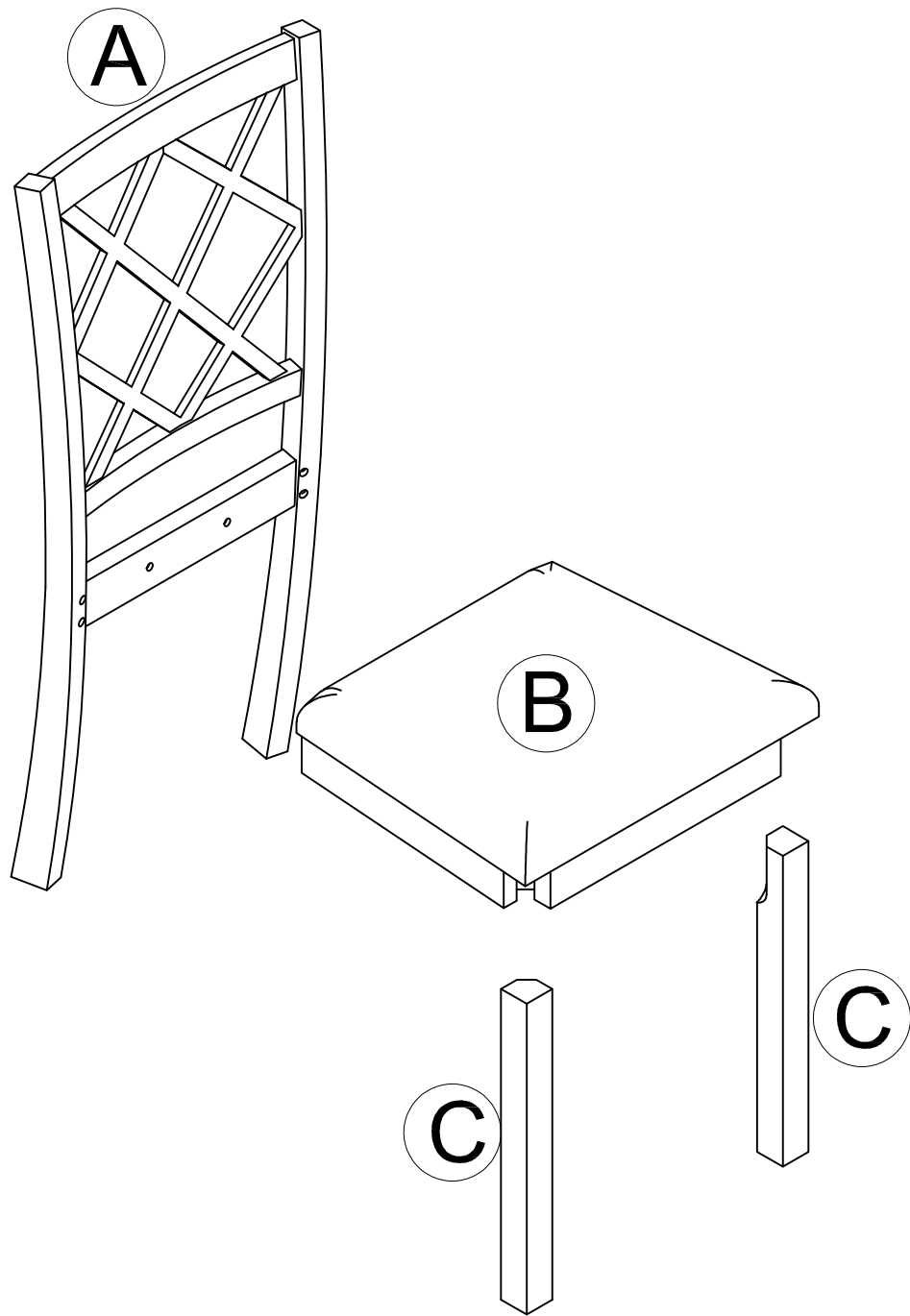


# ASSEMBLY INSTRUCTION

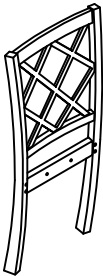
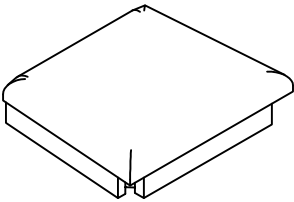

ITEM NO : 30537-C



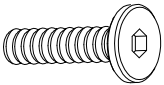
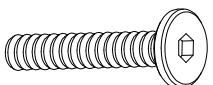
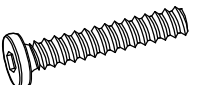



Detail view :



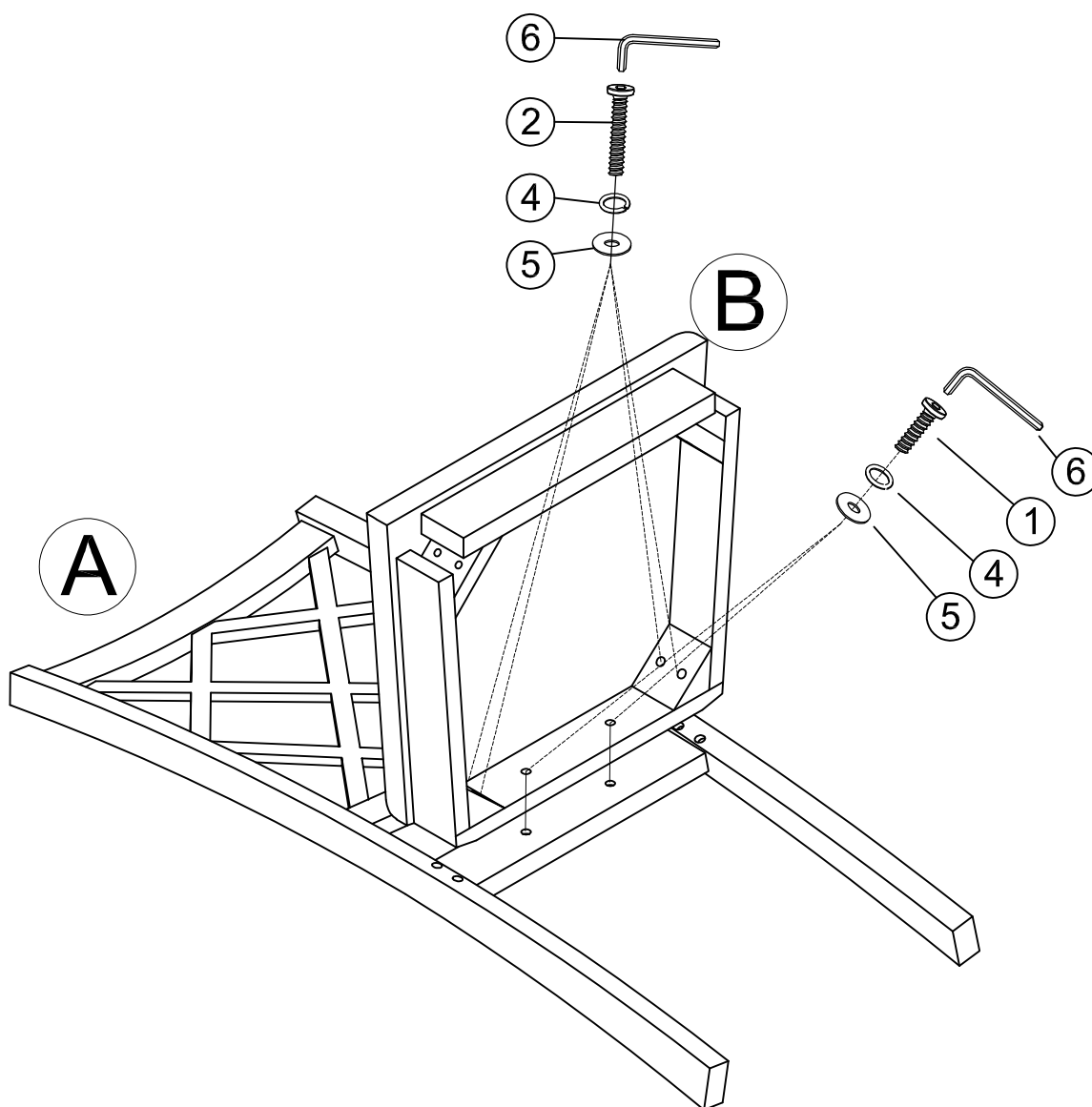
## Part Lists:

<p><b>A</b></p>  <p>Chair Back</p> <p>X2</p>	<p><b>B</b></p>  <p>Cushion</p> <p>X2</p>
<p><b>C</b></p>  <p>Chair Leg</p> <p>X4</p>	

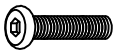



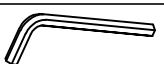
## Hardware Lists:

<p><b>1</b></p>  <p>Ø5/16" x 38mm Hex-head bolt (4pcs)</p>	<p><b>2</b></p>  <p>Ø5/16" x 75mm Hex-head bolt (8pcs)</p>
<p><b>3</b></p>  <p>Ø5/16" x 60mm Hex-head bolt (8pcs)</p>	<p><b>4</b></p>  <p>Ø5/16" Spring washer (20pcs)</p>
<p><b>5</b></p>  <p>Ø5/16" Flat washer(20pcs)</p>	<p><b>6</b></p>  <p>4mm Allen key (1pc)</p>

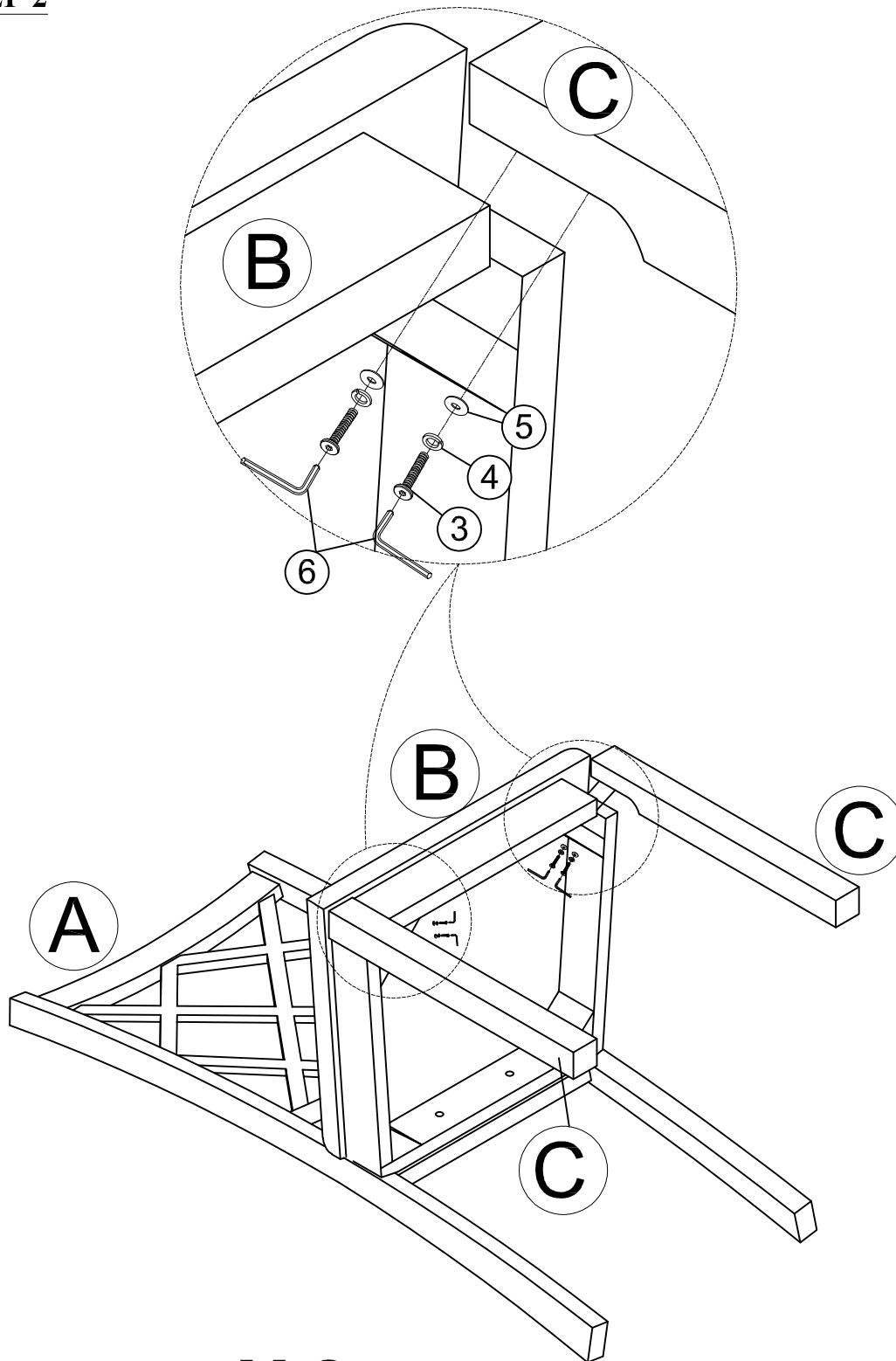
# STEP 1







**X 2**

<b>1</b>		02
<b>2</b>		04
<b>4</b>		06
<b>5</b>		06
<b>6</b>		01

**STEP 2**



**X 2**

<b>3</b>		04
<b>4</b>		04
<b>5</b>		04
<b>6</b>		01

**COMPLETED ASSEMBLY**

