

ASSEMBLY INSTRUCTIONS

ITEM # 30035 ALOUETTE BENCH


Please read instructions carefully

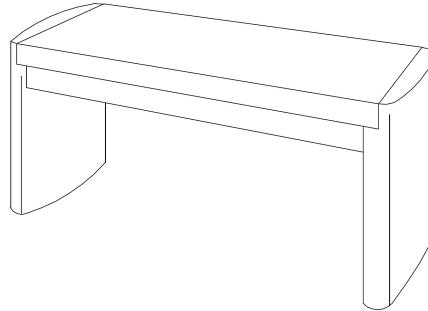
Remove all wrapping materials, staples and packing straps from the carton. Refer to Parts List and Hardware List and ensure they are complete before you start assembling. Place all wooden parts on a clean, flat and soft surface (e.g carpet or rug) to prevent parts from being scratched.

CAUTIONS:

- 1) DO NOT FULLY TIGHTEN BOLTS AND NUTS UNTIL ALL PARTS HAVE BEEN ASSEMBLED.
- 2) DO NOT OVER-TIGHTEN BOLTS AND NUTS UNTIL ALL PARTS HAVE BEEN ASSEMBLED.
- 3) KEEP ALL HARDWARE PARTS OUT OF REACH CHILDREN.

| | PARTS LIST | QTY. |
|----|------------|------|
| P1 | BENCH SEAT | 1 |
| P2 | BENCH LEG | 2 |


| | HARDWARE LIST | QTY. |
|----|--|------|
| H1 | M6 x 40mm JCBC SCREW  | 12 |
| H2 | SPRING WASHER  | 12 |
| H3 | FLAT WASHER  | 12 |
| H4 | WOODEN DOWEL M8 x 30mm  | 4 |
| H5 | LEG GLIDE  | 4 |
| H6 | ALLEN KEY  | 1 |

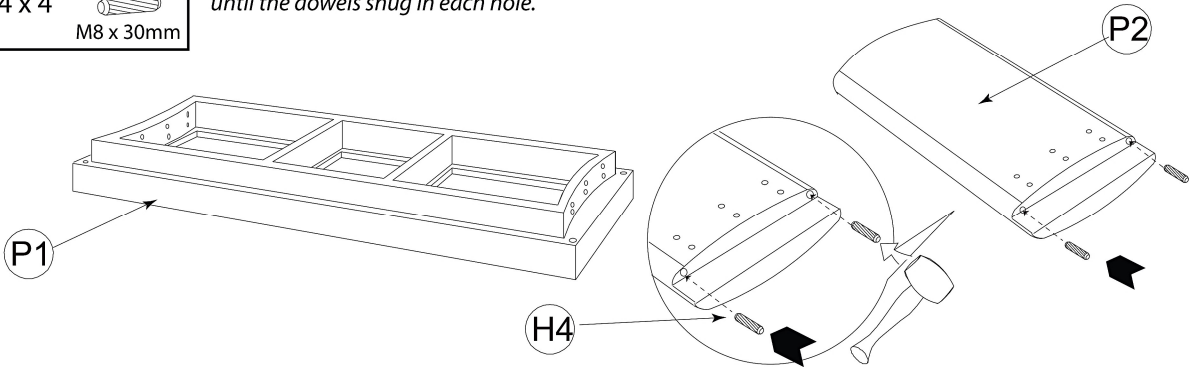


COMPLETE ASSEMBLY

STEP 1


While preparing the bench seat (P1) by placing it upside-down on a flat, soft & clean surface. Get all the Bench leg (P2) to insert the Wooden dowel (H4) into the designated holes at the Legs, until the dowels snug in each hole.

H4 x 4 
M8 x 30mm



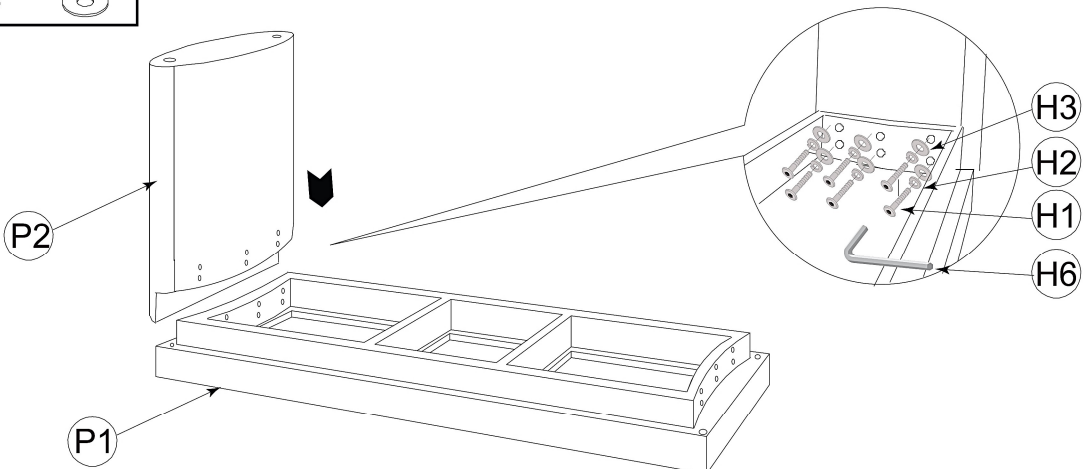
STEP 2

Assemble the Table legs (P2) one by one by attaching them to the connecting blocks in the Bench Seat, and make sure the locating wooden dowels in the legs are snug into the hole in the bench seat. Then, Align Bolt (H1) fitted with a Spring Washer (H2) & a Flat Washer (H3) through the holes in the connecting blocks, respectively. Tighten the bolts using the Allen Key (H6).

H1 x 6 
M6 x 40mm

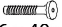


H2 x 6 

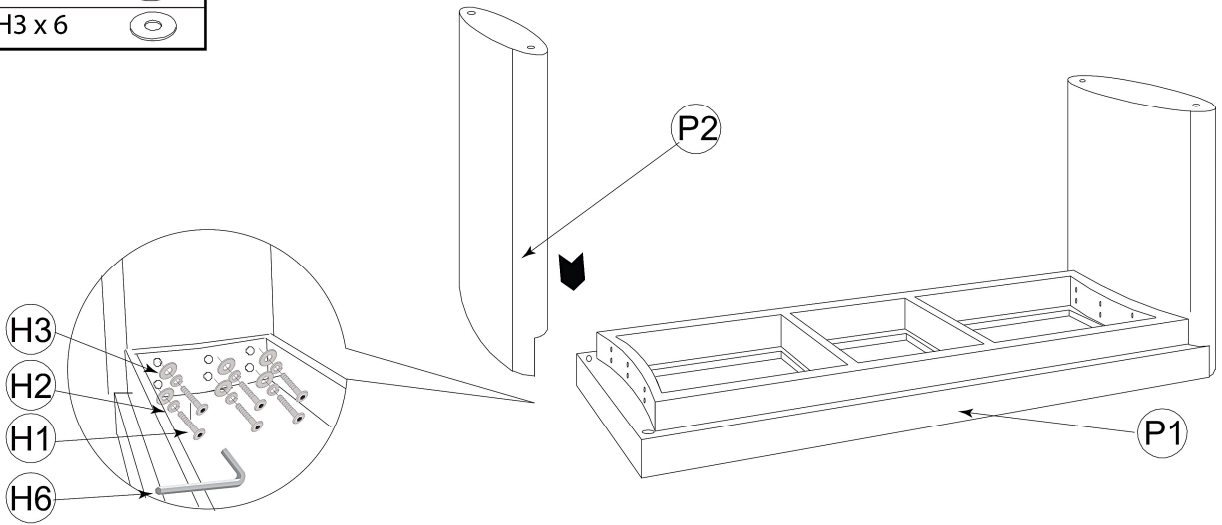
H3 x 6 



STEP 3

Assemble the other side of Bench leg (P2) by attaching it to the apron in the Bench Seat, and make sure the locating wooden dowels in the bench leg are snug in the holes at the bench seat. Then, Align Bolt (H1) fitted with a Spring Washer (H2) & a Flat Washer (H3) through the holes in the connecting blocks, respectively. Tighten the bolts using the Allen Key (H6).

| | |
|-----------|---|
| H1 x 6 |  |
| M6 x 40mm | |
| H2 x 6 |  |
| H3 x 6 |  |

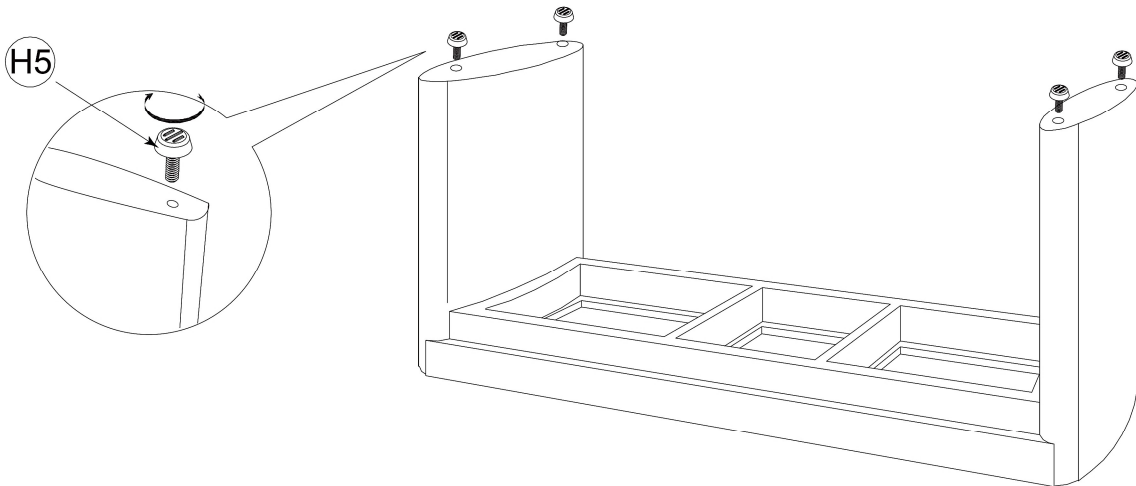


STEP 4

H5 x 4



Align the Leg Glide (H5) into nuts in the Table Leg Base.



THEN, CAREFULLY PUT THE BENCH UPRIGHT

CARE AND MAINTENANCE

- SAFETY** - To avoid any risk of suffocation to children and animals, dispose off plastic bags immediately.
- CLEANING** - Clean with damp cloth and mild detergent. Do not use bleach or abrasive products.
- FITTINGS** - Tighten bolts and nuts from time to time to ensure all parts of product are securely fitted.