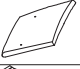
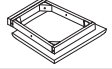
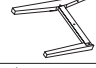







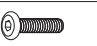


ASSEMBLY INSTRUCTIONS

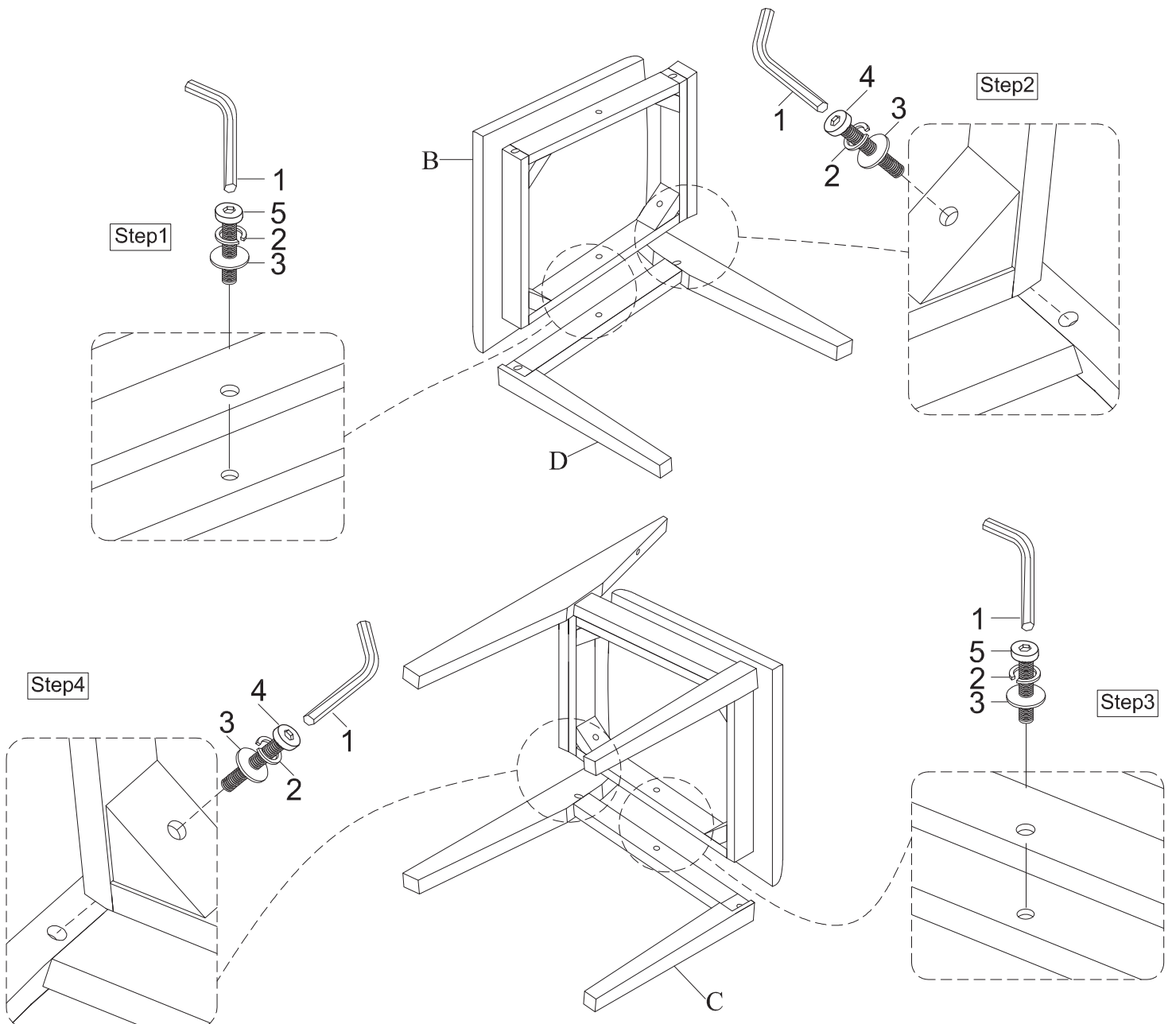
30021 CHAIR

PARTS LIST

No.	DESCRIPTION	SKETCH	Q'TY
A	BACK		1PC
B	CUSHION SEAT		1PC
C	RIGHT SIDE LEG FRAME		1PC
D	RIGHT SIDE LEG FRAME		1PC

HARDWARE LIST

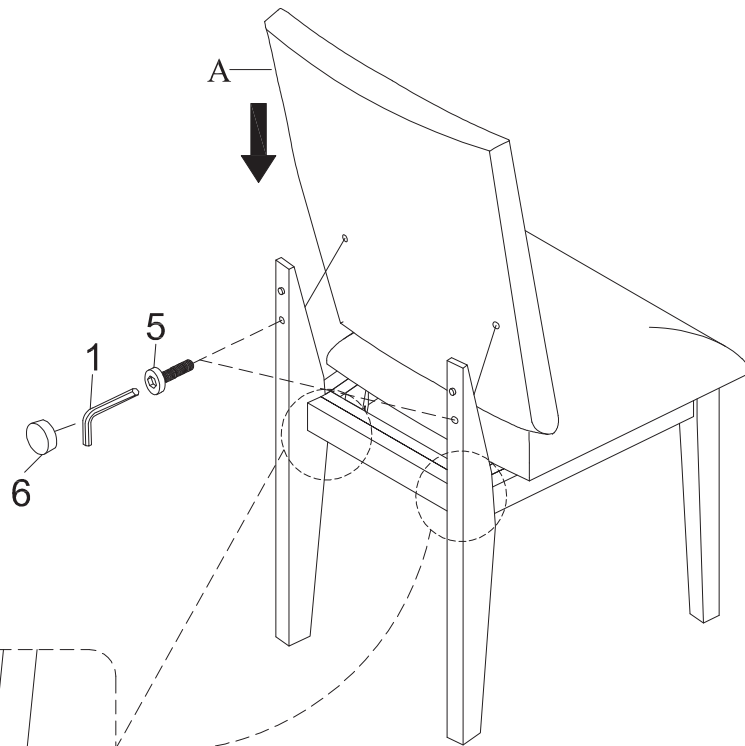
NO.	DESCRIPTION	SKETCH	Q'TY
1	ALLEN KEY 4MM		1PC
2	SPRING WASHER Ø1/4"		6PCS
3	FLAT WASHER Ø1/4"X19MM		6PCS
4	BOLT Ø1/4"*75MM		4PCS
5	BOLT Ø1/4"*35MM		4PCS
6	NUTS		2PCS
7	WOOD SCREW #8"*50MM		2PCS



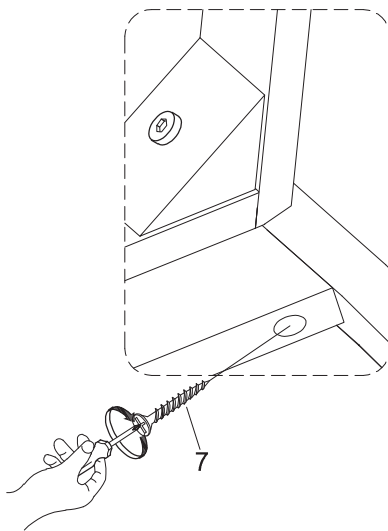
ASSEMBLY INSTRUCTIONS

30021 CHAIR

Step5



Step6



Tighten all bolts at this step.

