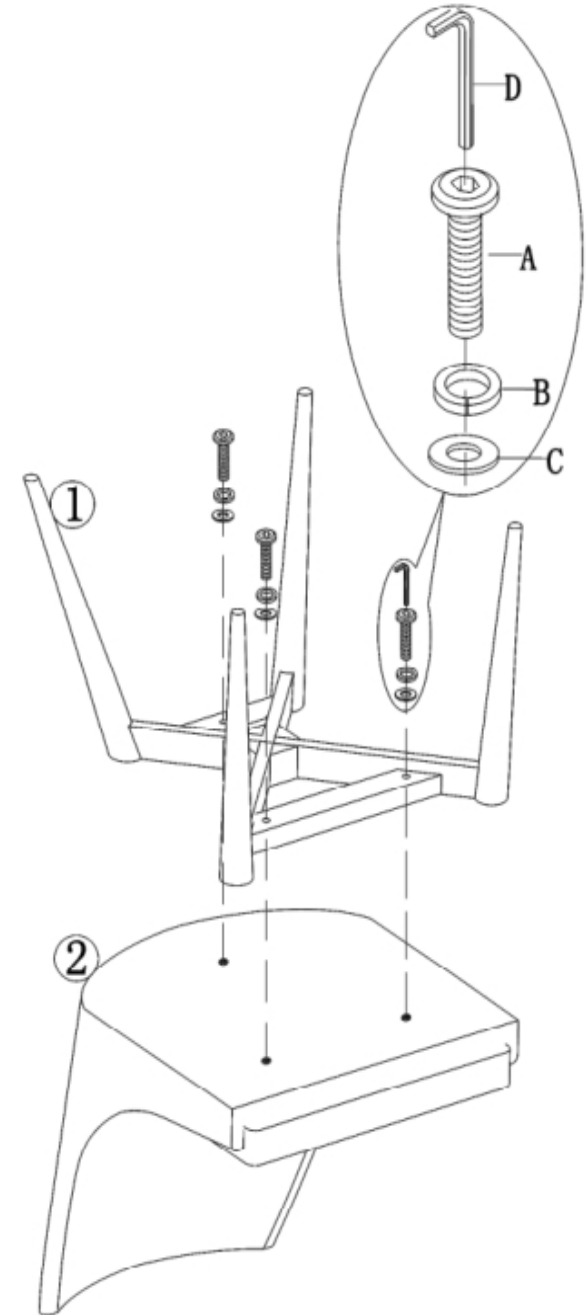
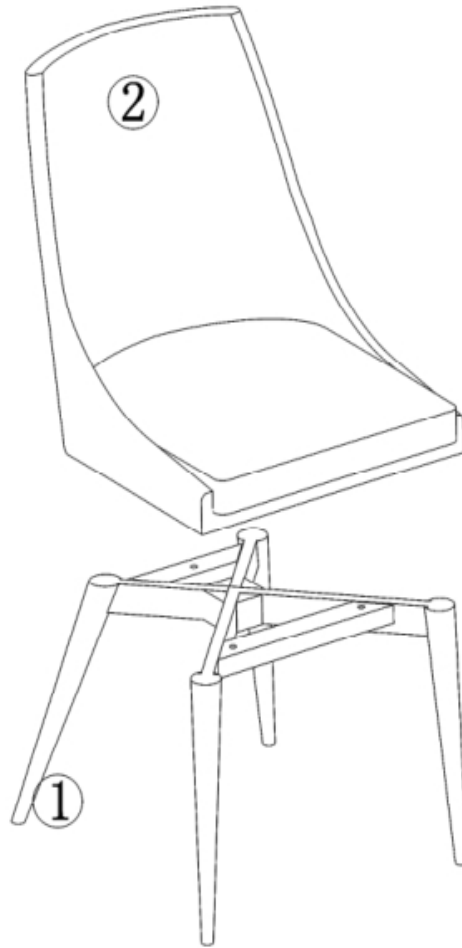
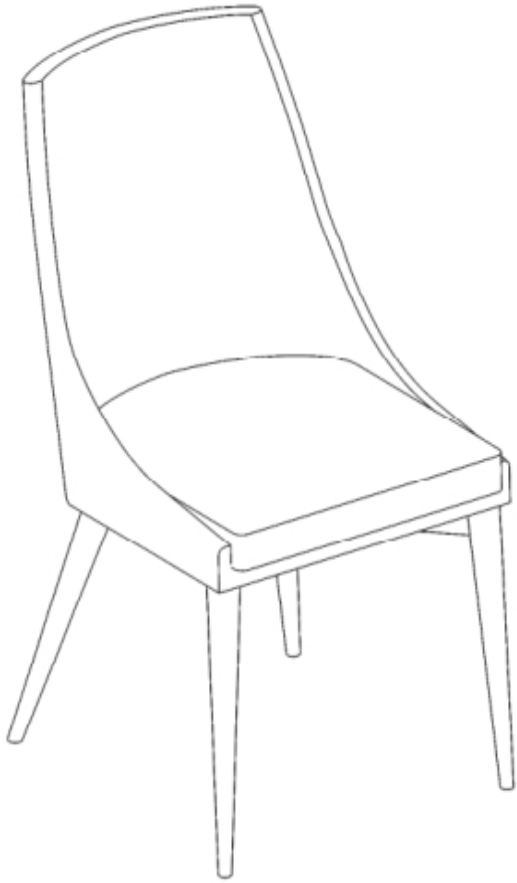


ASSEMBLY INSTRUCTION



A=3PCS

B=3PCS

C=3PCS

D=1PC



M6 × 40mm

Φ10 × H1.5mm

Φ20 × 1mm

Key k4