



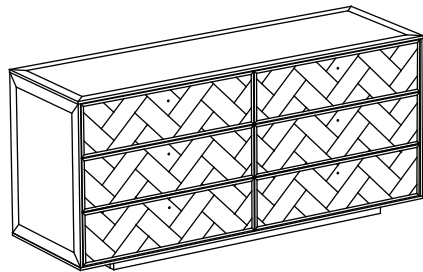


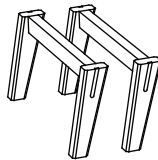
ASSEMBLY INSTRUCTIONS

COLTON DRESSER L1500x W480 x H835 mm

No.	Hardware List		Q'ty
1		Bolt 8x40	6
2		Flat Washer	6
3		Lock Washer	6
4		Allen wrench 4mm	1

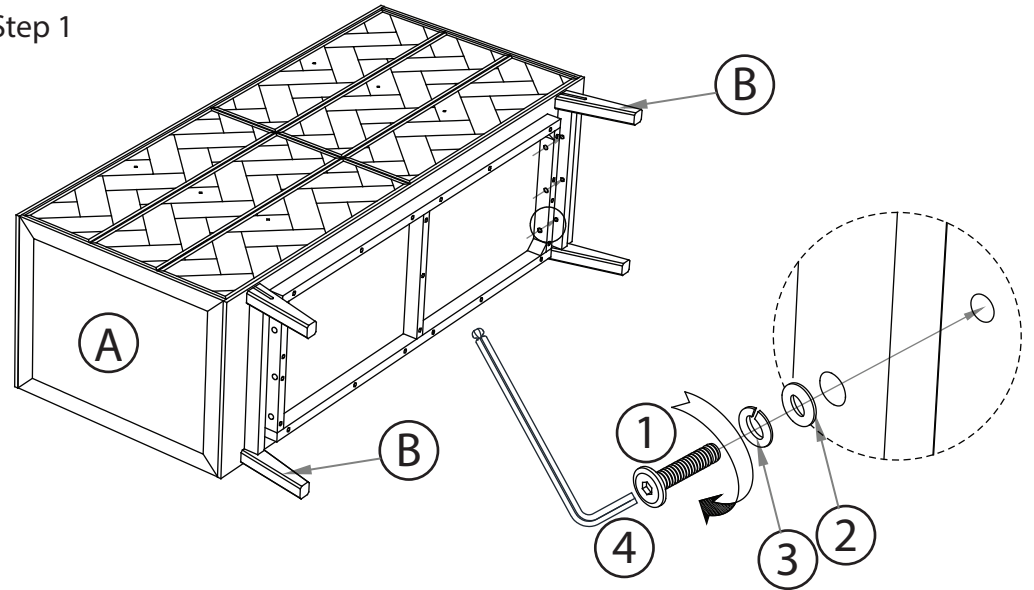


A x 1

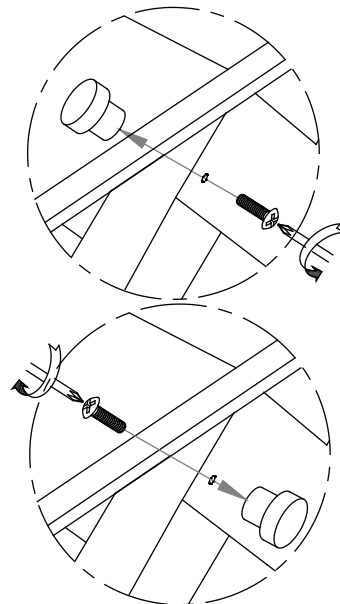
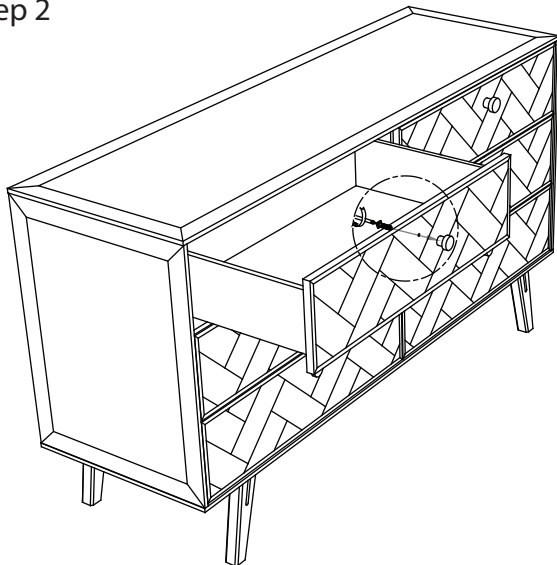


B x 2

Step 1



Step 2



FINISH!

