



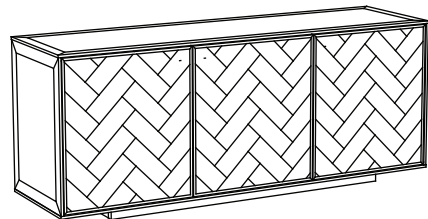


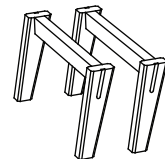
# ASSEMBLY INSTRUCTIONS

## COLTON SIDEBOARD L1600x W450 x H800 mm

No.	Hardware List		Q'ty
1		Bolt 8x40	6
2		Flat Washer	6
3		Lock Washer	6
4		Allen wrench 4mm	1

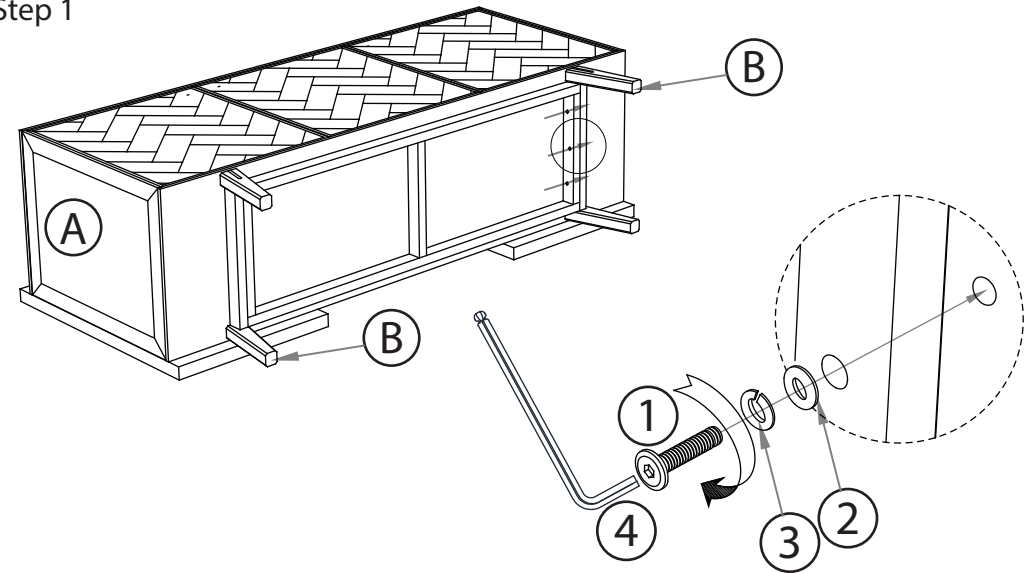


A x 1

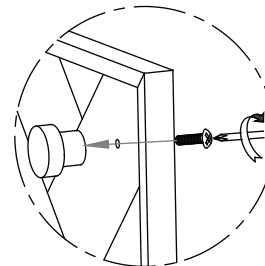
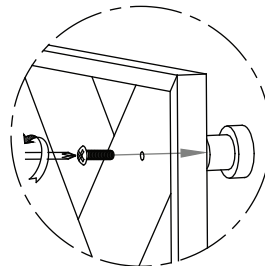
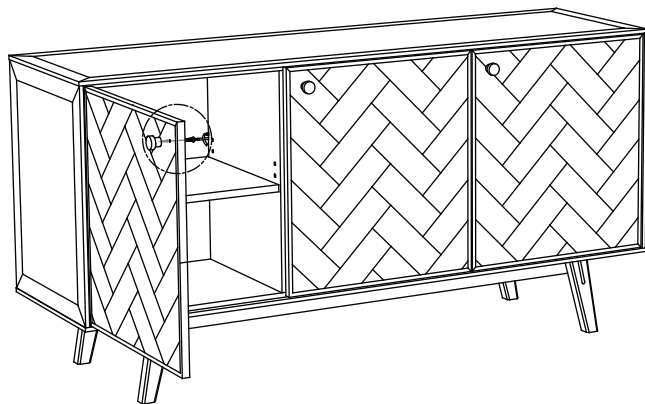


B x 2

### Step 1



### Step 2



### FINISH!

