

# ASSEMBLY INSTRUCTIONS

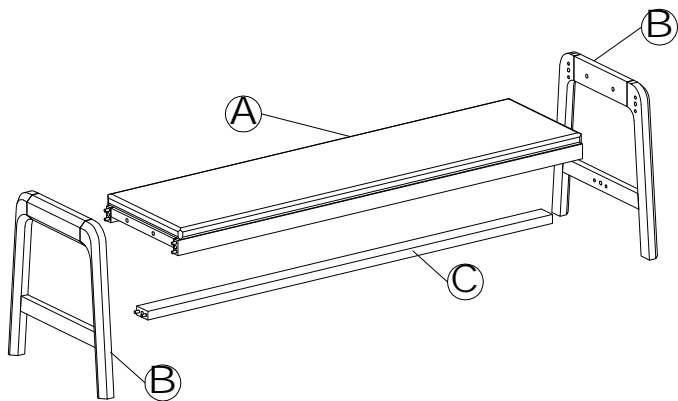
## ARIZONA DINING BENCH

### Parts Check List

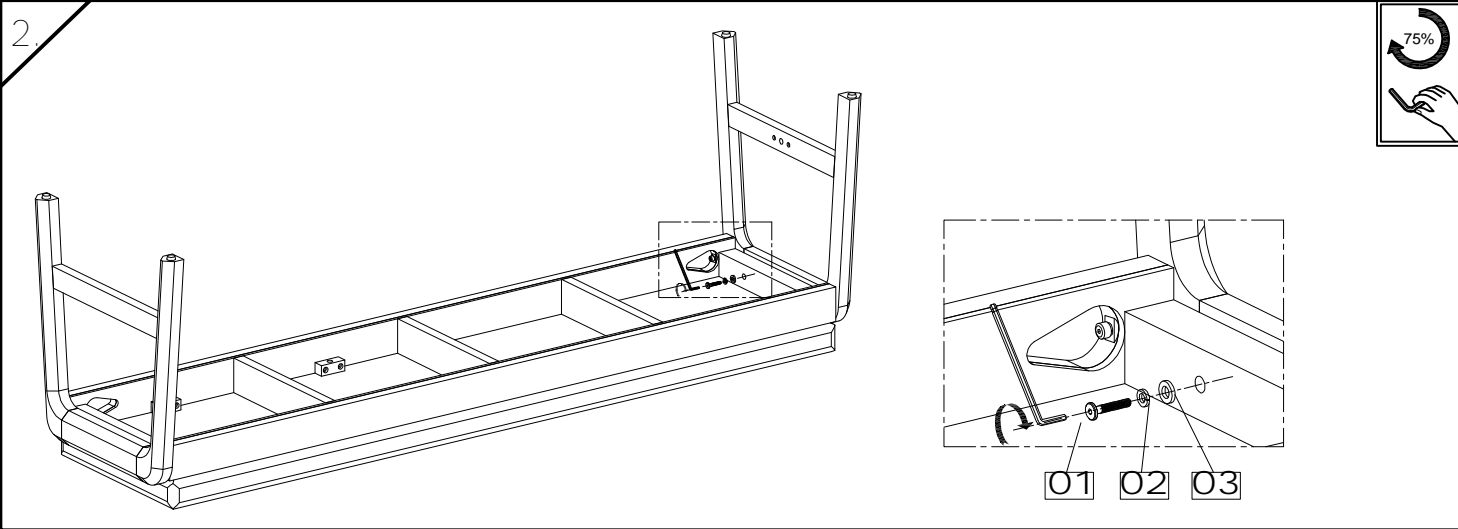
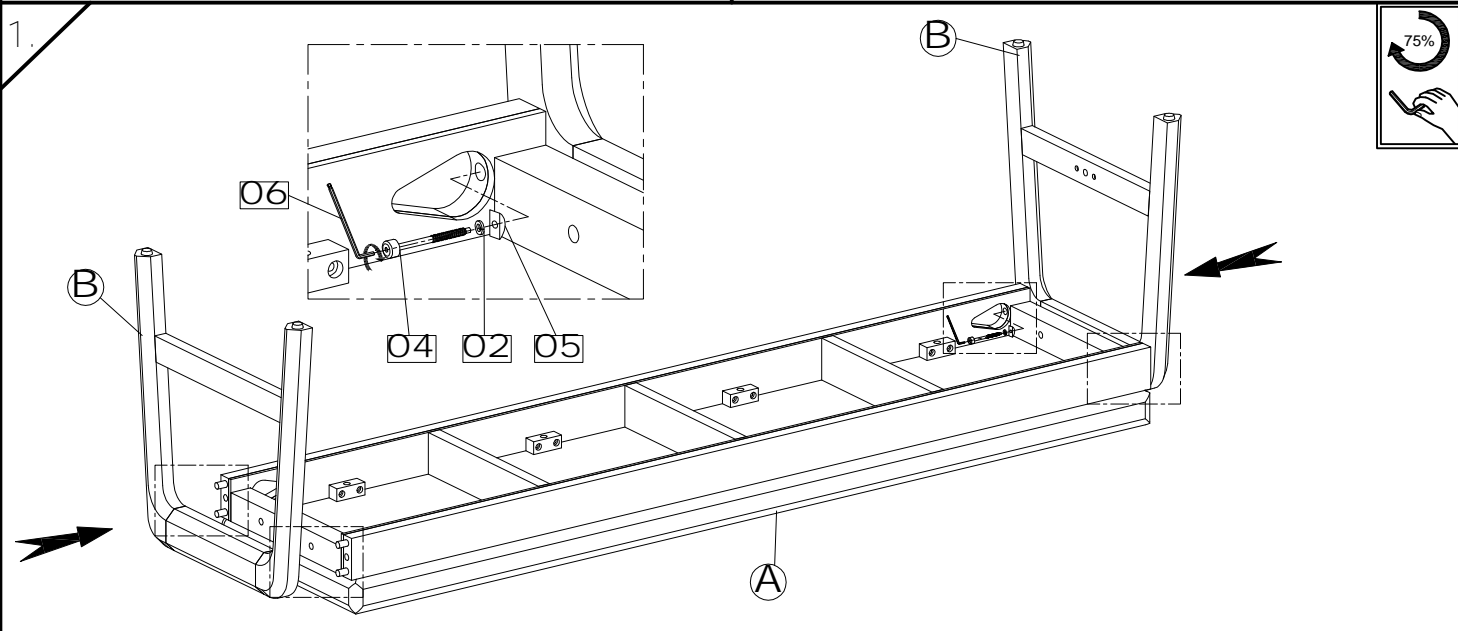
Code	Components	Qty
Ⓐ	SEAT FRAME	x01
Ⓑ	LEG	x02
Ⓒ	STRETCHER	x01

### Hardware Check List

code	description	qty
01	SHORT BOLT	x04
02	SMALL SPRING WASHER	x10
03	SMALL FLAT WASHER	x04
04	CAPE SCREW	x06
05	D-WASHER	x06
06	ALLEN KEY	x01



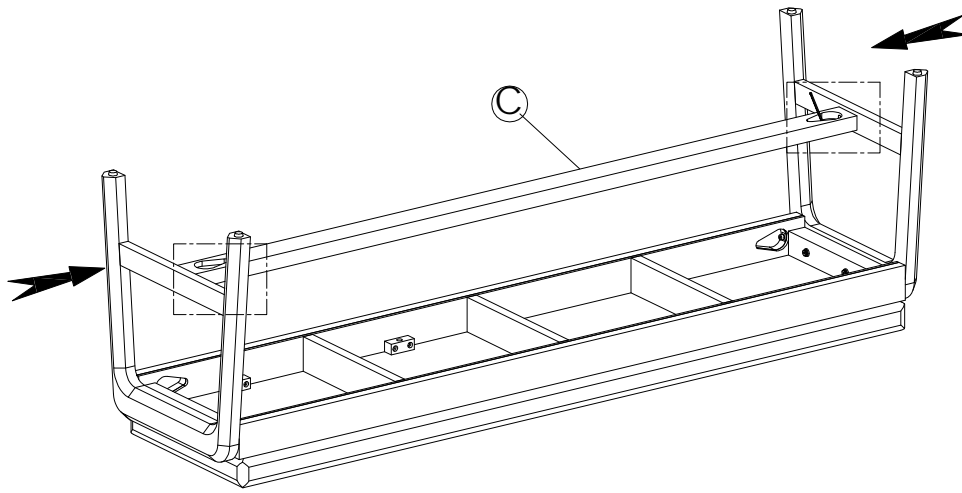
- PLEASE DO NOT DISCARD ANY OF THE PACKAGING UNTIL YOU HAVE CHECKED ALL THE PARTS AND THE PACKS OF HARDWARE.  
 - BEFORE YOU BEGIN TO ASSEMBLE YOUR NEW PIECE OF FURNITURE, PLEASE CHECK TO ENSURE THAT ALL PARTS HAVE BEEN SUPPLIED.  
 - FOLLOW INSTRUCTIONS CLOSELY AS DEVIATION FROM THEM MAY VOID YOUR WARRANTY AND PRESENT A POSSIBLE SAFETY RISK.  
 - IT IS RECOMMENDED THAT ASSEMBLY IS DONE ON A SOFT SURFACE LIKE CARPET TO AVOID ANY DAMAGE.  
 - PERIODICALLY CHECK AND RE-TIGHTEN ANY FASTENERS. WIPE DOWN ALL SURFACES WEEKLY WITH A CLEAN CLOTH. DO NOT CLEAN ANY SURFACES WITH HARSH ABRASIVES OR CHEMICALS.



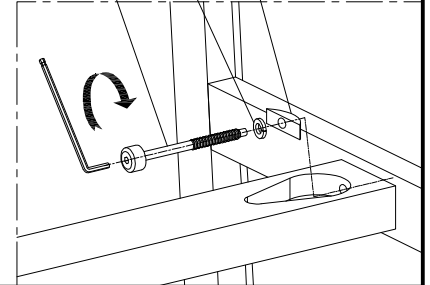
# ASSEMBLY INSTRUCTIONS

## ARIZONA DINING BENCH

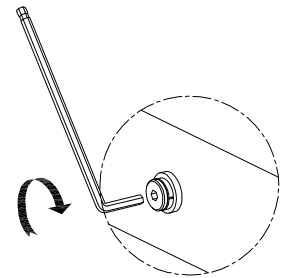
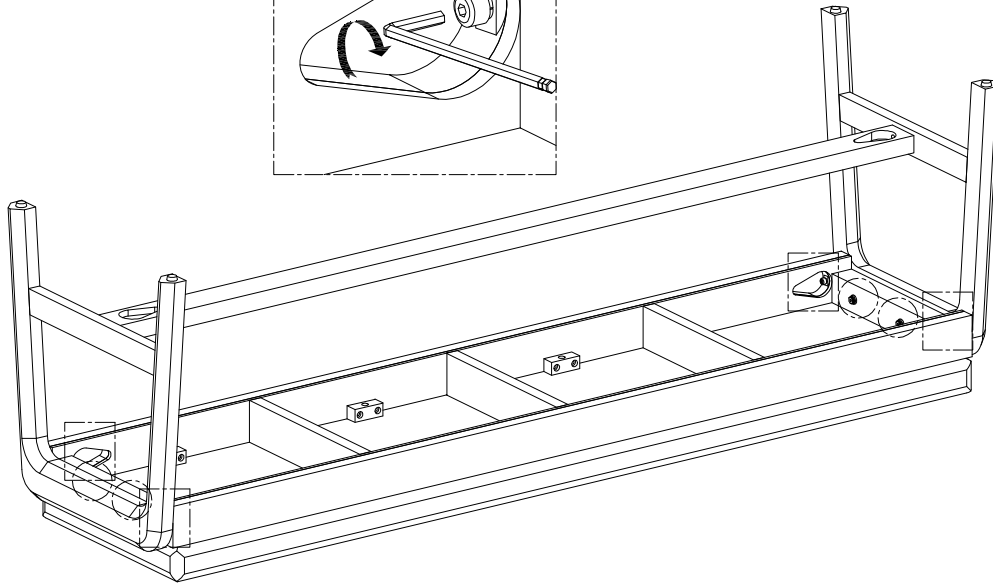
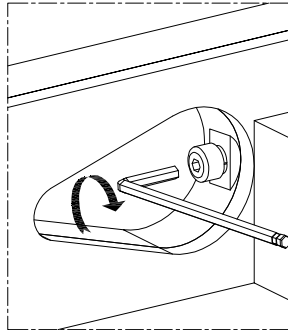
3.



04 02 05



4.



5.

