

ASSEMBLY INSTRUCTIONS:

7200-222 RECTANGULAR LEG TABLE

LEGACY CLASSIC

FURNITURE


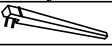

Thank you for purchasing this quality product. Before beginning, please check the packing material carefully for small parts which may have come loose inside the carton during shipping. Please do not discard any packing material until all parts have been located. If any parts are missing, please contact your dealer for prompt replacement.




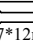
Caution: (1) These parts are cumbersome and heavy. This product can best be assembled with the assistance of one or more persons in order to prevent personal injury and to insure parts are not damaged during the assembly process. If dirty, clean finished parts with mild dishwashing liquid and water solution applied on damp cloth. Cloth should not be excessively wet. Polish finish with soft cloth and an industry recognized furniture polish.

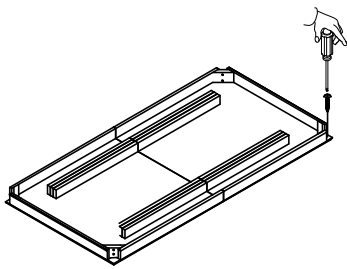
(2) To prevent damage to your floor or carpet, please check the bottom of each piece of furniture for stain residue and rough surfaces and also check for staples or nails left after removing the packaging material. The manufacturer will not be held responsible if preventative steps are not taken prior to installation.

(3) During normal use everyday, screws, bolts, nuts and wooden plugs may loosen up. They should be periodically inspected and re-tightened to prevent damage to the furniture and (or) personal property or cause injury. Always check to be sure all hardware on this list and the below mentioned components are attached to the furniture properly and kept tightened.

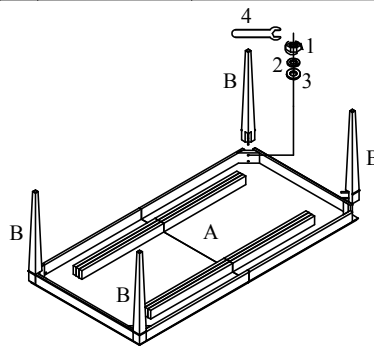
Parts & Hardware List:

PARTS LIST			Q'TY
A	TABLE TOP		1 PC
B	LEG		4 PCS
C	TABLE LEAF		2 PCS

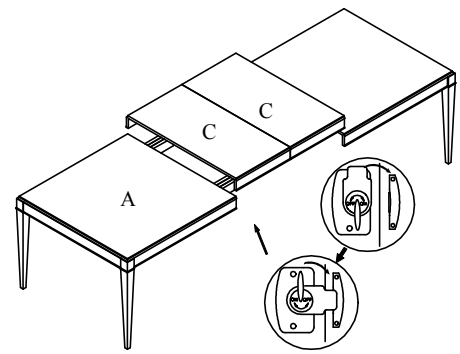
HARDWARE LIST				Q'TY	HARDWARE LIST				Q'TY
1	NUT		5/16"	8 PCS	3	FLAT WASHER		5/16"	8 PCS
2	LOCK WASHER		5/16"	8 PCS	4	WRENCH		87*12mm	1 PC



Step 2



Step 3



Step 4

Assembly Procedures:

Step 1: Lay out all parts and hardware. Make sure the quantity of each is correct and the feet are free of stain, staples, screws and nails.

Step 2: Remove the screws and the small wood block as shown.

Step 3: Assemble the leg (B) to table top (A) using hardware (1, 2, 3, 4) as shown.

Step 4: Turn the table to its upright position. Unlock the lock mechanism under the table top before pulling it apart and then carefully remove or insert the table leaves (C) as shown.

NOTE: If handled improperly, the act of installing and removing table leaves may damage the table.

Please use caution and delicate handling when installing and removing table leaves to prevent damaging the table top surface and edges. It is best two persons are involved when installing or removing table leaves.

Assembly is complete.