

# ASSEMBLY INSTRUCTIONS:

## N7500-622-T/B RECTANGLE TRESTLE TABLE

LEGACY CLASSIC  
FURNITURE

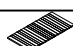





Thank you for purchasing this quality product. Before beginning, please check the packing material carefully for small parts which may have come loose inside the carton during shipping. Please do not discard any packing material until all parts have been located. If any parts are missing, please contact your dealer for prompt replacement.

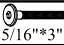

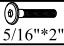

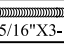
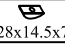
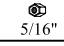
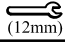
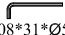
**Caution:** (1) These parts are cumbersome and heavy. This product can best be assembled with the assistance of one or more persons in order to prevent personal injury and to insure parts are not damaged during the assembly process. If dirty, clean finished parts with mild dishwashing liquid and water solution applied on damp cloth. Cloth should not be excessively wet. Polish finish with soft cloth and an industry recognized furniture polish.

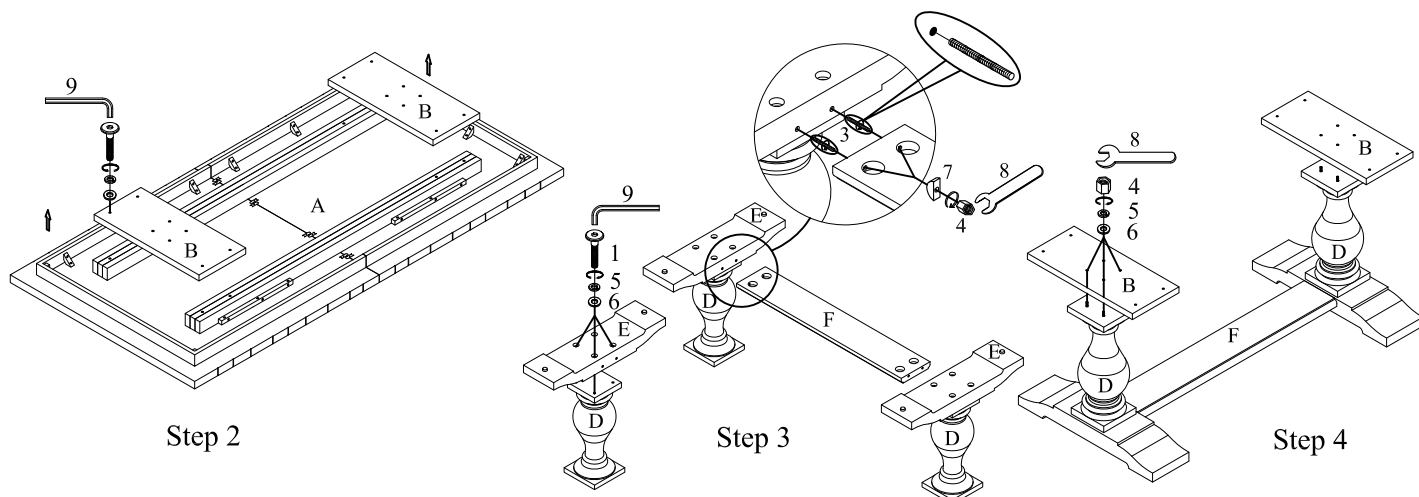
(2) To prevent damage to your floor or carpet, please check the bottom of each piece of furniture for stain residue and rough surfaces and also check for staples or nails left after removing the packaging material. The manufacturer will not be held responsible if preventative steps are not taken prior to installation.

(3) During normal use everyday, screws, bolts, nuts and wooden plugs may loosen up. They should be periodically inspected and re-tightened to prevent damage to the furniture and (or) personal property or cause injury. Always check to be sure all hardware on this list and the below mentioned components are attached to the furniture properly and kept tightened.

### Parts & Hardware List:

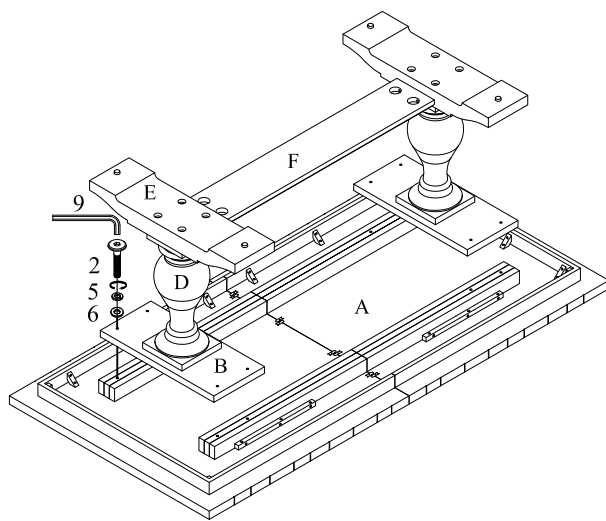
PARTS LIST			Q'TY	PARTS LIST			Q'TY
A	TABLE TOP		1 PC	D	POST		2 PCS
B	MOUNTING PLATE		2 PCS	E	BASE		1 SET
C	TABLE LEAF		2 PCS	F	STRETCHER		1 PC

HARDWARE LIST			Q'TY	HARDWARE LIST			Q'TY
1	BOLT	 5/16"×3"	8 PCS	5	LOCK WASHER	 5/16"	24 PCS
2	BOLT	 5/16"×2"	8 PCS	6	FLAT WASHER	 5/16"×19mm	24 PCS
3	THREADED BOLT	 Ø5/16"×3-1/2"	4 PCS	7	CURVED WASHER	 Ø28x14.5x7.5	4 PCS
4	HEX NUT	 5/16"	12 PCS	8	WRENCH	 (12mm)	1 PC
				9	HEX WRENCH	 108×31×Ø5mm	1 PC

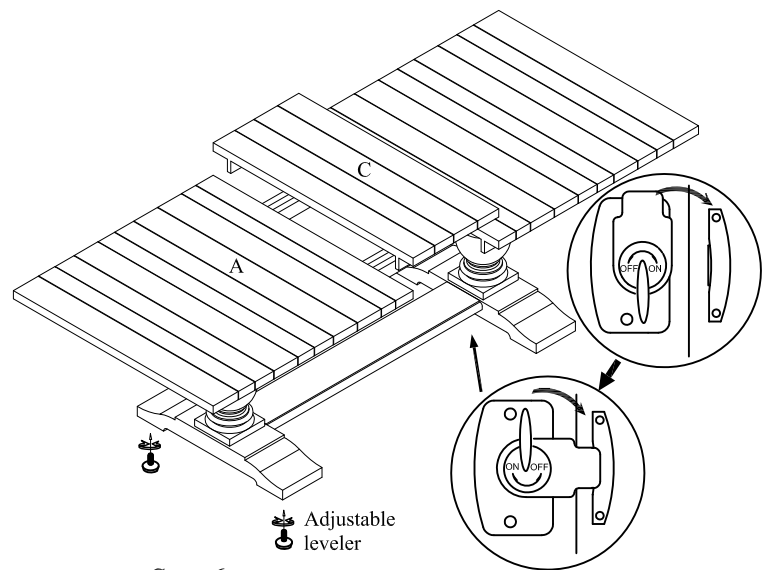


# ASSEMBLY INSTRUCTIONS: N7500-622-T/B RECTANGLE TRESTLE TABLE

LEGACY CLASSIC  
FURNITURE



Step 5



Step 6

## **Assembly Procedures:**

- Step 1: Lay out all parts and hardware. Make sure the quantity of each is correct and the feet are free of stain, staples, screws and nails.
- Step 2: Remove the mounting plate (B) from table top (A) using wrench (9) as shown. Keep the bolts for Step 5.
- Step 3: Assemble the base (E) to the post (D) and stretcher (F) using hardware (1, 3, 4, 5, 6, 7, 8, 9) as shown.
- Step 4: Turn the base upright. Assemble the mounting plate (B) to the post (D) using hardware (4, 5, 6, 8) as shown.
- Step 5: Place the entire base on the table top (A) and assemble using hardware from Step 2 as shown.
- Step 6: Turn the table to its upright position. Unlock the lock mechanism under the table top before pulling it apart and then carefully remove or insert the table leaf (C) as shown.  
Use the adjustable leveler as necessary.
- NOTE: If handled improperly, the act of installing and removing table leaf may damage the table. Please use caution and delicate handling when installing and removing table leaf to prevent damaging the table top surface and edges.  
It is best two persons are involved when installing or removing table leaf.  
Assembly is complete.