

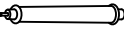

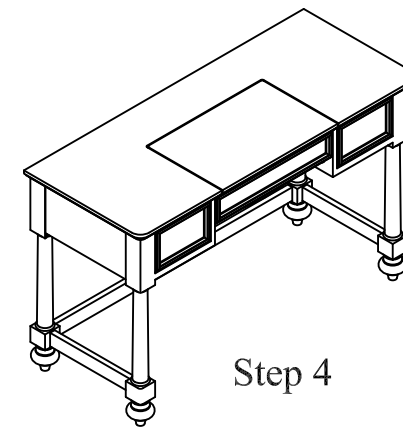
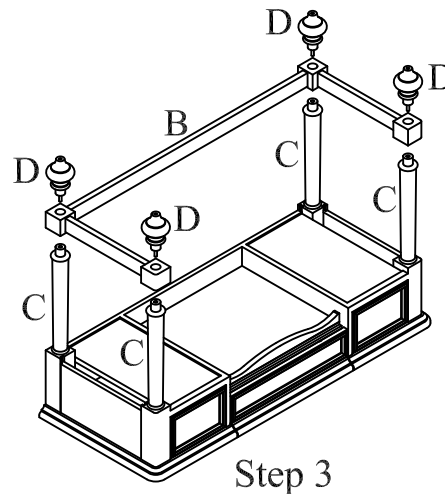
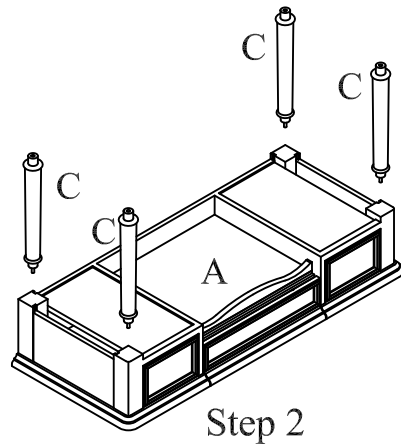


Assembly Instructions:

2830-6100 Writing Desk

Parts List:

PARTS LIST			Q'TY
A	DESK TOP		1 PC
B	BOTTOM STRETCHER		1 PC
C	LEG		4 PCS
D	BUN FOOT		4 PCS



Assembly Procedures:

Step 1: Lay out all parts. Make sure the quantity correct.

Step 2: Place the desk top (A) face down on a clean soft flat surface such as a blanket and ensure the surface is clear of any objects that could scratch or damage the top. Assemble the legs (C) to desk top (A) as shown.

Step 3: Assemble the stretcher (B) to legs (C), then assemble the bun feet (D) to the bottom stretcher (B) as shown.

Step 4: Turn the desk to its upright position and install the drawers as shown.

Assembly is now complete.