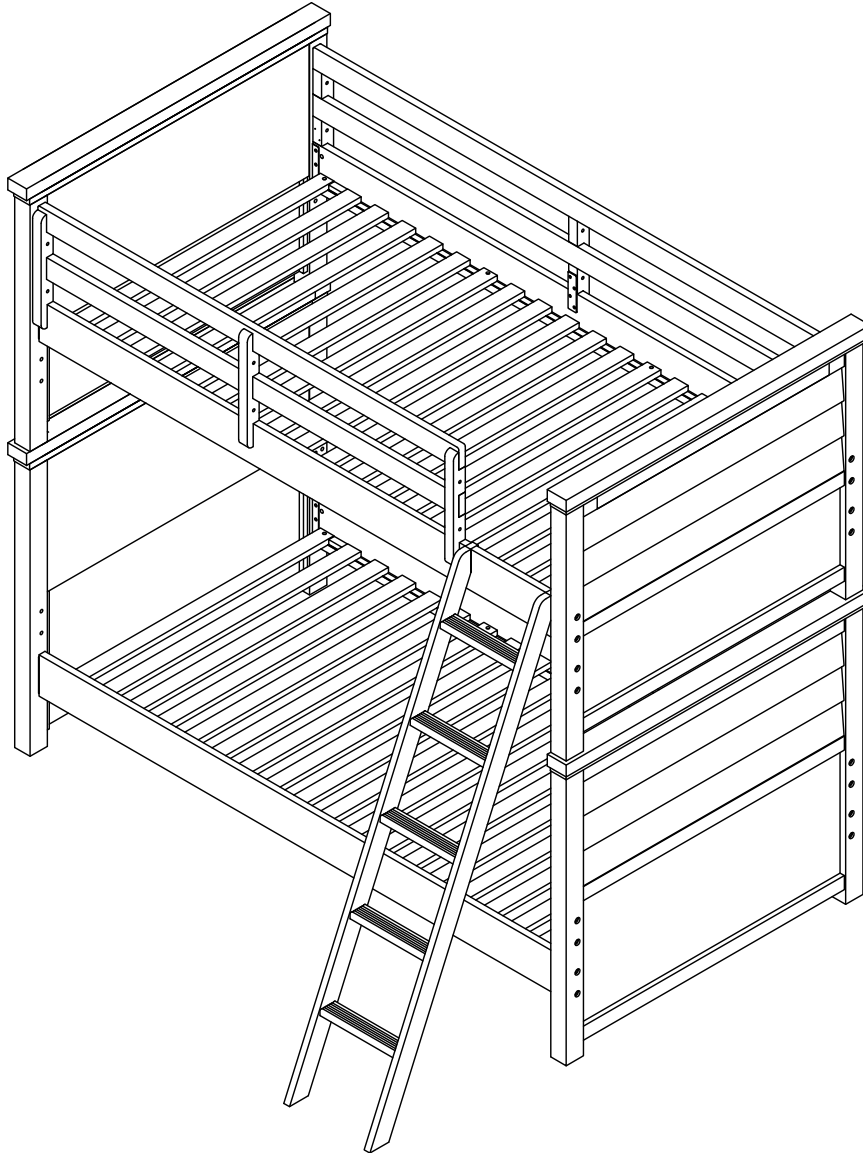


ASSEMBLY INSTRUCTIONS

Page 1



N8830-8110/8112/8120/8130/8150
BUNK BED 3/3 & 4/6

Congratulations on your purchase of a Legacy Classic Kids Bed. Every effort has been made to ensure your furniture is of the finest quality. If you find that your furniture has a missing or damaged part, please contact your local Legacy Kids retailer. Please read and follow these instructions carefully.

LEGACY CLASSIC
FURNITURE

Model No.
N8830-8110/8120/8130
N8830-8112/8120/8150

**READ THESE INSTRUCTIONS CAREFULLY
BEFORE ATTEMPTING TO ASSEMBLE THIS BED.**

SAFETY WARNINGS AND GENERAL NOTES:

- Follow the warning information on the bunk bed end structure and on the carton. Do not remove the warning label from the bed.
- Always use the recommended size mattress and mattress supports to help prevent the likelihood of entrapment or falls.
- A slat roll must be used to support the mattresses.
- The top surface of the mattress must be at least 5" below the upper edge of the guardrails.
- Do not allow children under 6 years of age to use the upper bunk.
- Periodically check and ensure the guardrail, ladder and other components are in their proper position, free from damage, and all connectors are tight.
- Prohibit horseplay on or under the bed. Always prohibit jumping on the bed.
- Prohibit more than one person on upper bunk.
- Always use the ladder for entering and leaving the upper bunk.
- Do not use substitute parts. Contact your retailer for replacement parts.
- Use of a night-light may provide added safety precaution for a child using the upper bunk.
- Always use guardrails on both sides of the upper bunk.
- If the bunk bed will be placed next to a wall, the guardrail that runs the full length of the bed should be placed against the wall to prevent entrapment between the bed and the wall.
- The use of water or sleep flotation mattresses is prohibited.
- Keep these instructions for future reference.
- We recommend assembling your bunk bed on the shipping carton to protect your floor or carpet. Be certain all staples are out of the box before beginning assembly on the shipping carton.
- **STRANGULATION HAZARD** -- Never attach or hang items to any part of the bunk bed that are not designed for use with the bed; for example, but not limited to, hooks, belts, and jump ropes.

Caution: (1) These parts are cumbersome and heavy. This product can best be assembled with the assistance of one or more persons in order to prevent personal injury and to insure parts are not damaged during the assembly process. If dirty, clean finished parts with mild dishwashing liquid and water solution applied on damp cloth. Cloth should not be excessively wet. Polish finish with soft cloth and an industry recognized furniture polish.

(2) To prevent damage to your floor or carpet, please check the bottom of each piece of furniture for stain residue and rough surfaces and also check for staples or nails left after removing the packaging material. The manufacturer will not be held responsible if preventative steps are not taken prior to installation.

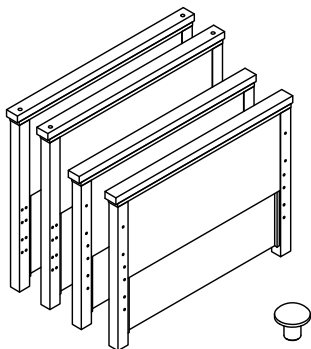
(3) During normal use everyday, screws, bolts, nuts and wooden plugs may loosen up. They should be periodically inspected and re-tightened to prevent damage to the furniture and (or) personal property or cause injury. Always check to be sure all hardware on this list and the below mentioned components are attached to the furniture properly and kept tightened.

NOTE: Lay out all parts and hardware on a clean protective surface to protect the furniture and floor during assembly. Make sure the quantity of each is correct and the feet are free of stain, staples, screws and nails.

Replacement parts, including additional guardrails, may be obtained from our (Legacy Classic Furniture) retailer.

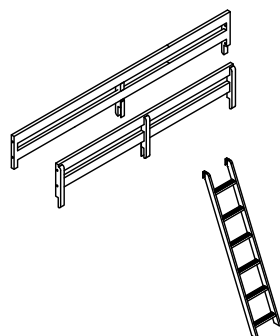
Identifying the Parts. Use the illustrations below to correctly identify each of the parts of your bed.

Carton #1 (8130 & 8150)



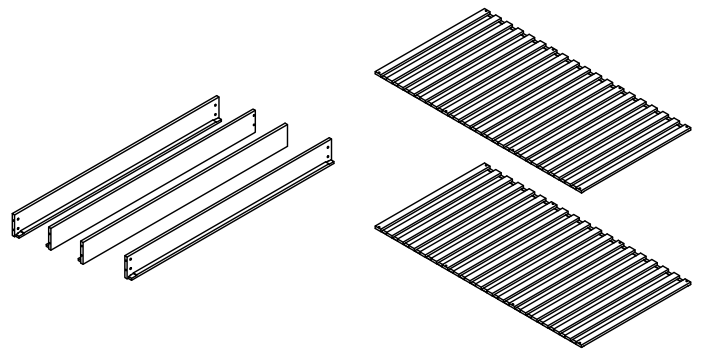
Wood Hole cover (4 PCS)
BED ENDS (4 PCS)

Carton #2 (8120)



LADDER (1 PC)
GUARD RAIL (2 PCS)

Carton #3 (8110 & 8112 & 8111)




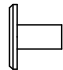
SIDE RAIL (4 PCS) SLAT ROLLS (2 SETS)


Identifying the Hardware

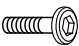
Identify the hardware using the illustrations below

Note: The hardware pack is attached in the bed end carton #1 (8130)

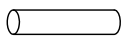
ID# A	 1/4"*10*13mm Barrel Nut	Qty 16
-----------------	---	------------------

ID# D	 Hole Cover	Qty 16
-----------------	---	------------------

ID# B	 1/4"*3-3/4" Long Bolt	Qty 16
-----------------	---	------------------

ID# E	 1/4"*1-3/4" Bolt	Qty 16
-----------------	---	------------------


ID# C	 4mm Hex Wrench	Qty 1
-----------------	---	-----------------

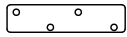
ID# G	 18mm*113mm Dia Pin	Qty 4
-----------------	---	-----------------

Note: The hardware pack is attached in the side rails and slat rolls carton #3 (8110 & 8112 & 8111)


ID# F	 #8*1" Wood Screw	Qty 16
-----------------	--	------------------

Note: The hardware pack is attached in the ladder and guard rails carton #2 (8120)

ID# H	 1/4"*2" Connecting Bolt	Qty 6
-----------------	---	-----------------

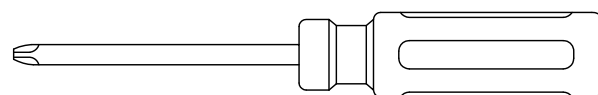
ID# J	 Mending Plate	Qty 1
-----------------	--	-----------------

ID# I	 #8*3/4" Wood Screw	Qty 8
-----------------	--	-----------------

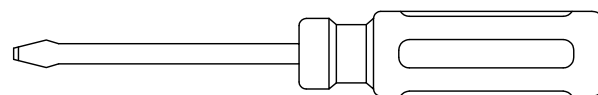
ID# C	 4mm Hex Wrench	Qty 1
-----------------	---	-----------------

- Power tools are not recommended for assembling your furniture.
- Give yourself plenty of room to work.
- Due to the size of this bed, it must be assembled within the space it will occupy.
- The assembly will require at least two people to complete.
- Make sure all fasteners are tight.
- Above all, take your time and read the instructions carefully.

Tools Required



Phillips Head Screwdriver



Standard Head Screwdriver

Step 1

1. Select the bed rails as shown.
2. Insert the barrel nuts (A) into the holes in each bed rails as shown in (Figure 1). Make sure the slot on the top of the barrel nut is aligned with the hole in the end of bed rails as shown in (Figure 2). Once inserted, use a standard screwdriver to align the barrel nut. This will ensure proper alignment with the bolts later.

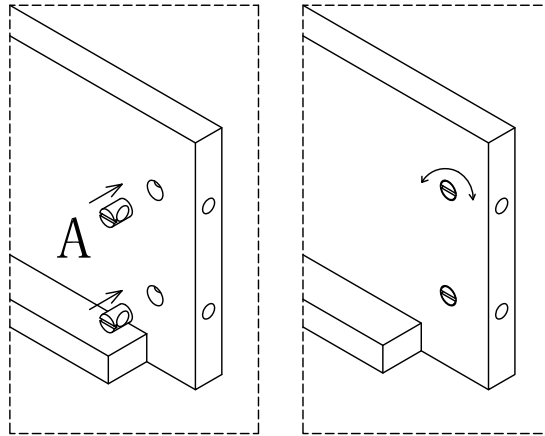
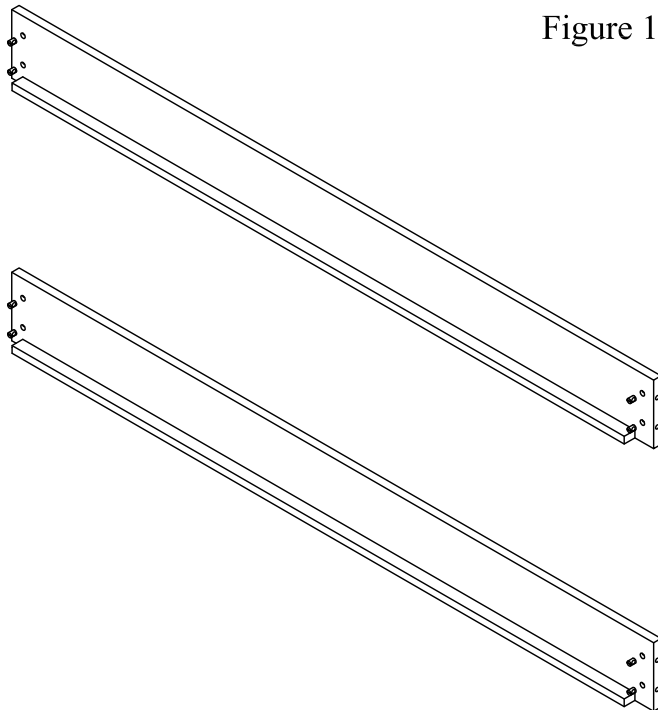



Figure 1 Figure 2



Hardware Used In This Step

ID# A	 Barrel Nut	Qty 16
----------	---	-----------

**Step
2**

1. Select both sets of bed ends and bed rails.
2. Attach the bed rails to the bed ends as shown using the 1/4*3-3/4" long bolts (B). Use the 4mm hex wrench (C) to tighten the long bolts (B).
3. Cover the two extra holes on the posts use bolt (E) and hole cover (D).
4. Please note the barrel nuts may have to be turned slightly to start the bolts threading.

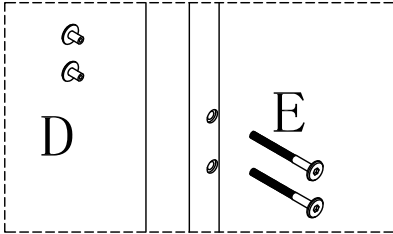


Figure 4

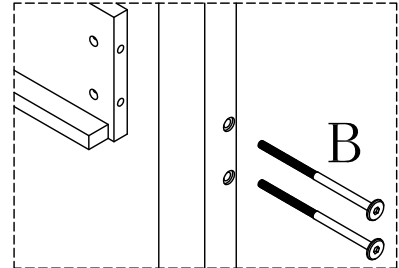
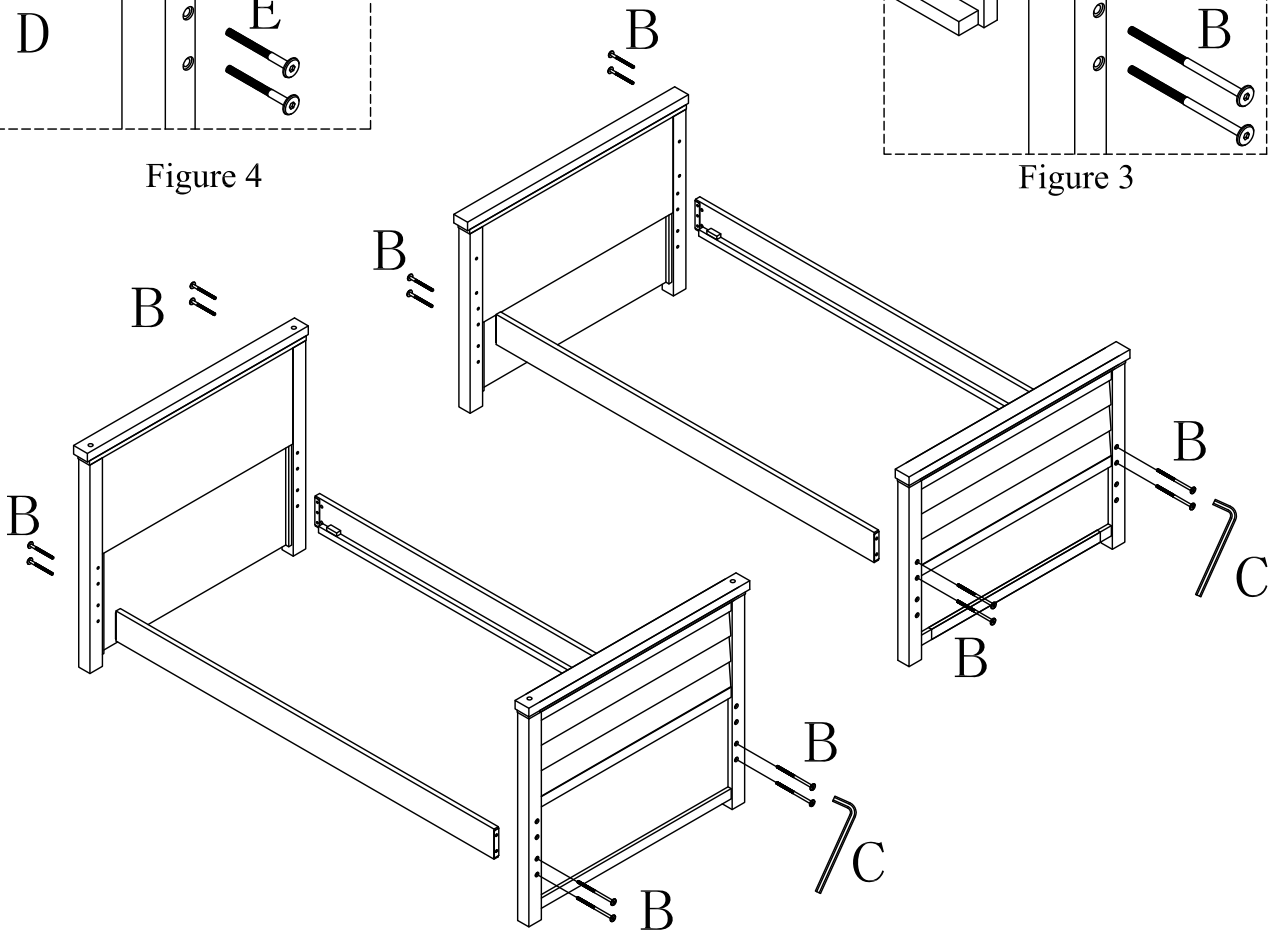




Figure 3

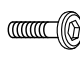



***Note:Upper bed assembly-Always use upper set of holes. Lower bed assembly-Use lower set of holes for normal use. Use upper set of holes for use with optional under-bed unit.**

Hardware Used In This Step

ID# B	 1/4*3-3/4" Long Bolt	Qty 16
----------	---	-----------

ID# C	 4mm Hex Wrench	Qty 1
----------	--	----------

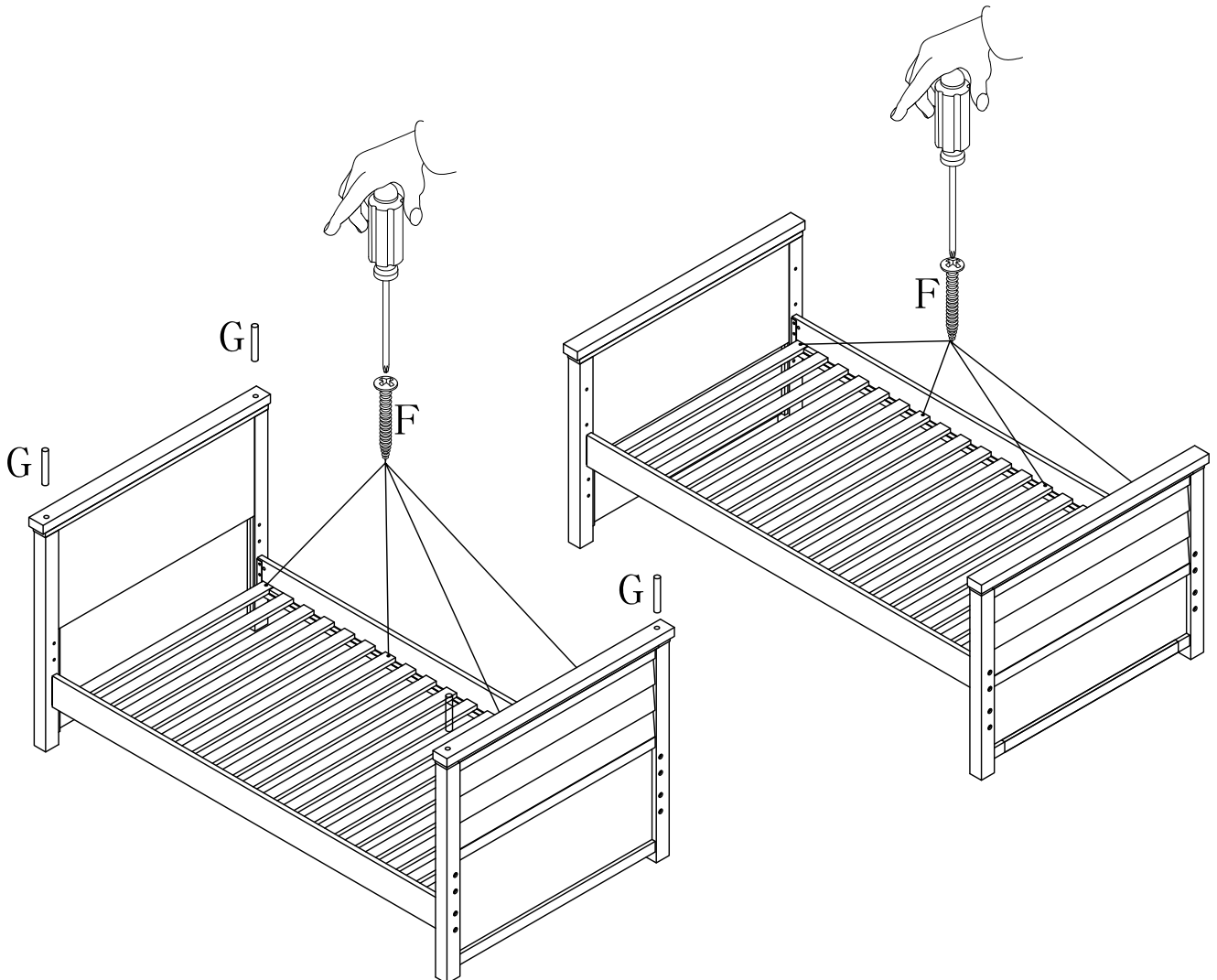
ID# E	 1/4*1-1/2" Bolt	Qty 16
----------	--	-----------

ID# D	 Hole Cover	Qty 16
----------	--	-----------

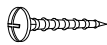
Step 3


Note: Bunk or loft beds assembled without Legacy Classic Slat Rolls are not recommended and many affect the safety of the bed. Call your retailer if you have questions or concerns.

1. Select the bed rails and the slat rolls.
2. Lay the slat rolls onto the side rails. Spread the slat rolls so it extends fully.
3. Secure the slat rolls in place by threading a 1" screw (F) through the pre-drilled holes near the ends of the slat rolls and into the cleats on the side rails as shown. Repeat on all 4 side rails.
4. Insert the 4 pins (G) into the bed post holes shown in the top edges of the lower bed as shown.
5. With the help of a friend, lift the upper bed assembly and place it on top of the lower bed. Make sure all 4 upper posts drop down onto the pins completely.



Hardware Used In This Step

ID# F	 #8x1" Wood Screw	Qty 16
----------	---	-----------

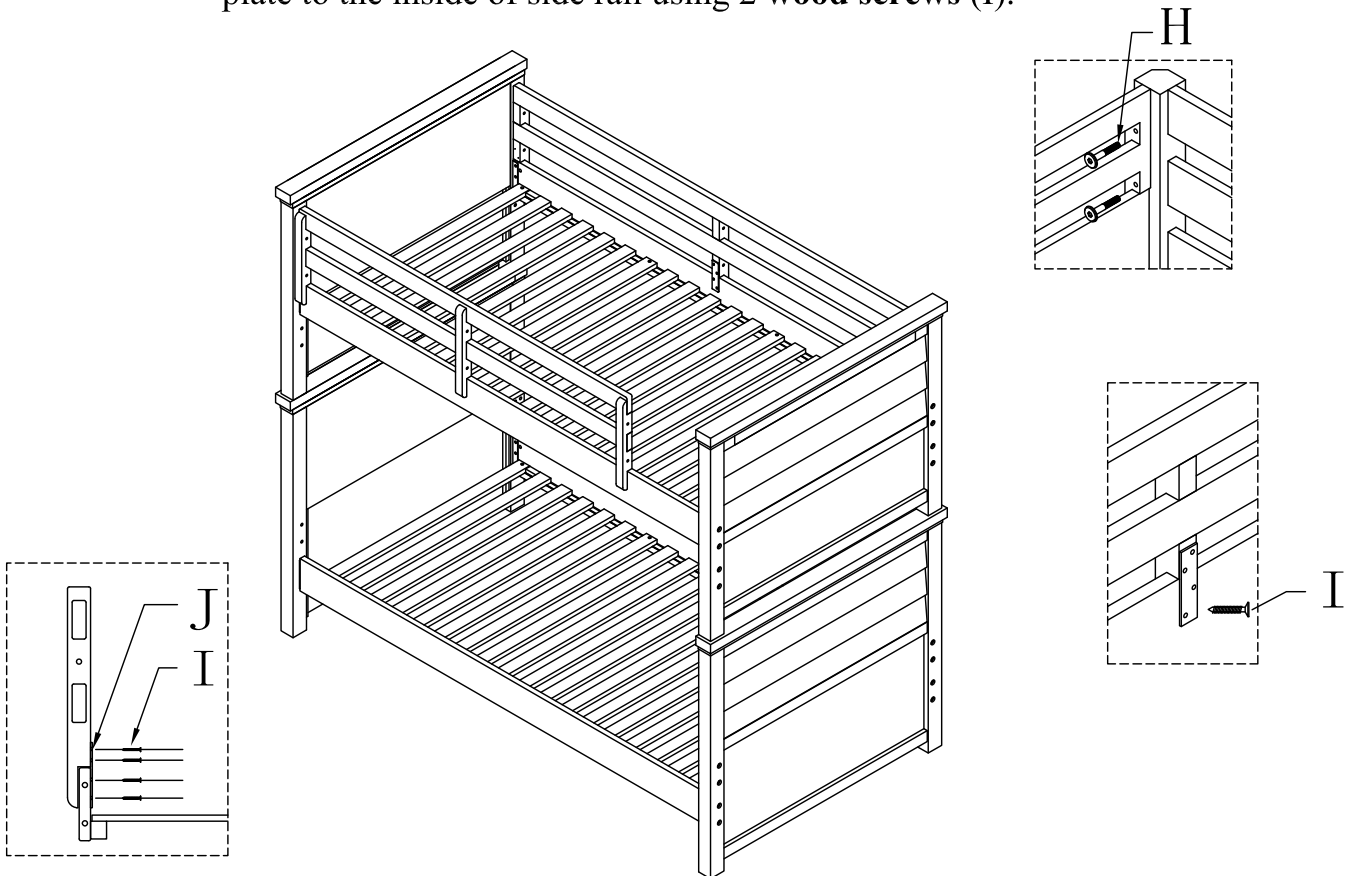
ID# G	 18mm*113mm Dia Pin	Qty 4
----------	---	----------

**Step
4**


1. Select the long guard rail and position as shown by sliding the notched ends over the side rail. Secure in place using **connecting bolts (H)** to attach the ends of the guard rail to bed ends. Complete the attachment by attaching the **mending plate (J)** to the inside of the side rail as shown, attach with 2 **wood screws (I)**.

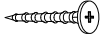
2. Select the **short guard rail** and position on opposite side rail. One end of the short guard rail should attach to a bed end leaving an opening on the other end for the ladder.

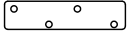
Note: Position of ladder should be decided prior to attaching **short guard rail**. Secure the end of the **short guard rail** to the desired bed end using 2" **connecting bolts (H)**. Attach the **mending plate (J)** to the inside of the end stile on the short guard rail using 2 **wood screws (I)** into the pre-drilled holes. Attach the mending plate to the inside of side rail using 2 **wood screws (I)**.



Hardware Used In This Step

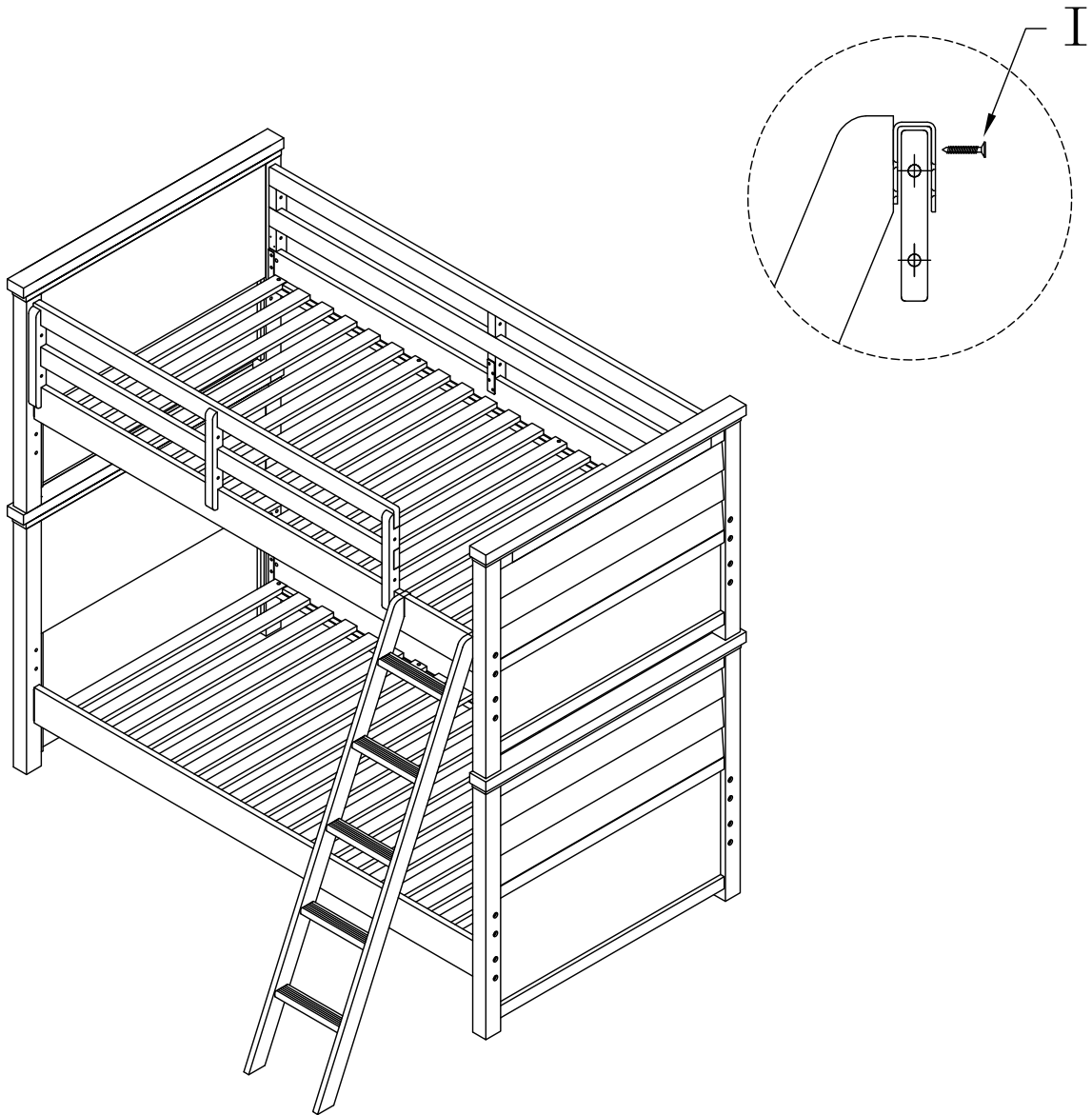
ID# H	 1/4"*2" Connecting Bolt	Qty 6
-----------------	--	-----------------

ID# I	 #8*3/4" Wood Screw	Qty 8
-----------------	---	-----------------

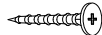
ID# J	 Mending Plate	Qty 1
-----------------	---	-----------------

**Step
5**

1. Put the ladder in place by hooking it over the top edge of the bed rail in the location as shown. Secure the ladder in place by placing a 3/4" wood screw (I) through each ladder hook and into the bed rail. Be sure to note the bedding specifications in the back of these instructions. In order to avoid the possibility of a fall or entrapment, these specifications must be strictly adhered to.
2. Your bed is now complete. Please add correct size mattresses and use safely.

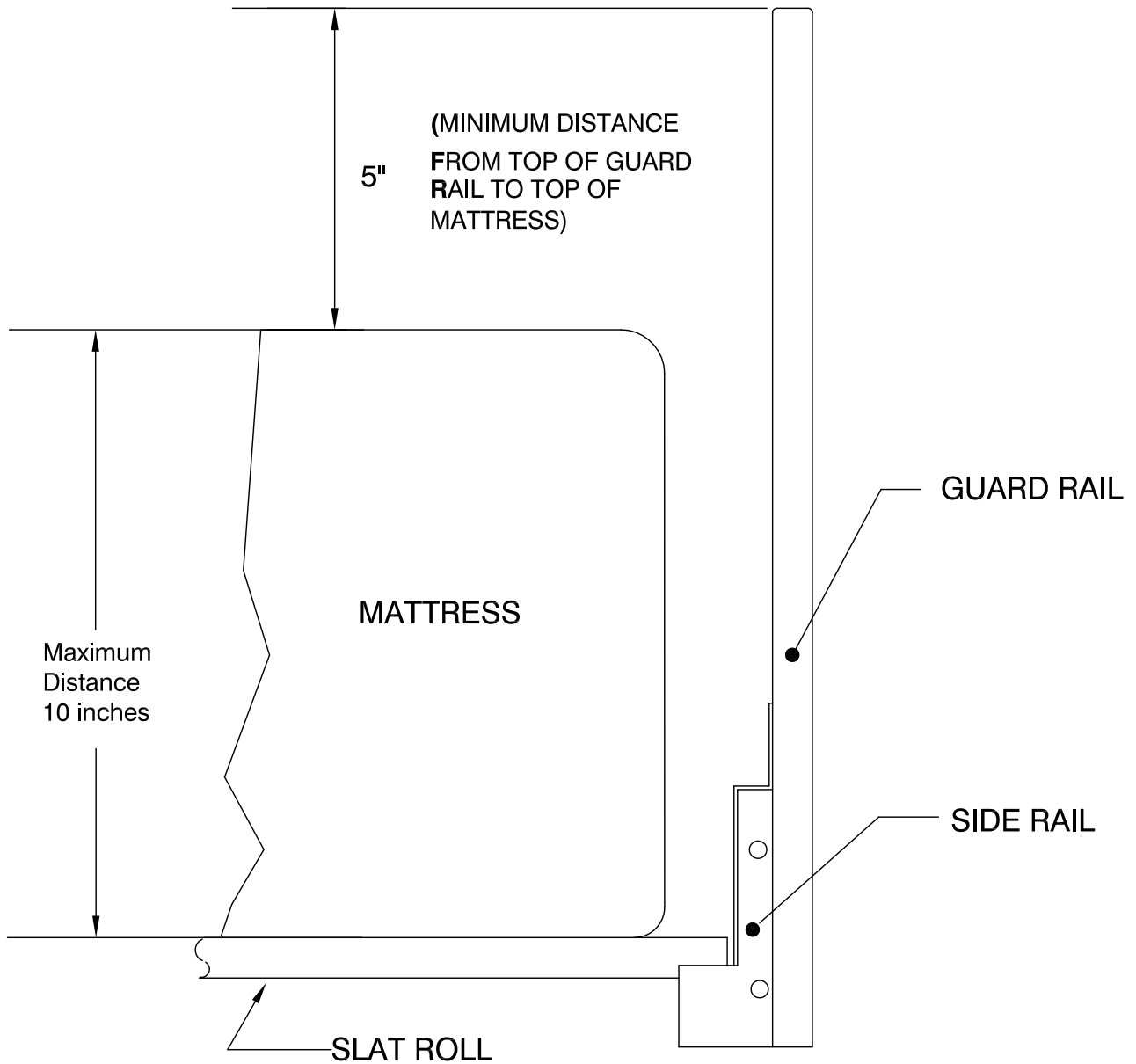


Hardware Used In This Step

ID# I	 #8*3/4" Wood Screw	Qty 2
----------	---	----------

BEDDING SPECIFICATION

BUNK MATTRESS DIAGRAM



MATTRESS SIZES FOR UPPER AND LOWER BUNK

Minimum Foundation & Mattress Size:
(37-1/2" x 74" & 53" x 74")

Maximum Foundation & Mattress
Thickness Combined: (10")