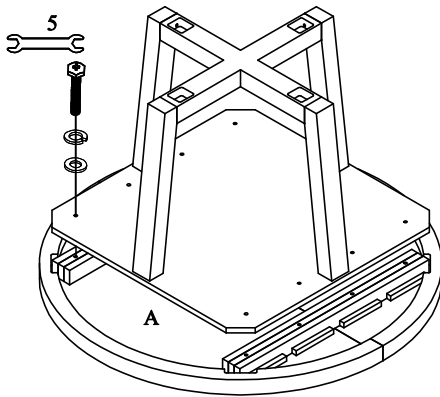
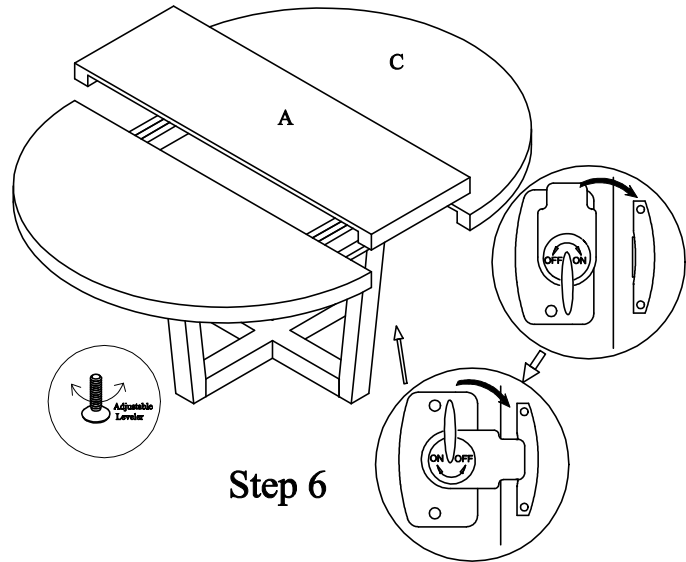


# ASSEMBLY INSTRUCTIONS: 8662-521 OVAL PEDESTAL TABLE

# LEGACY CLASSIC FURNITURE



Step 5



Step 6

## **Assembly Procedures:**

- Step 1:** Lay out all parts and hardware. Make sure the quantity of each is correct and the feet are free of stain, staples, screws and nails.
- Step 2:** Remove the mounting plate (B) and the leaf (C) from the table top (A) using wrench (5) as shown. Fully close the table top with the table leaf removed and lock the table top together. Keep the bolts for Step 5.
- Step 3:** Assemble the bottom support (D) to the legs (E) using hardware (1, 2, 4, 3, 5) as shown.
- Step 4:** Assemble the mounting plate (B) to the legs (E) using hardware (1, 2, 4, 5) as shown.
- Step 5:** Place the entire base on the table top (A) and assemble using hardware from Step 2 as shown.
- Step 6:** Turn the table to its upright position. Unlock the lock mechanism under the table top before pulling it apart and then carefully insert the table leaf (C) as shown. Use the adjustable leveler as necessary.
- NOTE:** If handled improperly, the act of installing and removing table leaf may damage the table. Please use caution and delicate handling when installing and removing table leaf to prevent damaging the table top surface and edges. It is best two persons are involved when installing or removing table leaf.
- Assembly is complete.