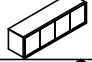

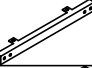







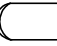
ASSEMBLY INSTRUCTIONS:

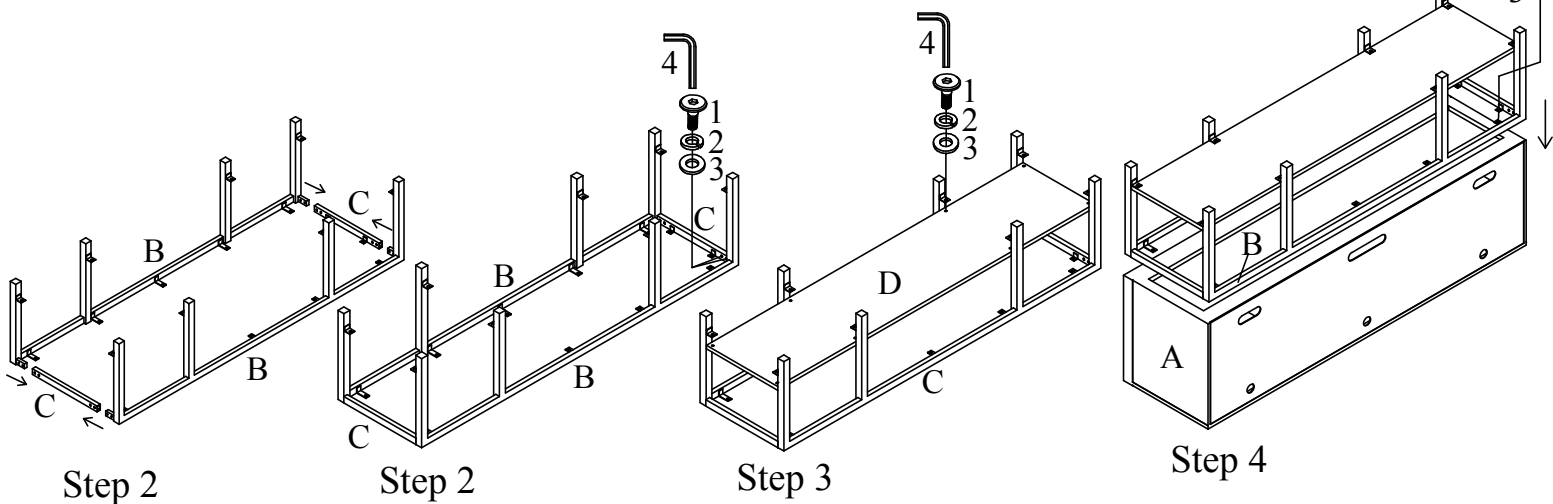
3600-180 SIDEBOARD

Thank you for purchasing this quality product. Before beginning, please check the packing material carefully for small parts which may have come loose inside the carton during shipping. Please do not discard any packing material until all parts have been located. If any parts are missing, please contact your dealer for prompt replacement.

Parts & Hardware List:

PARTS LIST			Q'TY
A	SIDEBOARD		1 PC
B	METAL FRAME		2 PCS
C	METAL STRETCHER		2 PCS
D	BASE PANEL		1 PC

HARDWARE LIST			Q'TY
1	BOLT	 1/4"*3/4"	30 PCS
2	SPRING WASHER	 1/4"	30 PCS
3	FLAT WASHER	 1/4"*19mm	30 PCS
4	HEX WRENCH	 70*30*4mm	1 PC
5	ANTI-TIP KIT		1 SET



Assembly Procedures:

Step 1: Lay out all parts and hardware. Make sure the quantity of each is correct and the feet are free of stain, staples, screws and nails.

Step 2: Place the metal frames (B) and metal stretchers (C) as shown.

Insert the metal frames (B) to the metal stretchers (C) and assemble with screws provided.

Step 3: Assemble the base panel (D) to the frame (B) as shown.

Step 4: Place the sideboard top (A) face down on a clean soft flat surface such as a blanket and ensure the surface is clear of any objects that could scratch or damage the top.

Assemble the metal frame (B) with the base panel to the sideboard (A) as shown.

Use adjustable levelers as necessary.

Caution: Over-tightening screws or bolts may result in damage. It is suggested that at least two people work together for this assembly process to avoid injury. Following assembly, the furniture should be cleaned with a quality, non-silicone furniture polish on a clean, soft cloth.