

ASSEMBLY INSTRUCTIONS

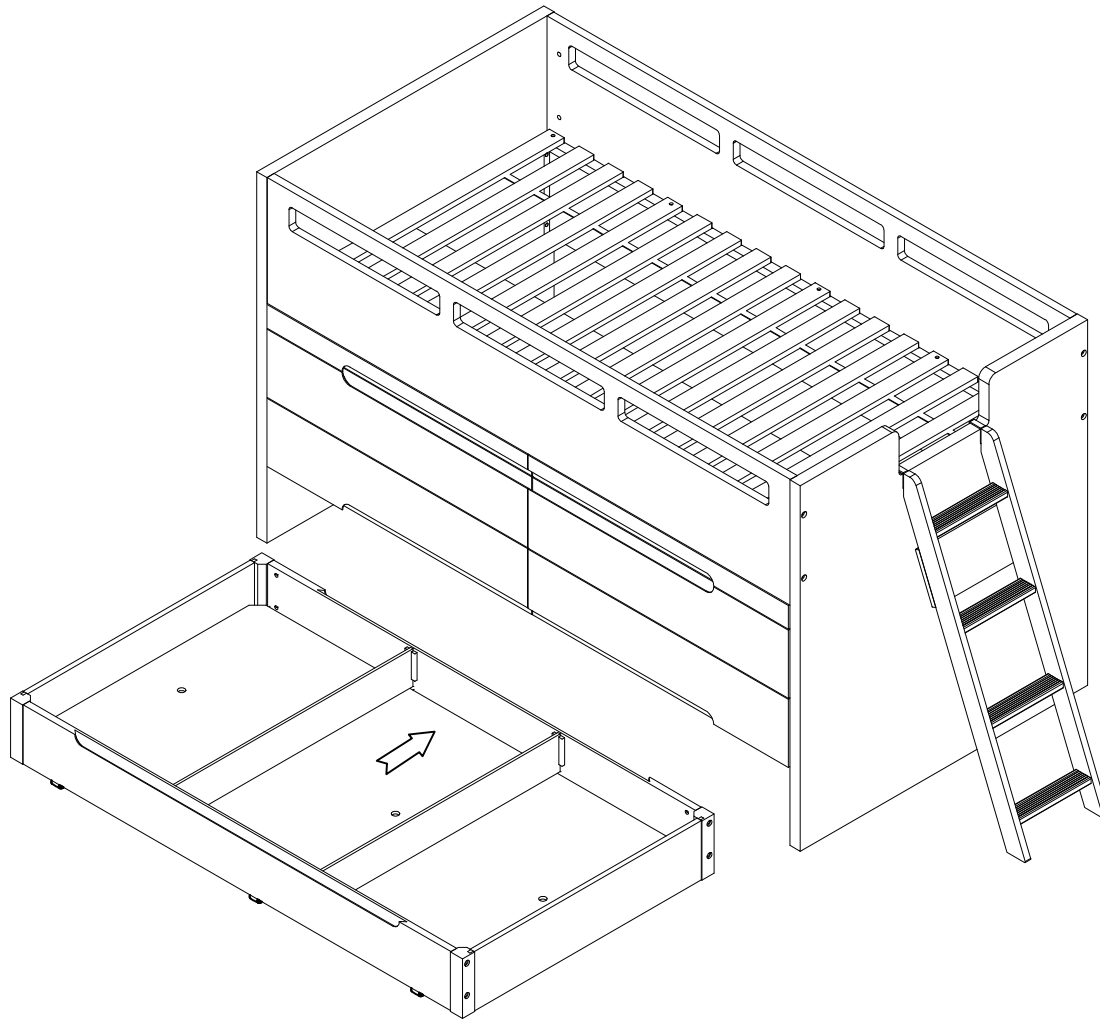
LEGACY
CLASSIC | MODERN

CAPTAIN BED

2800-5303 SIDE FRAME WITH SLATS

2800-5313 DRAWER FRAME WITH BACK PANEL

2800-5323 SIDE RAILS



2800-9500 TRUNDLE STORAGE DRAWER

Congratulations on your purchase of a Legacy Classic Kids Bed. Every effort has been made to ensure your furniture is of the finest quality. If you find that your furniture has a missing or damaged part, please contact your local Legacy Classic retailer. Please read and follow these instructions carefully.

READ THESE INSTRUCTIONS CAREFULLY BEFORE ATTEMPTING TO ASSEMBLE THIS BED.

SAFETY WARNINGS AND GENERAL NOTES:

- . Follow the warning information on the bunk bed end structure and on the carton. Do not remove the warning lable from the bed.
- . Always use the recommended size mattress and mattress supports to help prevent the likelihood of entrapment or falls.
- . A slat roll must be used to support the mattresses.
- . The top surface of the mattress must be at least 5" below the upper edge of the guardrails.
- . Do not allow children under 6 years of age to use the upper bunk.
- . Periodically check and ensure the guardrail, ladder and other components are in their proper position, free from damage, and all connectors are tight.
- . Prohibit horseplay on or under the bed. Always prohibit jumping on the bed.
- . Prohibit more than one person on upper bunk.
- . Always use the ladder for entering and leaving the upper bunk.
- . Do not use substitute parts. Contact your retailer for replacement parts.
- . Use of a night-light may provide added safety precaution for a child using the upper bunk.
- . Always use guardrails on both sides of the upper bunk.
- . If the bunk bed will be placed next to a wall, the guardrail that runs the full length of the bed should be placed against the wall to prevent entrapment between the bed and the wall.
- . The use of water or sleep flotation mattresses is prohibited.
- . Keep these instructions for future reference.
- . We recommend assembling your bunk bed on the shipping carton to protect your floor or carpet. Be certain all staples are out of the box before beginning assembly on the shipping carton.
- . STRANGULATION HAZARD -- Never attach or hang items to any part of the bunk bed that are not designed for use with the bed; for example, but not limited to, hooks, belts, and jump ropes.

Caution: (1) These parts are cumbersome and heavy. This product can best be assembled with the assistance of one or more persons in order to prevent personal injury and to insure parts are not damaged during the assembly process. If dirty, clean finished parts with mild dishwashing liquid and water solution applied on damp cloth. Cloth should not be excessively wet. Polish finish with soft cloth and an industry recognized furniture polish.

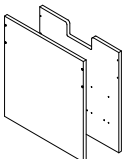
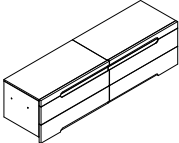
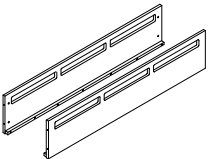

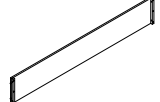
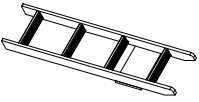
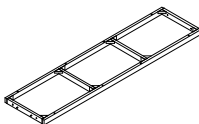
(2) To prevent damage to your floor or carpet, please check the bottom of each piece of furniture for stain residue and rough surfaces and also check for staples or nails left after removing the packaging material . The manufacturer will not be held responsible if preventative steps are not taken prior to installation.

(3) During normal use everyday, screws , bolts, nuts and wooden plugs may loosen up. They should be periodically inspected and re-tightened to prevent damage to the furniture and (or) personal property or cause injury. Always check to be sure all hardware on this list and the below mentioned components are attached to the furniture properly and kept tightened.

NOTE : Lay out all parts and hardware on a clean protective surface to protect the furniture and floor during assembly. Make sure the quantity of each is correct and the feet are free of stain, staples, screws and nails.

Replacement parts, including additional guardrails, may be obtained from our (Legacy Classic Furniture) retailer.


Identifying the Parts. Use the illustrations below to correctly identify each of the parts of your bed.


Carton #1 (5303)		Carton #2 (5313)		Carton #3 (5323)	
A	Side Frame (L&R) (2pcs) 	D	Storage Drawer (1pc) 	G	Side Rail (2pcs) 
B	Slat Roll (1set) 	E	Back Panel (1pc) 		
C	Ladder (1set) 	F	Bottom Middle Frame (1pc) 		


Identifying the Hardware


Identify the hardware using the illustrations below


Note: The hardware pack is attached on the bottom of bed end carton #1 (8130)


ID #		Qty
1	Ø1/4"*2-3/4" Bolt	8pcs


ID #		Qty
7	Ø5/16"*3-9/16" Bolt	8pcs

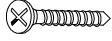
ID #		Qty
2	Ø1/4"*1-1/4" Bolt	12pcs

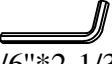
ID #		Qty
8	5/16"*1/2 " Lock Washer	8pcs

ID #		Qty
3	1/4"*2/5" Lock Washer	20pcs


ID #		Qty
9	5/16"*3/4" Flat Washer	8pcs

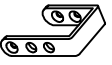
ID #		Qty
4	1/4"*3/4" Flat Washer	20pcs

ID #		Qty
10	#8*1-3/16" Wood Screw	14pcs

ID #		Qty
5	1/6"*2-1/3" 4mm Hex Wrench	2pcs

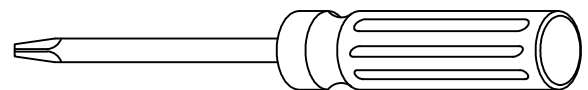
ID #		Qty
11	#8 * 5/8 Wood Screw	6pcs

ID #		Qty
6	Ø5/16"*9/16" Barrel Nut	8pcs

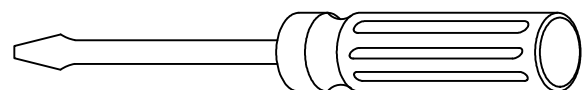
ID #		Qty
12	U-Hooker	2pcs

- . Power tools are not recommended for assembling your furniture.
- . Give yourself plenty of room to work.
- . Due to the size of this bed, it must be assembled within the space it will occupy.
- . The assembly will require at the least two people to complete.
- . Make sure all fasteners are tight.
- . Above all, take your time and read the instructions carefully.

Tools Required



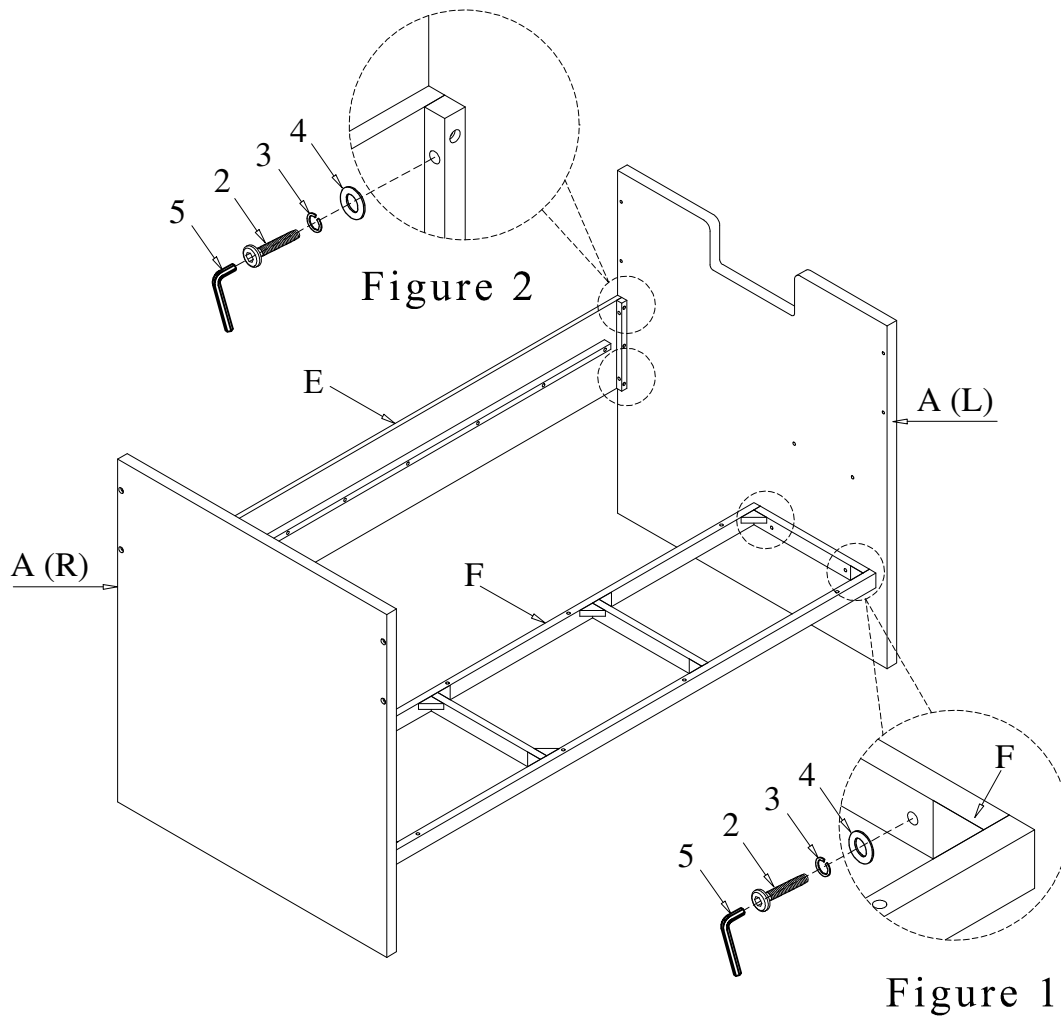
Phillip Head Screwdriver




Standard Head Screwdriver

Step 1


1. Select the side frame, back panel, bottom middle frame, as shown




Hardware Used In This Step

ID #		Qty
2	Ø1/4"*1-1/4" Bolt	8pcs

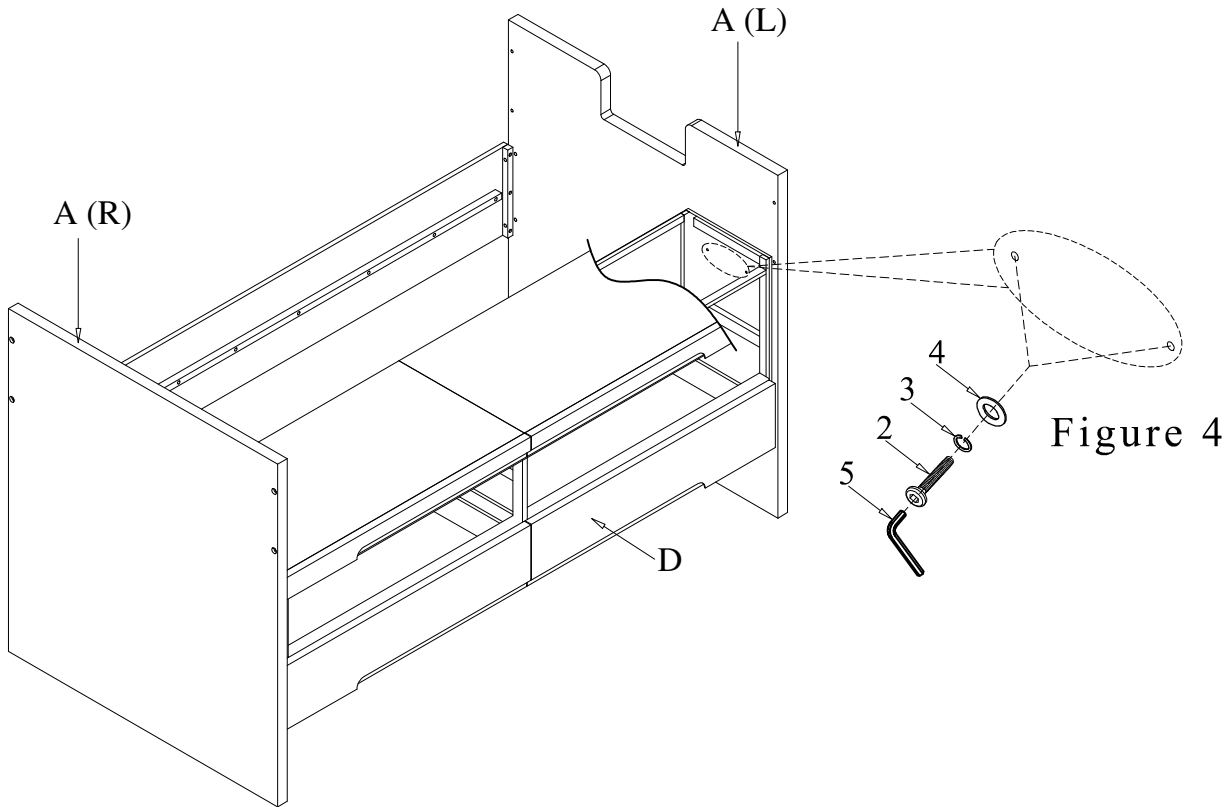
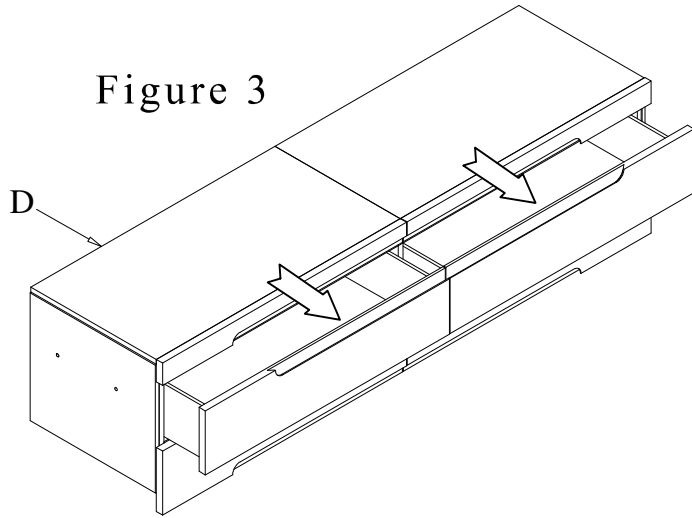
ID #		Qty
4	1/4"*3/4" Flat Washer	8pcs

ID #		Qty
3	1/4"*2/5" Lock Washer	8pcs


ID #		Qty
5	1/6"*2-1/3" 4mm Hex Wrench	1pc

Step 2


1. Take off the Drawers ,as shown(Figure3)
2. Use the hardware(2,3,4,5) to attach the storage box with both side frame as shown (Figure4)




Hardware Used In This Step

ID #		Qty
2	Ø1/4"*1-1/4" Bolt	4pcs

ID #		Qty
4	1/4"*3/4" Flat Washer	4pcs

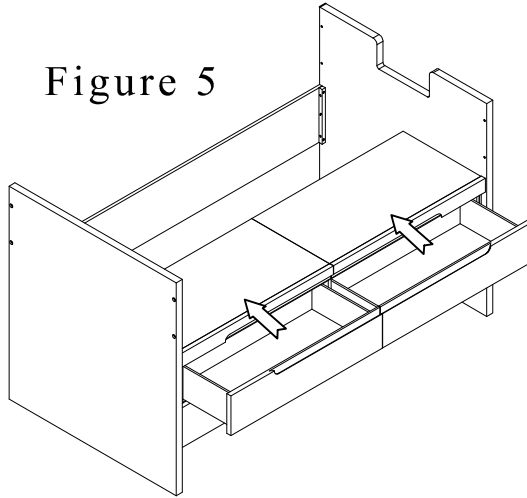
ID #		Qty
3	1/4"*2/5" Lock Washer	4pcs

ID #		Qty
5	1/6"*2-1/3" 4mm Hex Wrench	1pc

Step 3

1. Put the drawers back as shown (Figure 5)
2. Tighten the hardware (1, 3, 4, 5) from the bottom of middle frame as shown (Figure 6)

Figure 5



View of Bottom

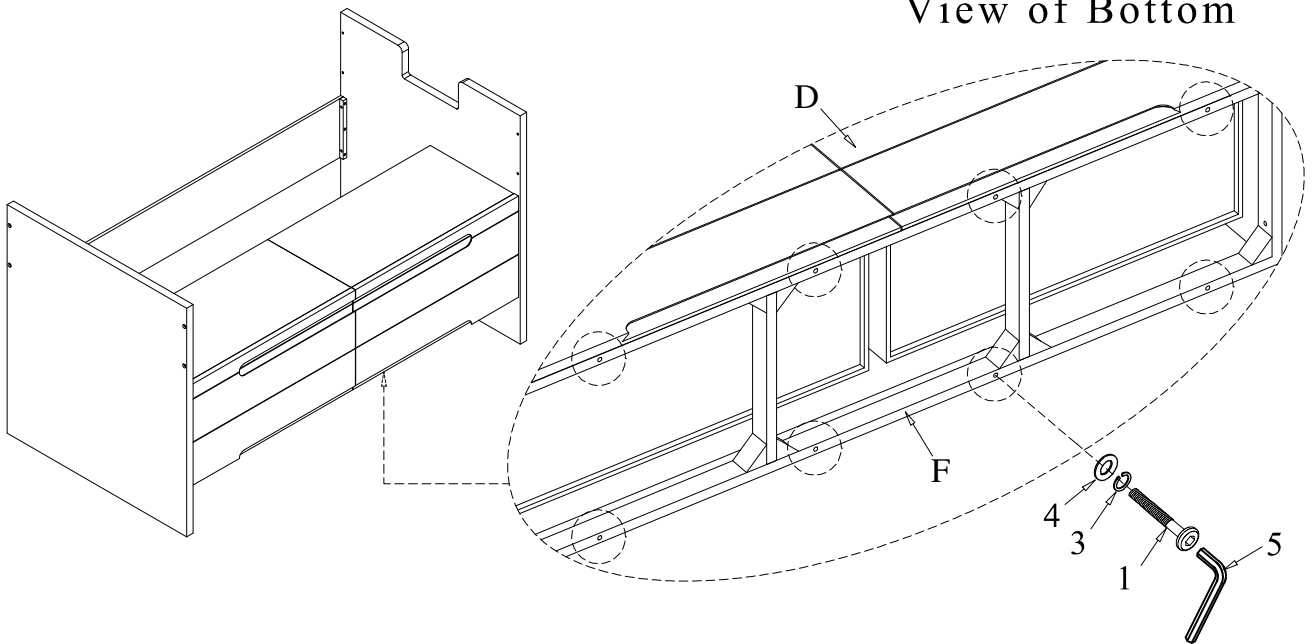




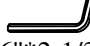
Figure 6

Hardware Used In This Step

ID #		Qty
1	Ø1/4" * 2-3/4" Bolt	8pcs

ID #		Qty
4	1/4" * 3/4" Flat Washer	8pcs

ID #		Qty
3	1/4" * 2/5" Lock Washer	8pcs

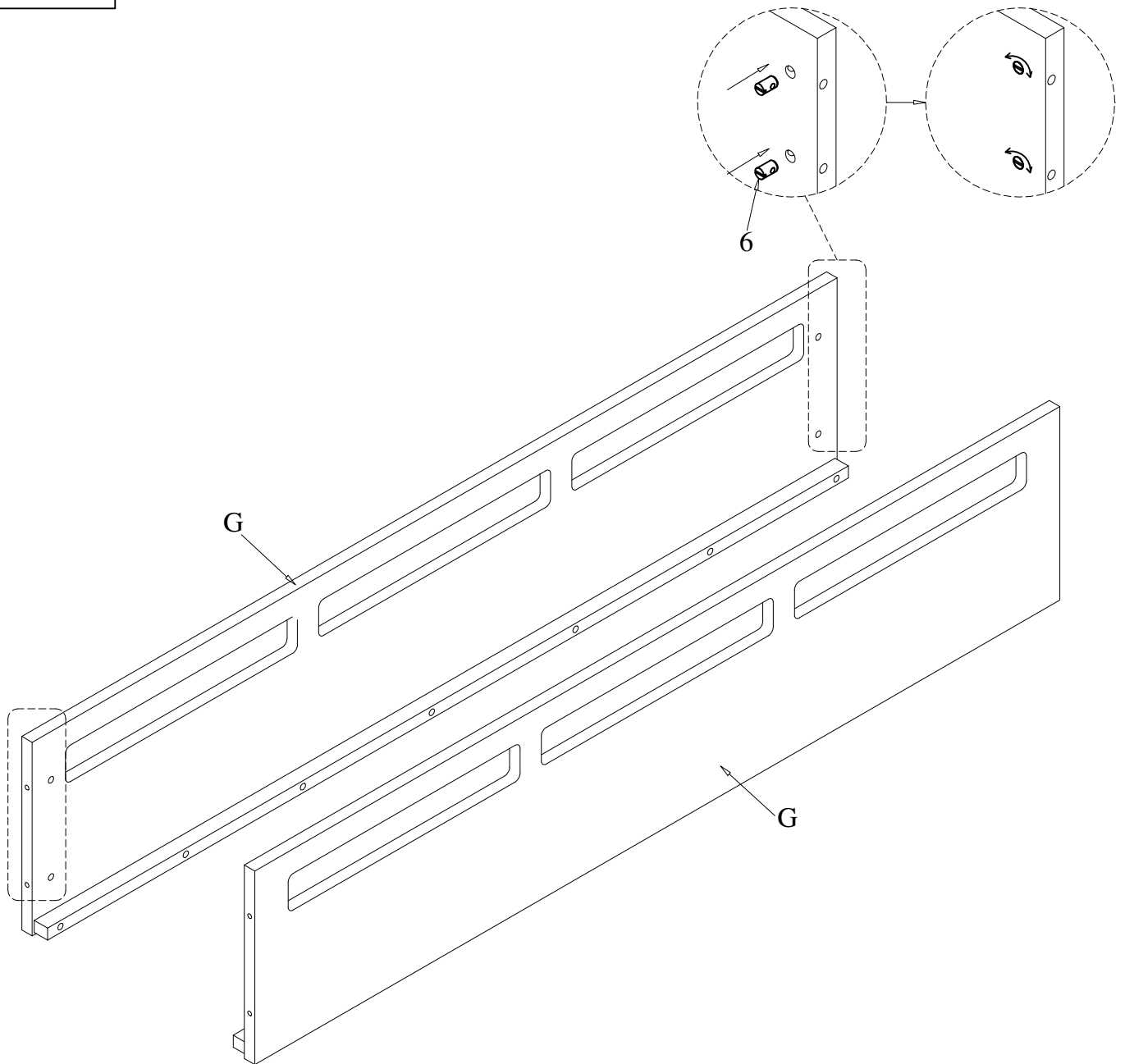
ID #		Qty
5	1/6" * 2-1/3" 4mm Hex Wrench	1pc

**Step
4**


1. Attach the side rails to both side frame as shown. (Figure 7) & (Figure 8)

Figure 7

Figure 8



Hardware Used In This Step

ID #		Qty
6	Ø5/16"*9/16" Barrel Nut	8pcs

Step 5

1. Select side rails, slats as shown. (Figure 9) & (Figure 10)

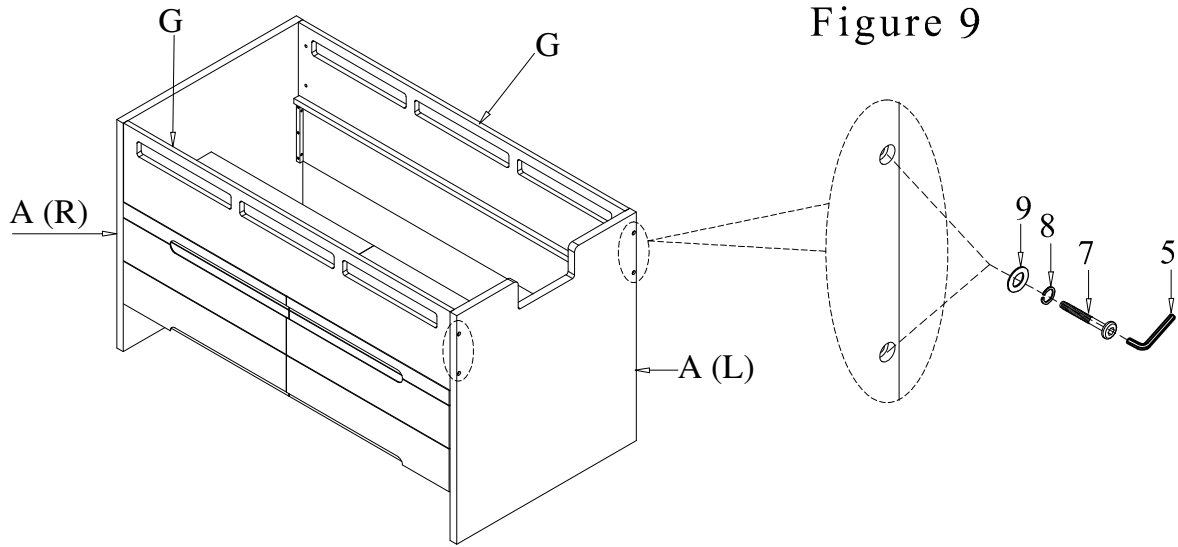


Figure 9

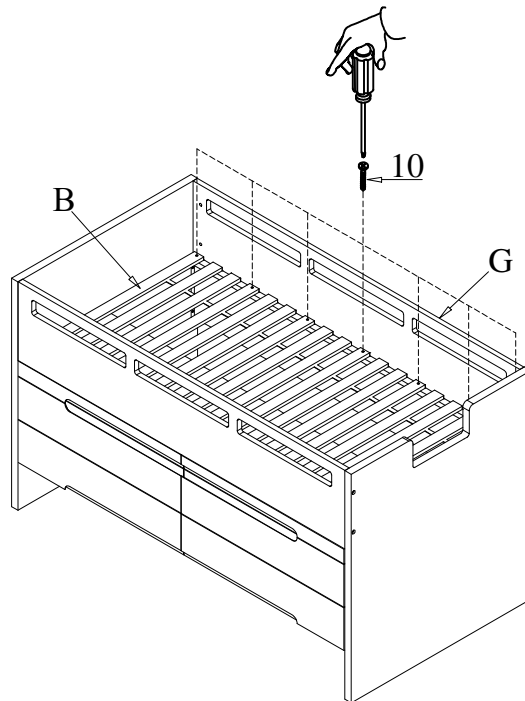



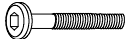
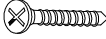


Figure 10

Hardware Used In This Step

ID #		Qty
8	5/16"*1/2" Lock Washer	8pcs
ID #		Qty
9	5/16"*3/4" Flat Washer	8pcs
ID #		Qty
5	1/6"*2-1/3" 4mm Hex Wrench	1pc
ID #		Qty
7	Ø5/16"*3-9/16" Bolt	8pcs
ID #		Qty
10	#8*1-3/16" Wood Screw	14pcs

Step 6

1. Attach the U-Hooker to the ladder as (Figure11)
2. Screw the ladder to side frame as (Figure12)

Figure 11

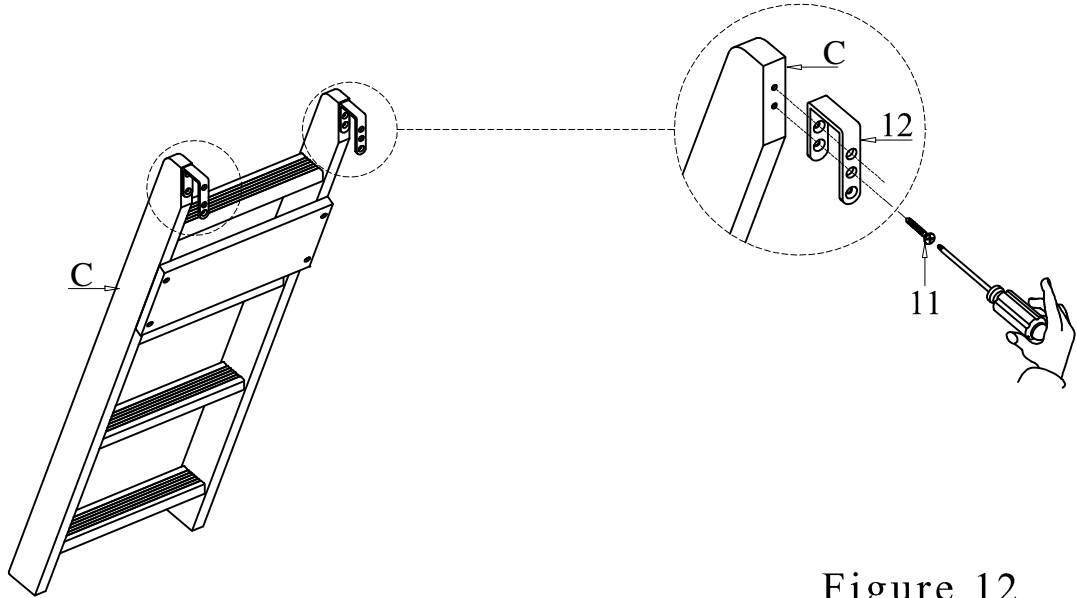
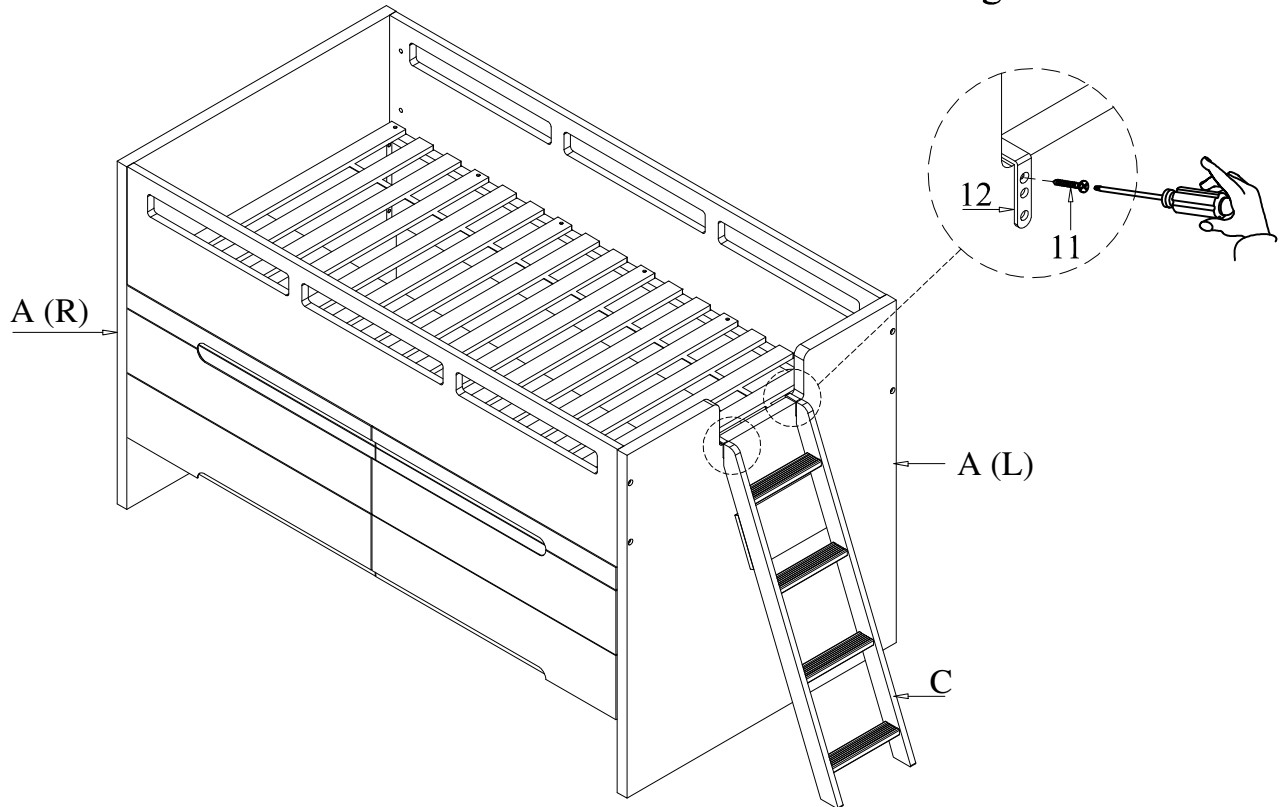
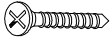



Figure 12



Hardware Used In This Step

ID # 11	 #8 *5/8" Wood Screw	Qty 6pcs
ID # 12	 U-Hooker	Qty 2pcs