

ASSEMBLY INSTRUCTIONS :

1500-120 LEG TABLE W TRAVERTINE INSERT

LEGACY
CLASSIC | MODERN

Thank you for purchasing this quality product. Before beginning, please check the packing material carefully for small parts which many have come loose inside the carton during shipping. Please do not discard any packing material until all parts have been located. If any parts are missing, please contact your dealer for prompt replacement.

Caution: (1) These parts are cumbersome and heavy. This product can best be assembled with the assistance of one or more persons in order to prevent personal injury and to insure parts are not damaged during the assembly process. If dirty, clean finished parts with mild dishwashing liquid and water solution applied on damp cloth. Cloth should not be excessively wet. Polish finish with soft cloth and an industry recognized furniture polish.

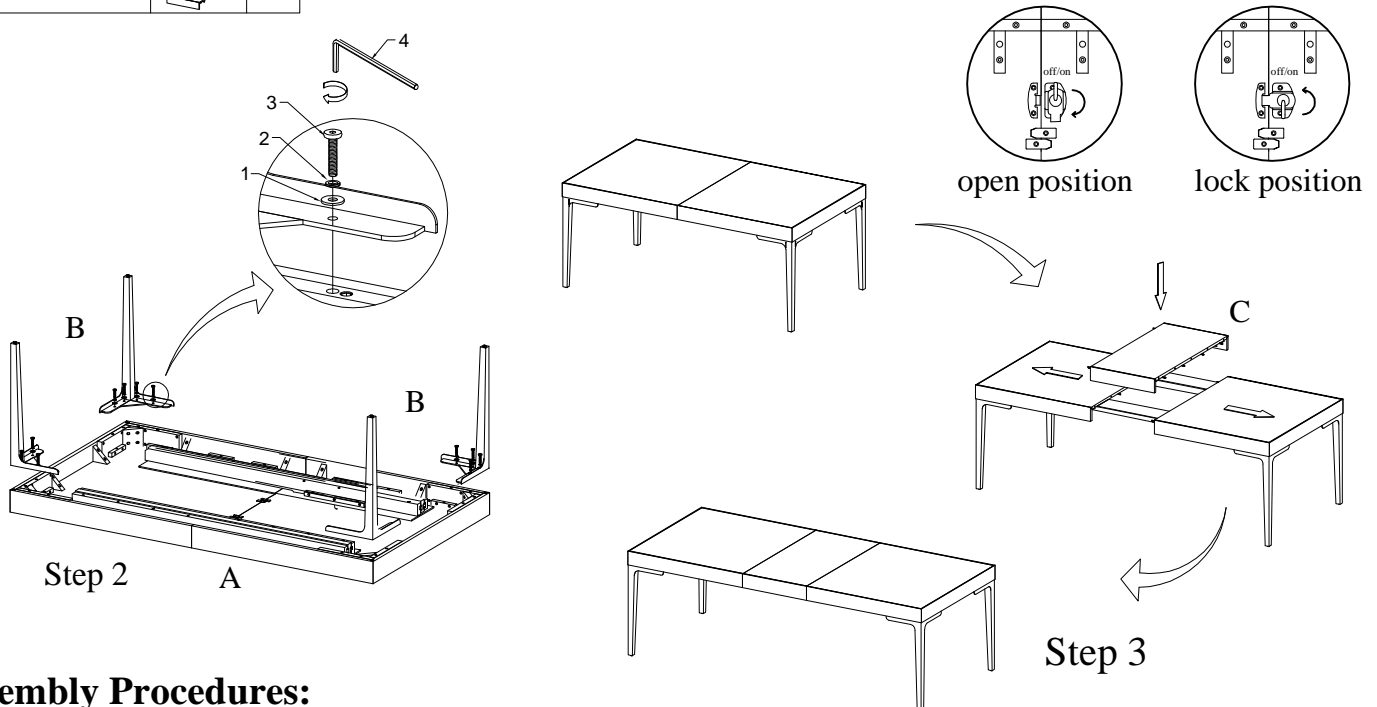
(2) To prevent damage to your floor or carpet, please check the bottom of each piece of furniture for stain residue and rough surfaces and also check for staples or nails left after removing the packaging material. The manufacturer will not be held responsible if preventative steps are not taken prior to installation.

(3) During normal use everyday, screws, bolts, nuts and wooden plugs may loosen up. They should be periodically inspected and re-tightened to prevent damage to the furniture and (or) personal property or cause injury. Always check to be sure all the hardware on this list and the below mentioned component are attached to the furniture properly and kept tightened.

Parts & Hardware List:

PART LIST	QTY
A TOP TABLE	1PC
B LEG	4PCS
C TOP EXTENSION	1PC

HARDWARE LIST	QTY	HARDWARE LIST	QTY
1 ALLEN BOLT	16 PCS	3 FLAT WASHER	16 PCS
2 LOCK WASHER	16 PCS	4 ALLEN WRENCH	1 PC



Assembly Procedures:

- Step 1 : Lay out all parts and hardware on a clean protective surface to protect the furniture and floor during assembly. Make sure the quantity of each is correct and the feet are free of stains, staples, screw and nails.
- Step 2 : Place the top table (A) on a clean soft surface such as a blanket and ensure the surface is clear of any object that could scratch or damage the top table. Assemble leg (B) to the top panel (A) using hardware (1,2,3,4) as shown.
- Step 3 : Place the table to its standing position. For top extension (C) installation, pull the table top to each side, then lock it as shown, assembly is complete.