

ASSEMBLY INSTRUCTIONS

1500-023 ENTERTAINMENT CONSOLE

LEGACY

CLASSIC | MODERN

Thank you for purchasing this quality product, Before beginning, please check the packing material carefully for small parts which may have come loose inside the carton during shipping. Please do not discard any packing material until all parts have been located. If any part are missing, please contact your dealer for prompt replacement.

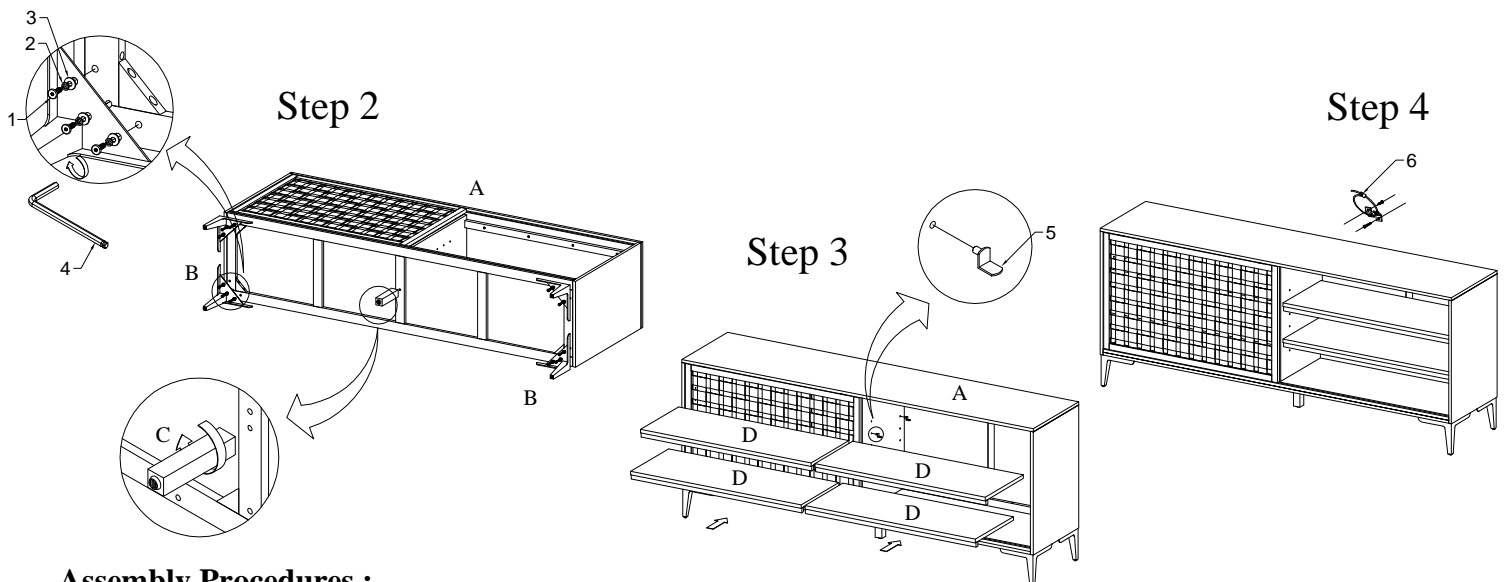
Caution: (1) These parts are cumbersome and heavy. This product can best be assembled with the assistance of one or more persons in order to prevent personal injury and to insure parts are not damaged during the assembly process. If dirty, clean finished parts with mild dishwashing liquid and water solution applied on damp cloth. Cloth should not be excessively wet. Polish finish with soft colth and an industry recognized furniture polish

(2)To prevent damage to your floor or carpet, please check the bottom of each piece of furniture for stain residue and rough surfaces and also check for staples or nails left after removing the packaging material. The manufacturer will not be held responsible if preventative step are not taken prior to installation.

(3) During normal use everyday,screws, bolts, nuts and wooden plugs may loosen up. They should be periodically inspected and re-tightened to prevent damage to the furniture and (or) personal property or cause injury. Always check to be sure all hardware on this list and the below mentioned components are attached to the furniture properly and kept tightened.

Part & Hardware List :

PART LIST		QTY	PART LIST		QTY	HARDWARE LIST		QTY	HARDWARE LIST		QTY
A	ENTERTAINMENT CONSOLE BOX	1PC	C	MIDDLE LEG	1PC	1	BOLT	12PCS	4	ALLEN WRENCH	1PC
B	LEG	4PCS	D	SHELF PANEL	4PCS	2	LOCK WASHER	12PCS	5	SHELF PIN	16PCS
						3	FLAT WASHER	12PCS	6	TIPPING-RESTRAINT	1SET



Assembly Procedures :

Step 1 : Lay out all parts and hardware on a clean protective surface to protect the furniture and floor during assembly. Make sure the quantity of each is correct and the feet are free of stains, staples, screw and nails.

Step 2 : Lay down entertainment console box (A) on a clean soft surface such as a blanket and ensure the surface is clear of any object that could scratch or damage the entertainment console, assemble leg (B) and middle leg (C) to the entertainment console box (A) using hardware (1,2,3,4) as shown.

Step 3 : Place the entertainment console back to its standing position with the leg assembled, and install shelf pin (5) on the inner side panel, put in shelf panel (D).

Step 4 : Installing tipping restraint (6), assembly is complete.