

ASSEMBLY INSTRUCTIONS

1370/1374-921 COUNTER HEIGHT TABLE

LEGACY

CLASSIC | MODERN








Thank you for purchasing this quality product. Before beginning, please check the packing material carefully for small parts which may have come loose inside the carton during shipping. Please do not discard any packing material until all parts have been located. If any parts are missing, please contact your dealer for prompt replacement.

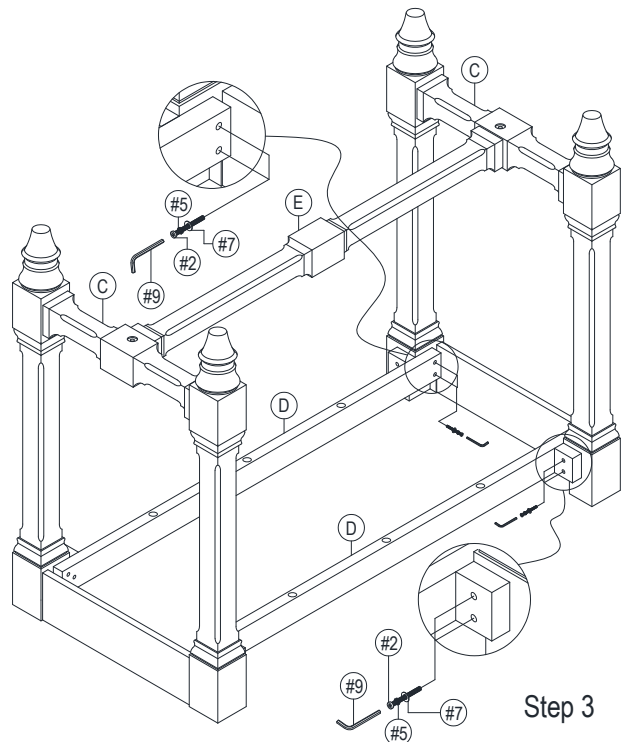
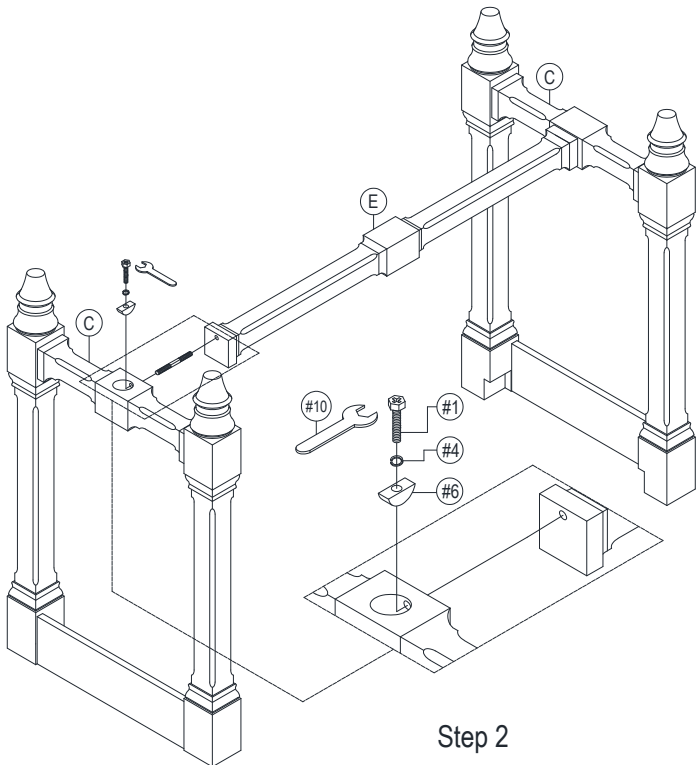
Caution: (1) These parts are cumbersome and heavy. This product can best be assembled with the assistance of one or more persons in order to prevent personal injury and to ensure parts are not damaged during the assembly process. If dirty, clean finished parts with mild dishwashing liquid and water solution applied on damp cloth. Cloth should not be excessively wet. Polish finish with soft cloth and an industry recognized furniture polish.

(2) To prevent damage to your floor or carpet, please check the bottom of each piece of furniture for stain residue and rough surfaces and also check for staples or nails left after removing the packaging material. The manufacturer will not be held responsible if preventative steps are not taken prior to installation.

(3) During normal use every day, screws, bolts, nuts and wooden plugs may loosen up. They should be periodically inspected and re-tightened to prevent damage to the furniture and (or) personal property or cause injury. Always check to be sure all hardware on this list and the below mentioned components are attached to the furniture properly and kept tightened.

Parts & Hardware List:

| NO | PARTS LIST | QTY. | NO. | HARDWARE LIST | QTY. | NO. | HARDWARE LIST | QTY. |
|----|------------|-------|-----|---|---|--------|--|---|
| A | TABLE TOP | 1 PC | #1 | ALLEN BOLT  1-1/2" L X 5/16" | 2 PCS | #2 | ALLEN BOLT  2" L X 1/4" | 16 PCS |
| B | TABLE LEAF | 1 PC | | #3 | | | ALLEN BOLT  2-1/2" L X 1/4" | |
| C | LEG FRAME | 2 PCS | #5 | | LOCK WASHER  1/4" | 22 PCS | #6 | CURVED WASHER  5/16" |
| D | APRON | 2 PCS | | #7 | FLAT WASHER  1/4" X 23mm | | | 16 PCS |
| E | STRETCHER | 1 PC | #9 | | ALLEN WRENCH  4mm | 1 PC | #10 | |

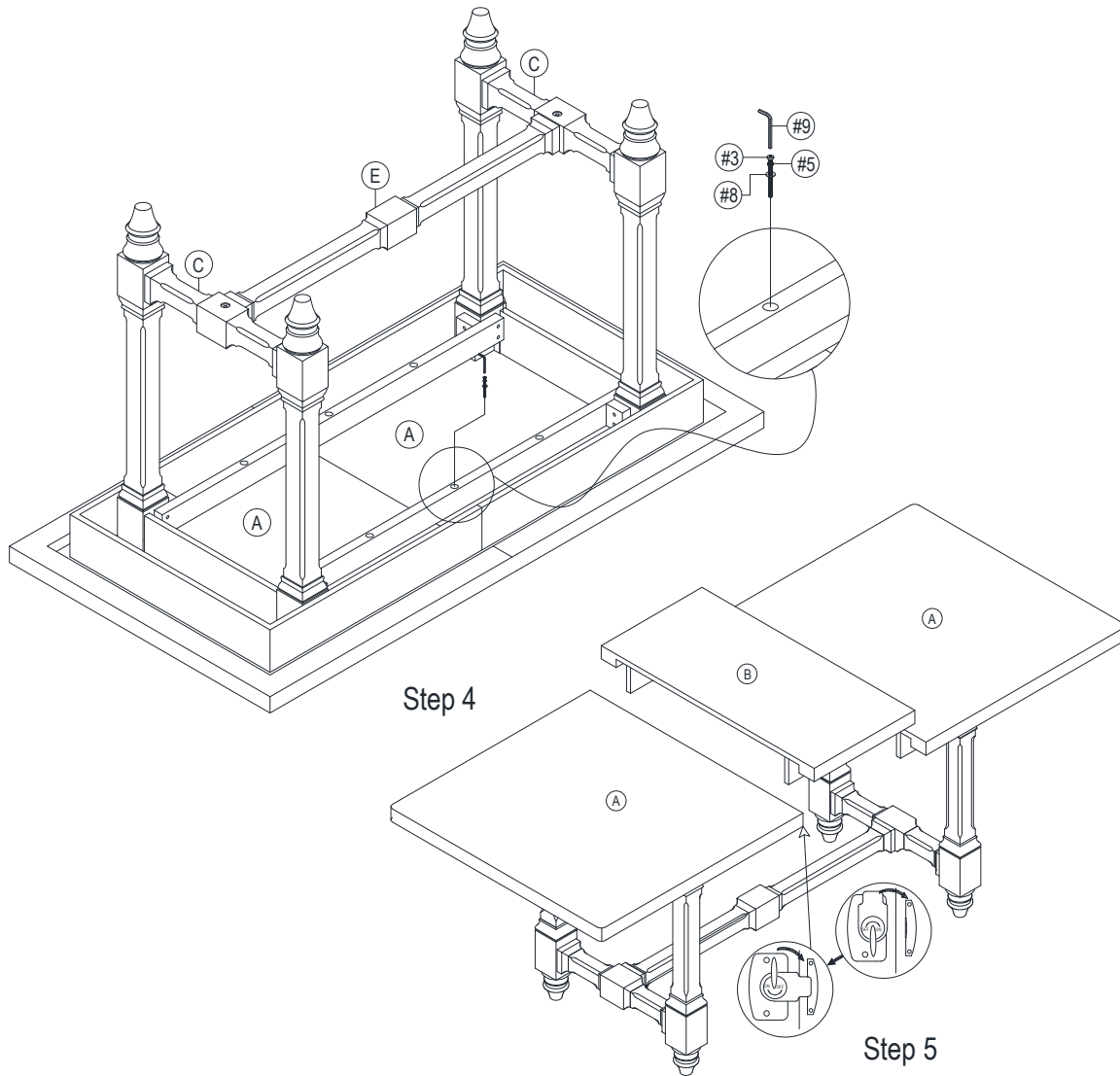


ASSEMBLY INSTRUCTIONS

1370/1374-921 COUNTER HEIGHT TABLE

LEGACY

CLASSIC | MODERN



Assembly Steps:

- Step 1: Lay out all parts and hardware on a clean protective surface to protect the furniture and the floor during assembly. Make sure the quantity of each is correct and all parts are free of stains, staples, screws, and nails.
- Step 2: Assemble the middle stretcher (E) to the leg frame (C) using hardware (#1, #4, #6, #10) as shown.
- Step 3: Assemble the apron (D) to the leg frame (C) using hardware (#2, #5, #7, #9) as shown.
- Step 4: Assemble the entire base to the table top (A) using hardware (#3, #5, #8, #9) as shown.
- Step 5: Turn the table to its upright position. Unlock the lock mechanism under the table top before pulling it apart and then carefully remove or insert the table leaf (B) as shown. Use the adjustable leveler necessary. Assembly is complete.

Assembly is complete.