

ASSEMBLY INSTRUCTIONS

0520-140 SIDE CHAIR

LEGACY CLASSIC

FURNITURE





Thank you for purchasing this quality product. Before beginning, please check the packing material carefully for small parts which may have come loose inside the carton during shipping. Please do not discard any packing material until all parts have been located. If any parts are missing, please contact your dealer for prompt replacement.

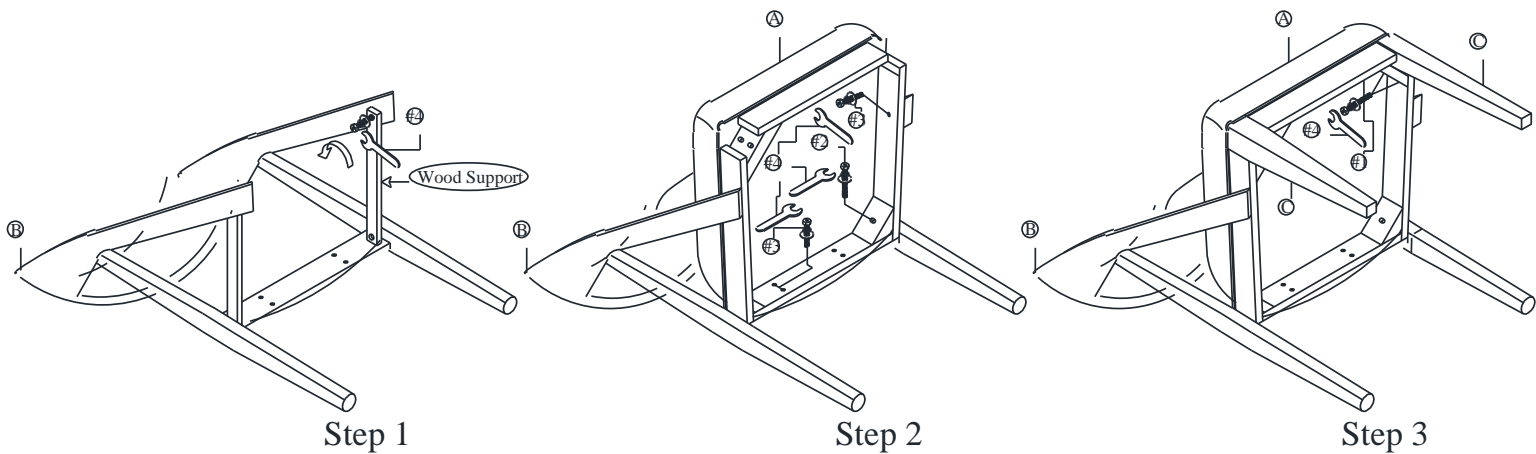
Caution: (1) These parts are cumbersome and heavy. This product can best be assembled with the assistance of one or more persons in order to prevent personal injury and to ensure parts are not damaged during the assembly process. If dirty, clean finished parts with mild dishwashing liquid and water solution applied on damp cloth. Cloth should not be excessively wet. Polish finish with soft cloth and an industry recognized furniture polish.

(2) To prevent damage to your floor or carpet, please check the bottom of each piece of furniture for stain residue and rough surfaces and also check for staples or nails left after removing the packaging material. The manufacturer will not be held responsible if preventative steps are not taken prior to installation.

(3) During normal use every day, screws, bolts, nuts and wooden plugs may loosen up. They should be periodically inspected and re-tightened to prevent damage to the furniture and (or) personal property or cause injury. Always check to be sure all hardware on this list and the below mentioned components are attached to the furniture properly and kept tightened.

Parts & Hardware List:

NO.	PARTS LIST	QTY.	NO.	HARDWARE LIST			QTY.
A	UPHOLSTERY SEAT CUSHION WITH WOOD FRAME	1 PC	# 1		2-1/2" L	BOLT + LOCK WASHER + FLAT WASHER ----- 5/16" Dia	4 SETS
B	CHAIR BACK FRAME WITH WOOD SUPPORT	1 PC	# 2		3" L	BOLT + LOCK WASHER + FLAT WASHER ----- 5/16" Dia	2 SETS
C	LEG	2 PCS	# 3		1-1/2" L	BOLT + LOCK WASHER + FLAT WASHER ----- 5/16" Dia	6 SETS
			# 4		12mm	OPEN WRENCH	1 PC



Assembly Procedures:

Tools required: Wrench #4 (see hardware list).

**Note: First read the chair leveling instructions. This is an additional assembly sheet found inside the carton. Place all chair parts on a clean, cushioned area to prevent scratching the furniture. Make sure the feet are free of stain, staples, screws and nails.

Assembly Steps:

Step 1: Remove the wood support from chair back frame (B).

Step 2: Remove the plastic cover on the upholstered seat. Assemble the seat frame (A) to the back frame (B).

Step 3: Assemble the leg (C) to the seat frame (A).

Assembly is complete.

** NOTE: Do not tighten all the bolts until the has been put on a flat surface to adjust & level all the legs so that they do not wobble. Once adjusted then tighten all the bolts. Do not over tighten.