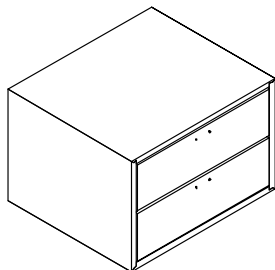
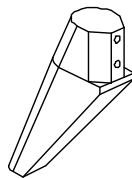


Product Assembly Instructions

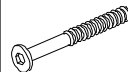
BALY-NS60-01



A: Chest x1



B: Leg x4



C: Bolt M6*60mm x8



D: Washer x8



E: Allen key x1

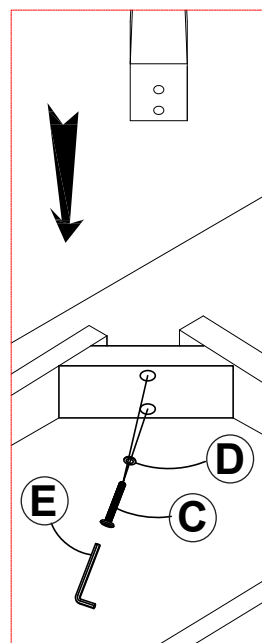
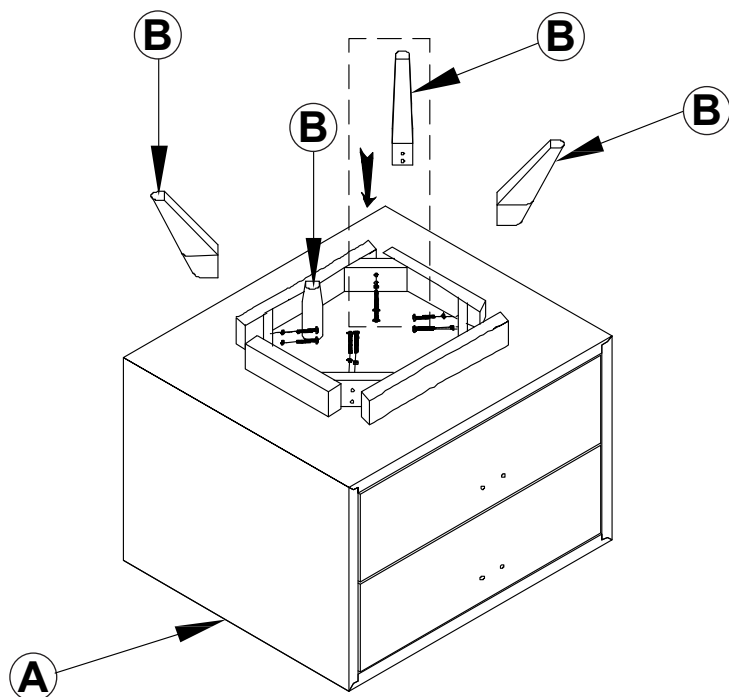


F: Handle x2

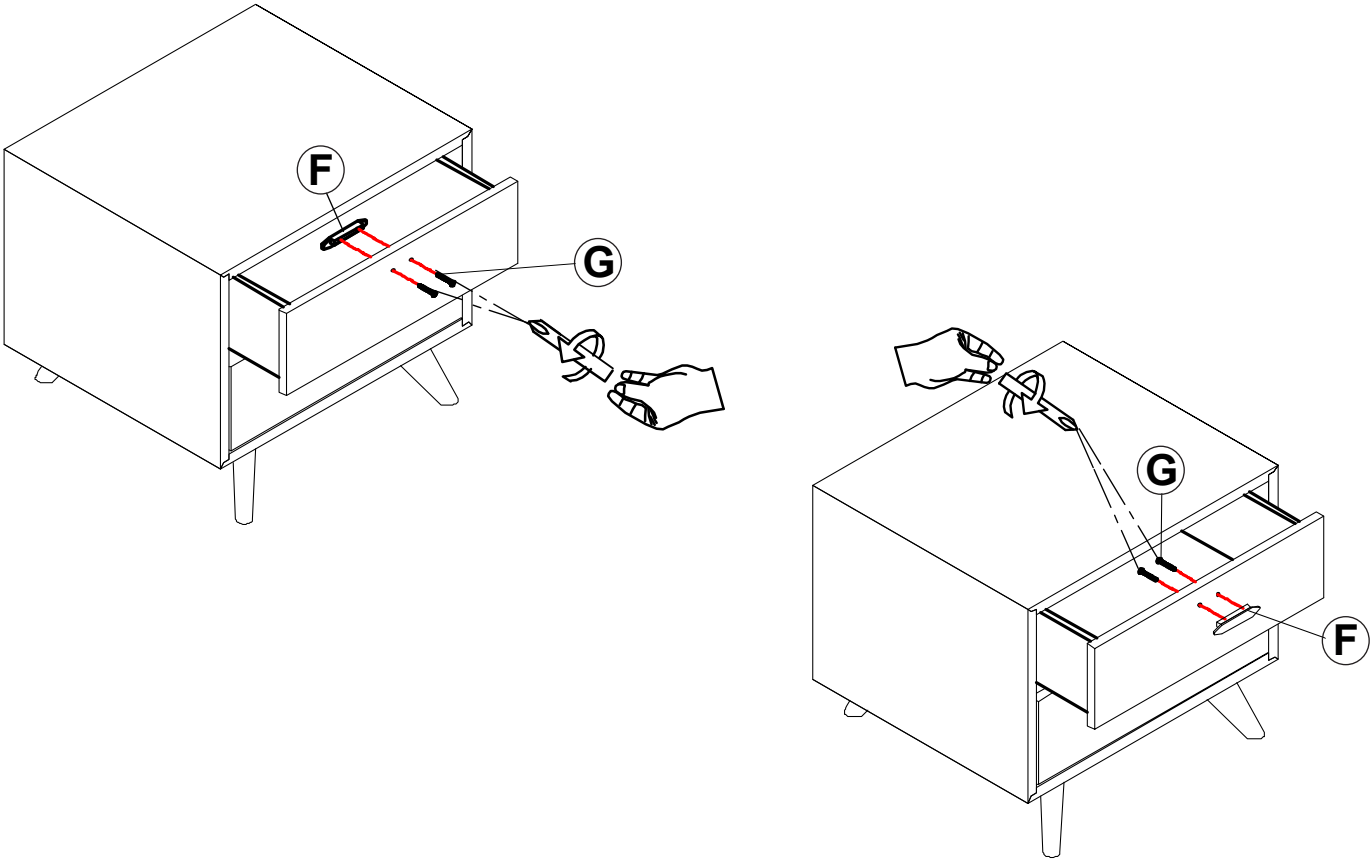


G: Screw M4*15mm x4

STEP 1



STEP 2



STEP 3

