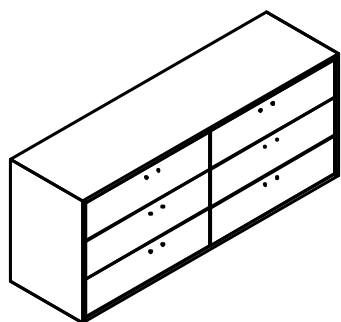
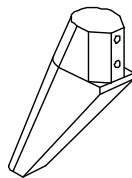


# Product Assembly Instructions

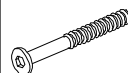
## LOFT-CH 160



A: Chest x1



B: Leg x4



C: Bolt M6\*60mm x8



D: Washer x8



E: Allen key x1

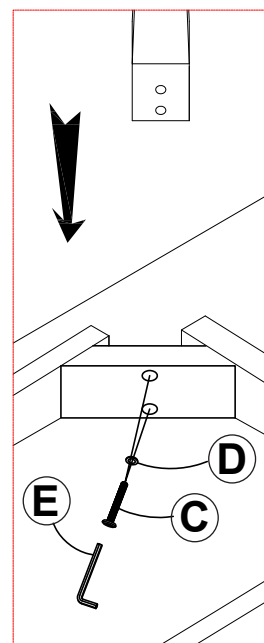
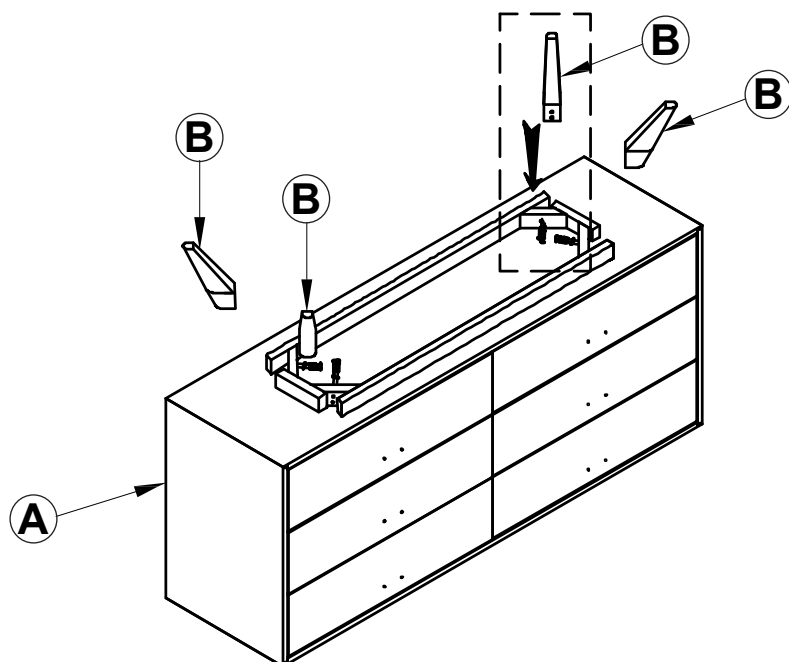


F: Handle x6

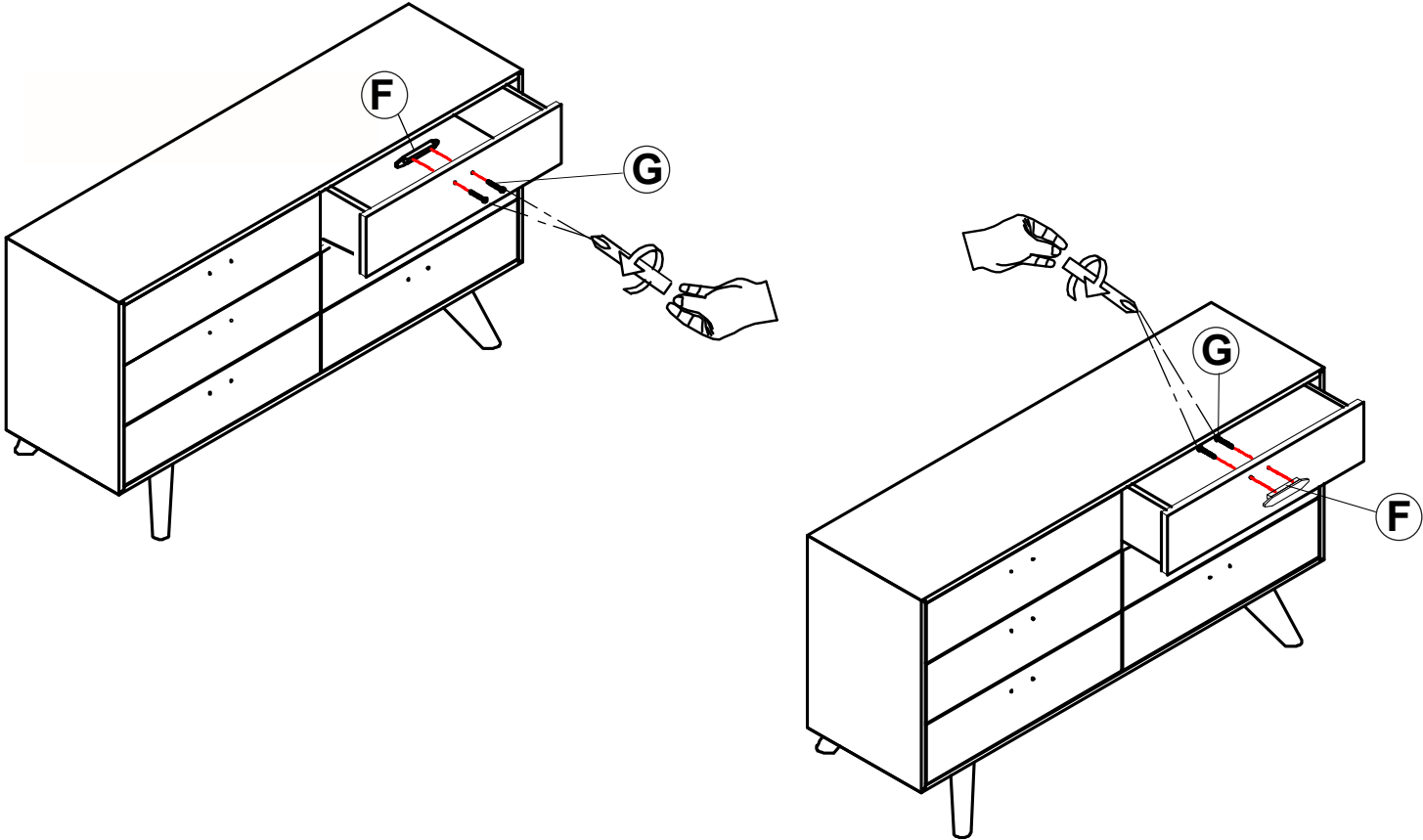


G: Screw M4\*15mmx12

### STEP 1



**STEP 2**



**STEP 3**

