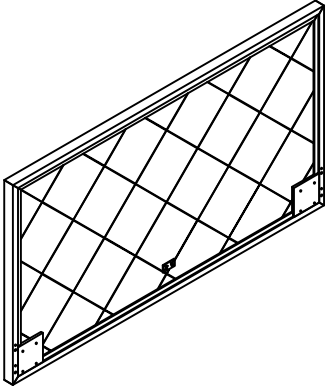
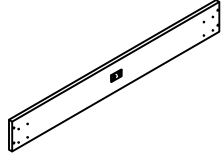
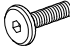



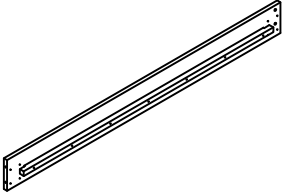
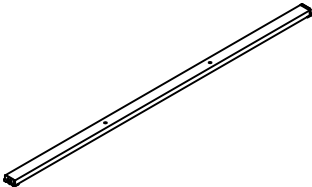


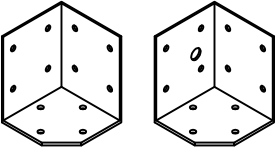




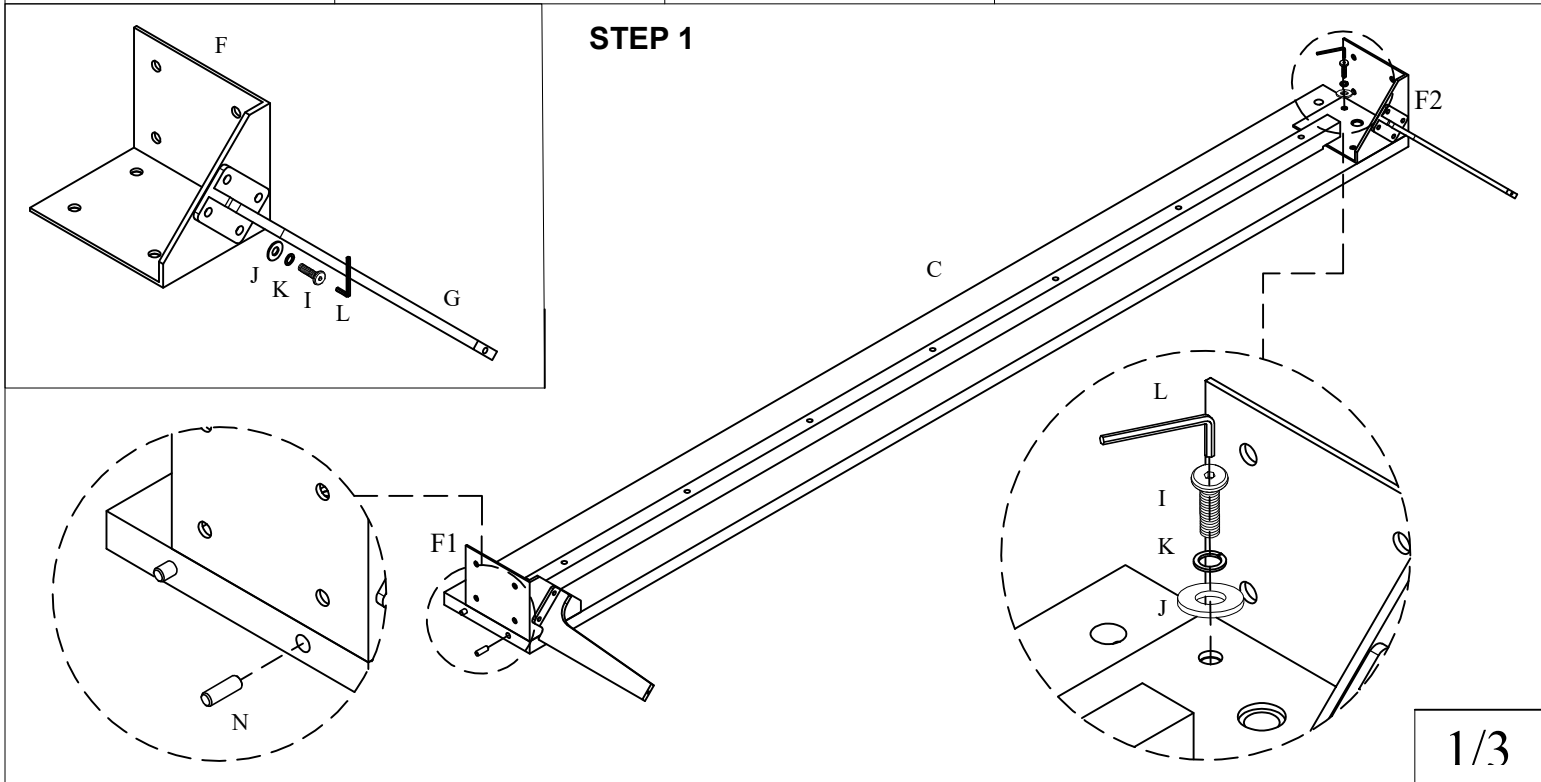
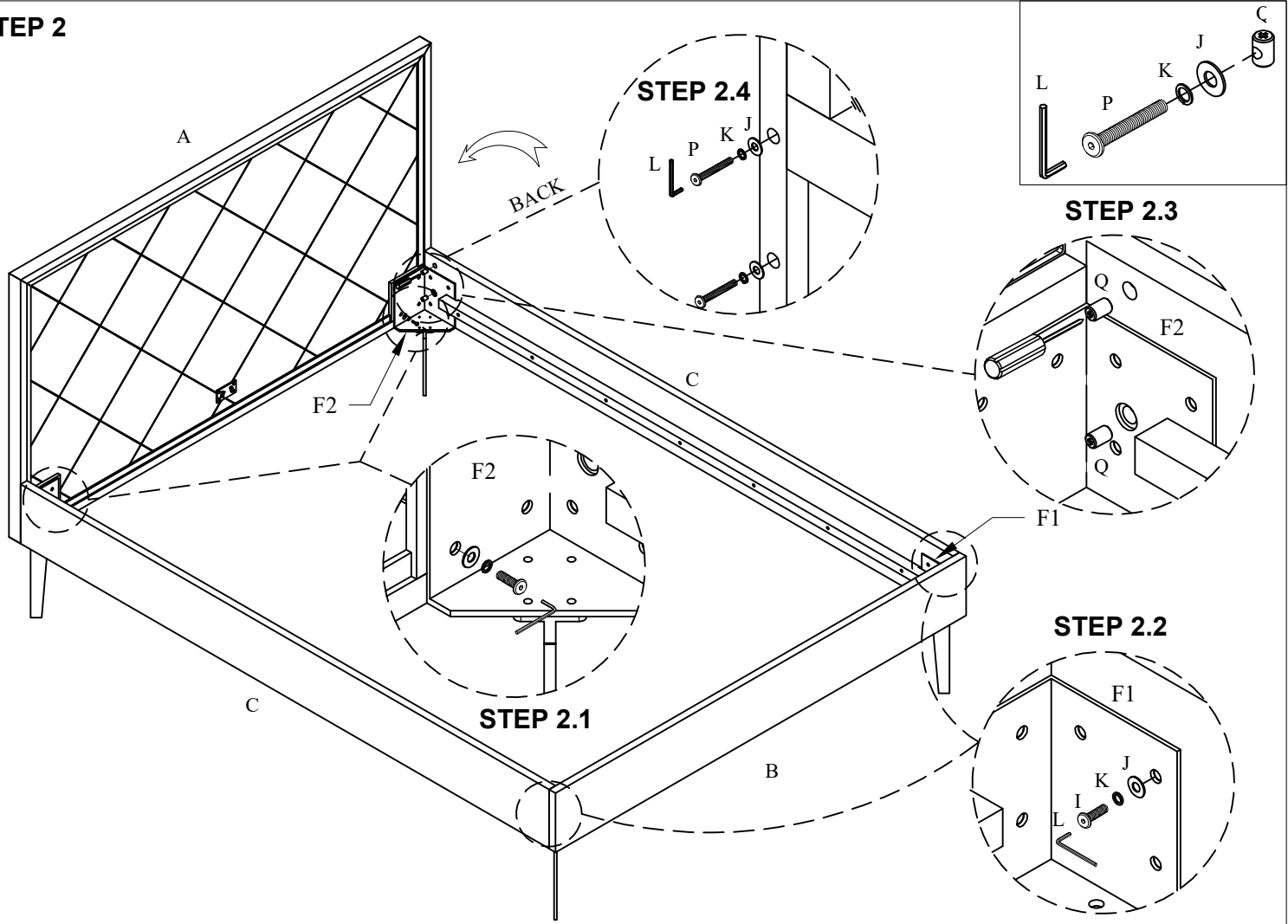


## LCCRBDOAQ

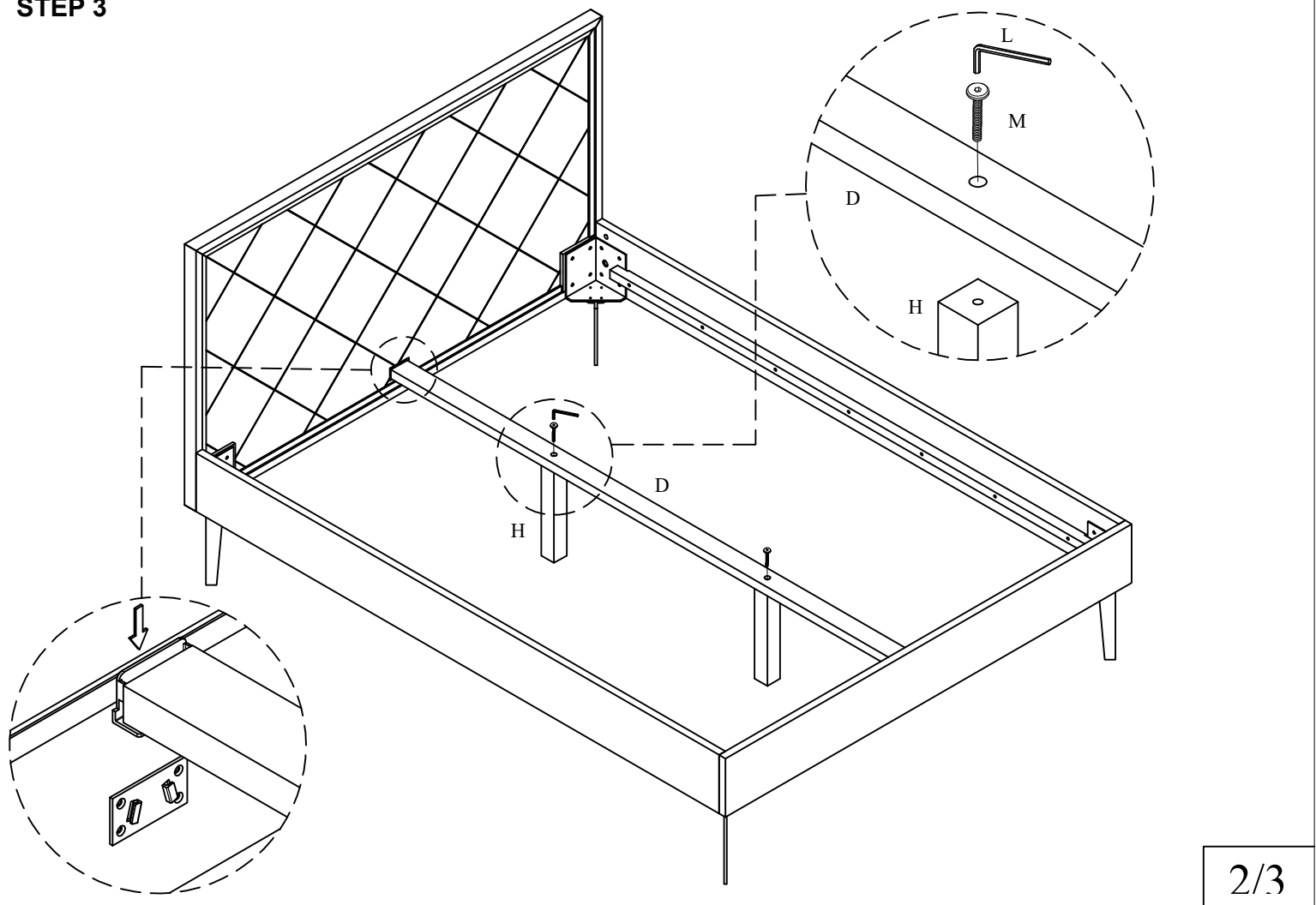
 <p>A: Head x 1</p>	 <p>B: End x 1</p>	 <p>I: Bolt M6*20mm x 48</p>
		 <p>J: Washer x 52</p>
		 <p>K: Washer x 52</p>
		 <p>L: Allen wrench x 1</p>
 <p>C: Side x 2</p>	 <p>D: Support x 1</p>	 <p>M: Bolt M6*35mm x 2</p>
		 <p>N: Dowel-wood x 8</p>
 <p>F1 x 2 F2 x 2</p> <p>F: Bracket x 4</p>	 <p>G: Leg x 4</p>	 <p>O: Screw M4x25 x 8</p>
		 <p>P-R: Bolt M6*90mm x 4</p>
		 <p>Q-S: Dowel M6*13 x 4</p>



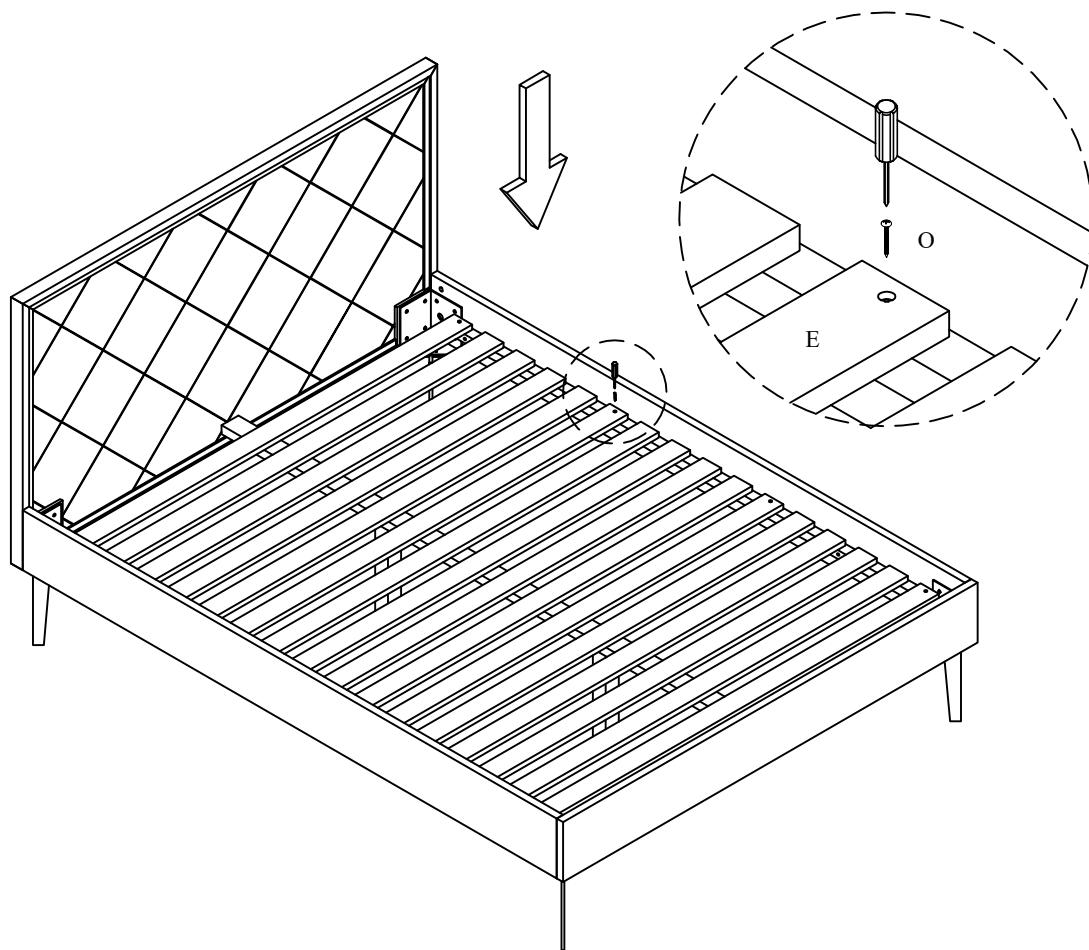
**STEP 2**



**STEP 3**



**STEP 4**



**FINISHED**

