

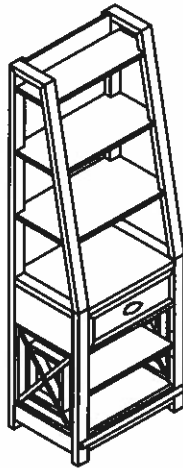


ITEM#: 422-EP00/HO201

DESCRIPTION: LEARNING BOOKCASE PIER

Thank you for purchasing this quality product. Be sure to check all packing material carefully for small parts, which may have come loose inside the carton during shipment. Identify and count all parts and compare with the parts list below.

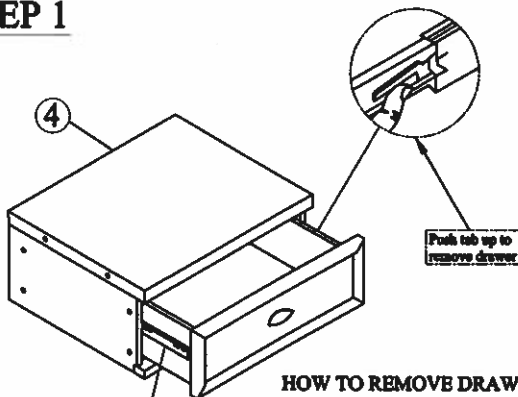
COMPLETED:



PARTS LIST

NO	DRAWING	DESCRIPTION	QTY
1		Left Frame	1
2		Right Frame	1
3		Bottom Panel	1
4		Drawer Box	1
5		Top Shelf	1
6		Second Shelf	1
7		Third Shelf	1
8		Bottom Shelf	1
9		Back Panel	1

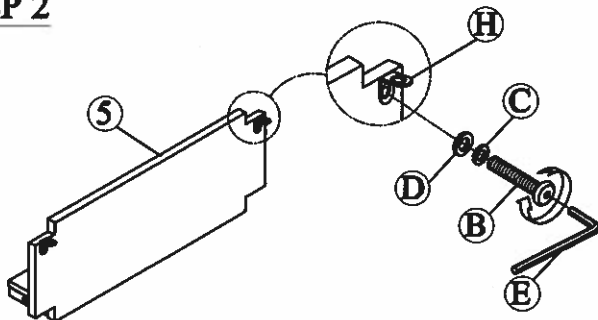
STEP 1



HARDWARES LIST

NO	DRAWING	DESCRIPTION	QTY
A		Bolt Ø1/4-20*38(L)	14
B		Bolt Ø1/4-20*15(L)	4
C		Spring Washer Ø1/4"*Ø13mm	18
D		Flat Washer Ø1/4"*Ø19*2mm	18
E		Allen Key 4mm	1
F		Tipping Restraint	1
G		Wood Dowel M10*30mm	4
H		L Shape 31*31*16	2
I		Shelf Pin	12
J		Screw M 3.5*15mm	12
K		Screw M 3.5*16mm	16

STEP 2



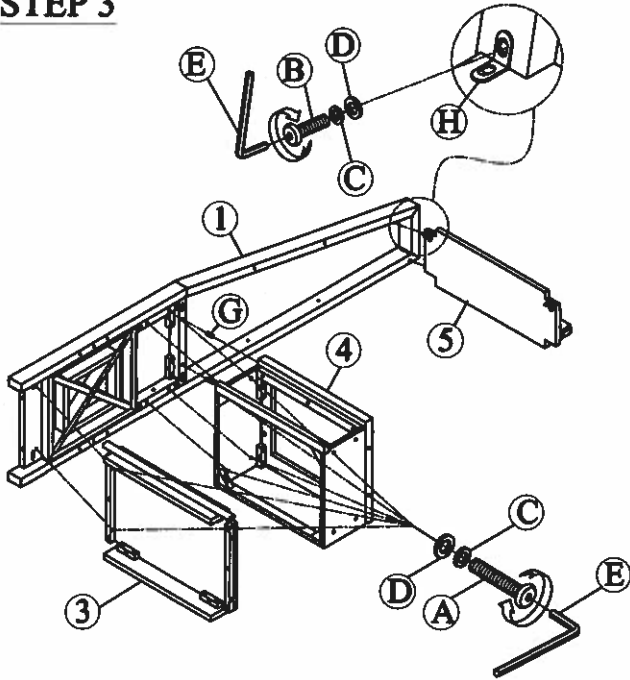


ITEM#: 422-EP00/HO201

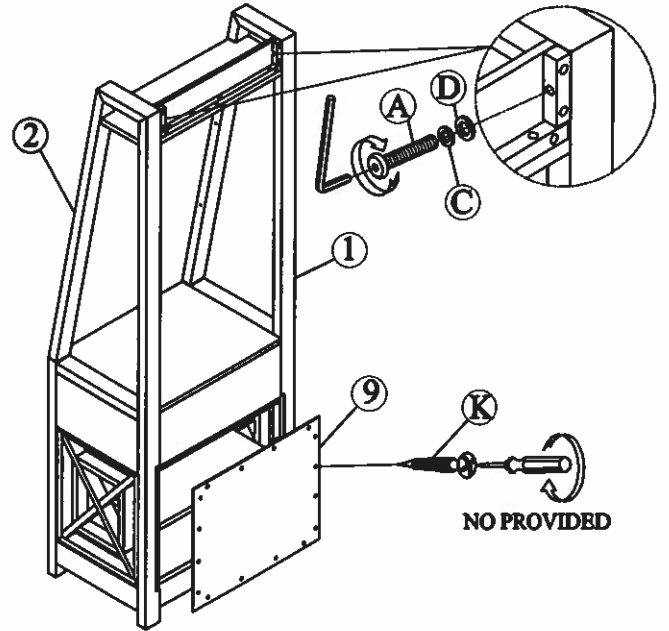
DESCRIPTION: LEARNING BOOKCASE PIER

Thank you for purchasing this quality product. Be sure to check all packing material carefully for small parts, which may have come loose inside the carton during shipment. Identify and count all parts and compare with the parts list below.

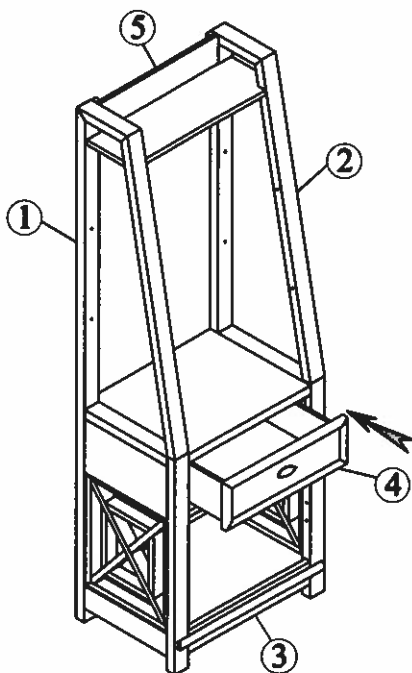
STEP 3



STEP 4



STEP 5



STEP 6

