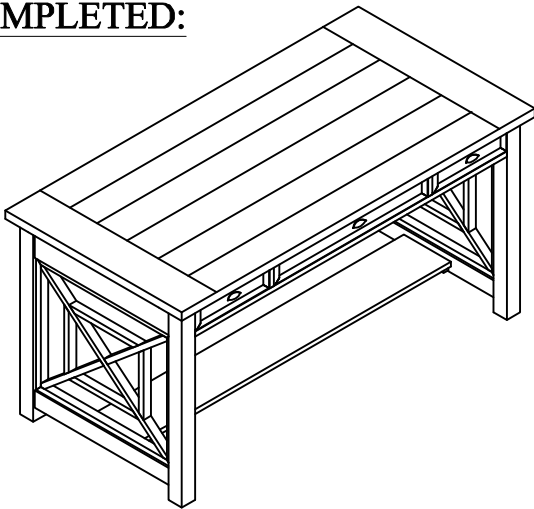




Thank you for purchasing this quality product. Be sure to check all packing material carefully for small parts, which may have come loose inside the carton during shipment. Identify and count all parts and compare with the parts list below.

COMPLETED:



PARTS LIST

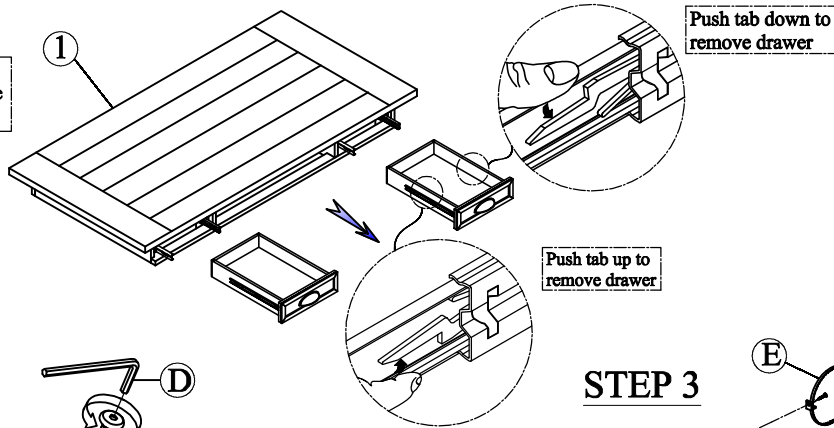
NO	DRAWING	DESCRIPTION	Q'TY
1		Table Top	1
2		Bottom Panel	1
3		Side Frame	2

HARDWARE	LIST 1	DESCRIPTION	Q'TY
A		Bolt Ø1/4-20*38(L)	12
B		Flat Washer Ø1/4"*Ø16*2mm	12
C		Spring Washer Ø1/4"*Ø13mm	12
D		Allen key M4	1
E		Tipping Restraint	1

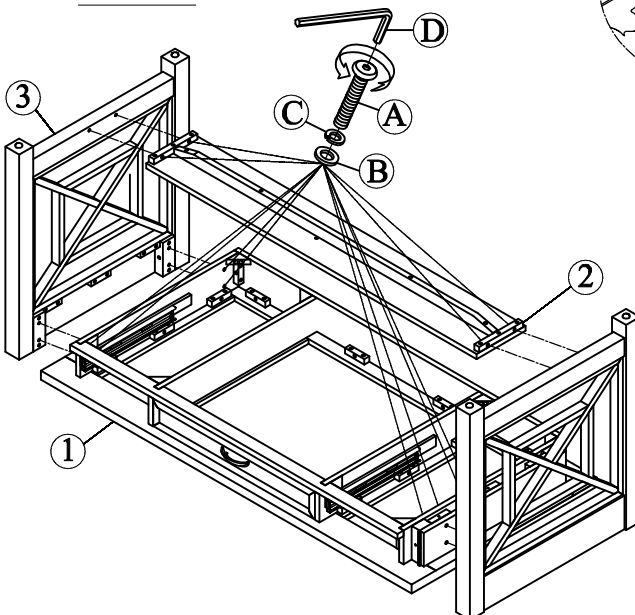
STEP 1

HOW TO REMOVE DRAWER

To remove drawer, simultaneously pull tab up on one side and push down on the other and remove drawer.



STEP 2



STEP 3

