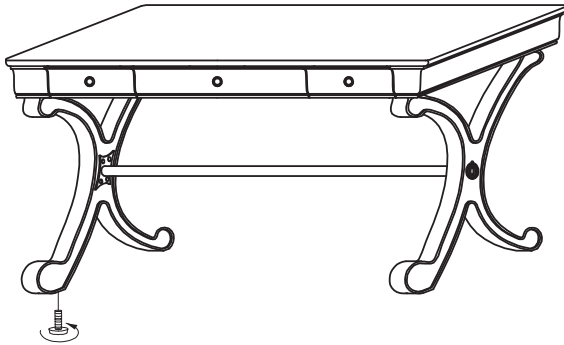


ASSEMBLY INSTRUCTION

378-HO107 Writing Desk

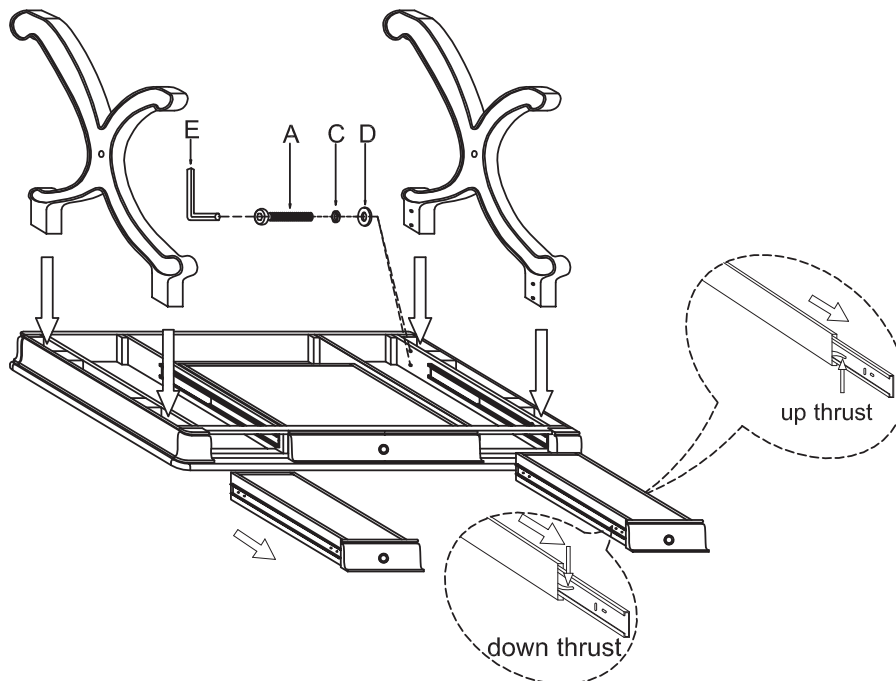
Thank you for purchasing this quality product. Be sure to check all packing material carefully for small parts which may have come loose inside the carton during shipment. Identify, count all parts and compare with below parts list.

Note: Please don't fasten the bolt tightly before attaching all bolts.

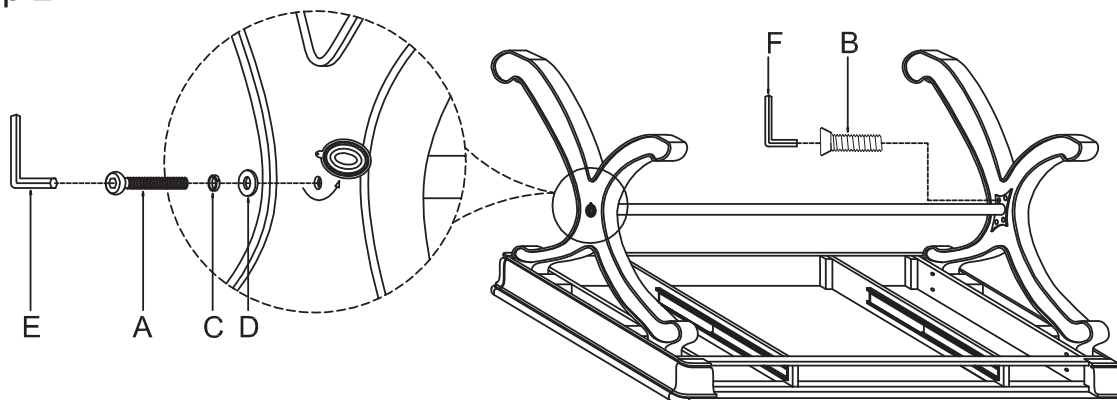


No.	Hardware			Q'ty
A		Bolt	Ø5/16"X2"L	10 PCS
B		Bolt	Ø1/4"X3/4"L	8 PCS
C		Spring Washer	Ø5/16"X13mm	10 PCS
D		Flat Washer	Ø5/16"X19mm	10 PCS
E		Allen Wrench	Ø5mm	1 PC
F		Allen Wrench	Ø4mm	1 PC

Step 1



Step 2



Cleaning Instructions: Clean the goods surface with furniture polish and a soft cloth.