



Liberty Furniture
INDUSTRIES, INC

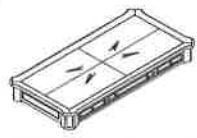

ASSEMBLY INSTRUCTION

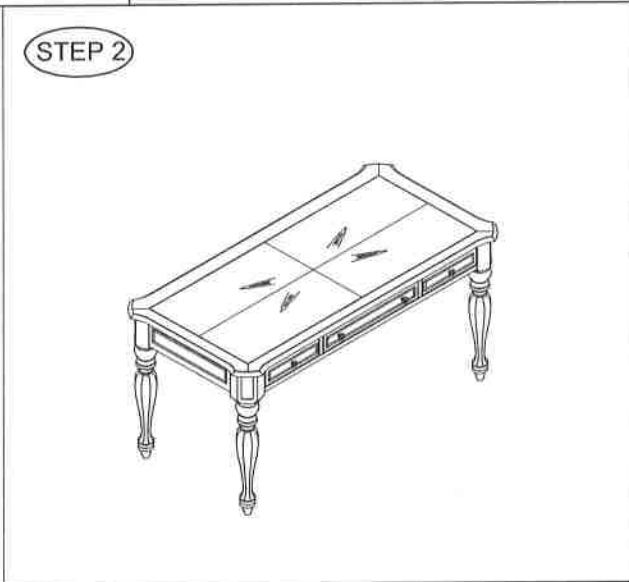
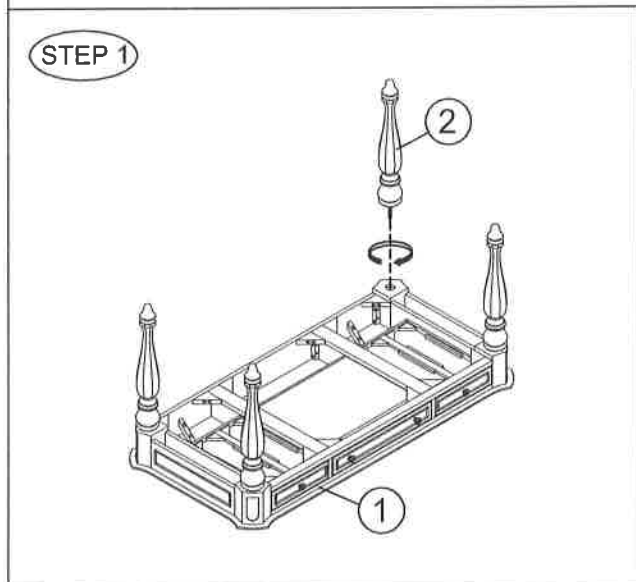
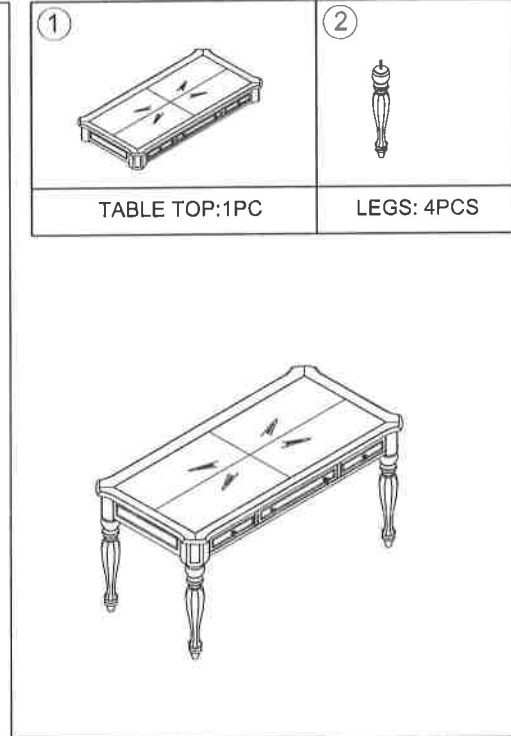
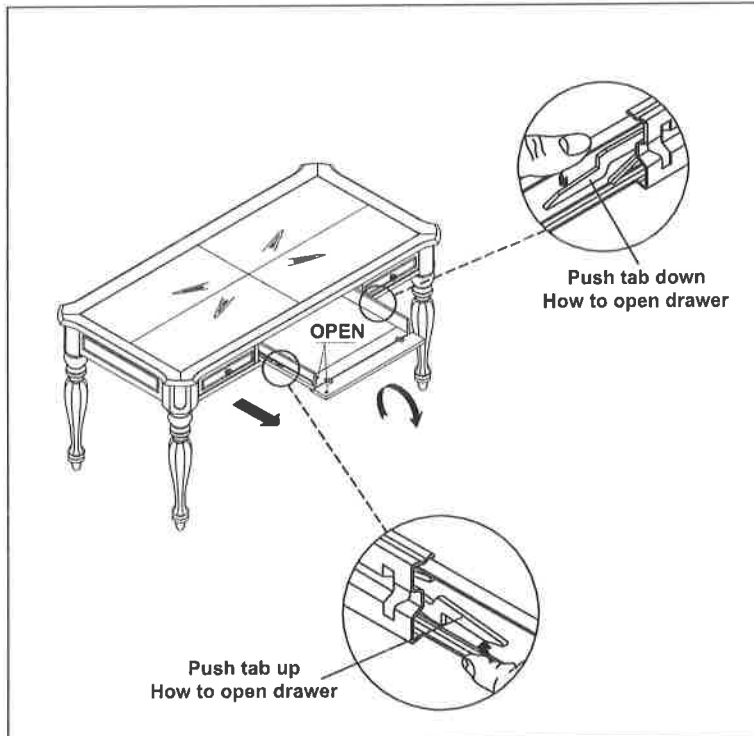
ITEM#: **244 - HO107**

DESCRIPTION: **WRITING DESK**

Thank you for purchasing this quality product. Be sure to check all packing material carefully for small parts which may have come loose inside the carton during shipment. Identify and count all parts and compare with the parts List Below:

PART LIST:

<p>①</p>  <p>TABLE TOP: 1PC</p>	<p>②</p>  <p>LEGS: 4PCS</p>
---	--



CLEANING INSTRUCTION

Clean the Writing Desk surface with a furniture polish and a soft cloth.

Made in VietNam